



T&S BRASS AND BRONZE WORKS, INC.
 2 Saddleback Cove / P.O. Box 1088
 Travelers Rest, SC 29690

Model No.

00KK

Item No.

Travelers Rest, SC: 800-476-4103 • Simi Valley, CA: 800-423-0150 • Fax: 864-834-3518 • www.tsbrass.com

This Space for Architect/Engineer Approval

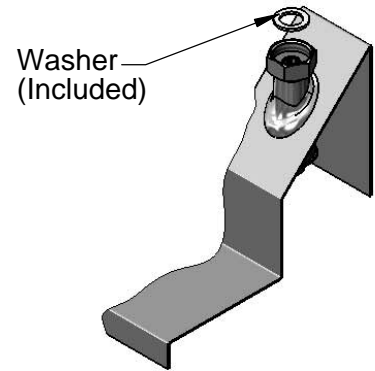
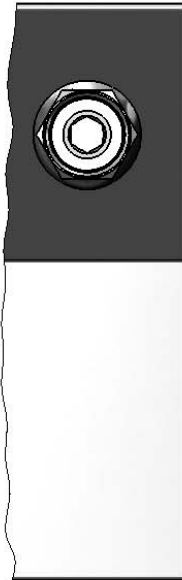
Job Name _____ Date _____

Model Specified _____ Quantity _____

Customer/Wholesaler _____

Contractor _____

Architect/Engineer _____



Washer
(Included)

Connects to Standard
T&S Base Faucets

1/4" [6mm]
Maximum
Thickness

$\phi 1 \frac{11}{16}$ "
[43mm]

45° Stainless
Steel Backsplash

Bottom Section of Flange
Secures to Underside of
Panel with Lock Nut &
Lock Washer

Dish Table Surface

4 1/2"
[114mm]

1/2" NPT
Male Inlet

Lock Nut & Lock Washer

Rough-In Requirement:
 $\phi 1 \frac{3}{8}$ " [35mm] Mounting Hole

Product Specifications:
1/2" NPT Male 45° Angle Flange

Drawn

KJG

Checked

DMH

Approved

JHB

Scale:

1:3

Date:

10/04/13