



# UNDERBAR REFRIGERATION



Use your smart phone to scan the above QR code to visit our website:  
[www.bk-resources.com](http://www.bk-resources.com)

Model:  
**BC-2-65**

## Bottle Cooler



\*Image does not show casters

### BC-2-65

- **Heavy Duty Construction**  
Durable stainless steel top & interior with a corrosion resistant black vinyl exterior.
- **Removable Bottle Cap Opener & Catcher**
- **Electronic control system**  
Allows for quick temperature adjustments and defrost frequency.
- **Eco-Friendly Hydro-Carbon Refrigerant**  
R290 Refrigerant with a nominal global warming potential rating.
- **Easy Access Condenser**  
Allows for easy service, even in tight spaces.
- **Holding Temp Range: 33°F to 38°F**
- **Adjustable Coated-Steel Dividers**
- **Comes with 4" swivel casters**
- **1 Year Parts & Labor Warranty**
- **5 Year Compressor Warranty**



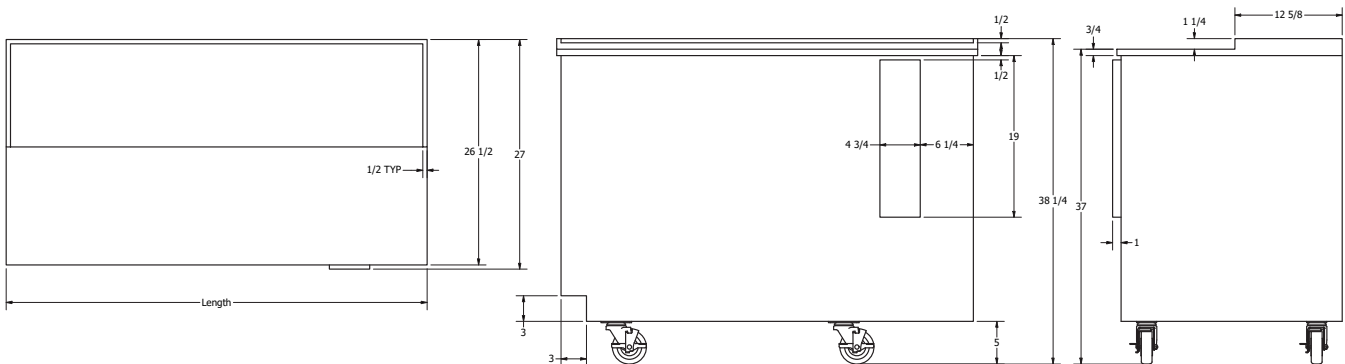
115/60/1  
Nema-5-15P



Commercial Use Only - Not warranted for residential use

Specifications subject to change without notice

Part Number	Doors	Dividers	Capacity 12 Oz Can (Cases)	Capacity 12 Oz Bottles (Cases)	AMPS	HP	Voltage	Nema Plug	Cord Length	Unit Size (in) (l x d x h)
BC-2-65	2	3	22	32	2.6	1/6	115/60/1	5-15P	8 Foot	64.5" x 27" x 38.25"



PRODUCT DATA SHEET

