

Data sheet ULWD-3

Constructive Features

- washing vat in AISI 304 thickness 20/10 equipped with removable walls in alimentary polyethylene. Easily double removable bottom in AISI 304 with skirted holes to not damage the products, to let easier the bottom vat inspection
- the vat bottom is shaped for a complete download of water and washing residuals
- overflow with removable filter in AISI 304
- exterior cladding in AISI 304 (thick 10/10)
- carrying structure in AISI 304 (thick 20/10)
- adjustable feet in stainless steel AISI 304 to ensure levelling

Functional Features General

- the washing vat is predisposed to be sectioned by walls in alimentary polyethylene, easily to remove and to put on frontal panel. this system permits to work different kind of products in the same time sparing time, energy and human costs
- automatic water filling controlled by level probe and electromagnetic switch
- whirlpool generated by nozzles (one per section) with washing intensity controlled by stainless steel handle connected to the pump group. washing time regulated by timer on panel board (0-5 min)
- limpid Water function permits a complete cleaning of vat bottom after the working cycle to avoid manual operation. This assures a perfect clean water for the next cycles
- integrated cleaning shower

Panel Board Functions

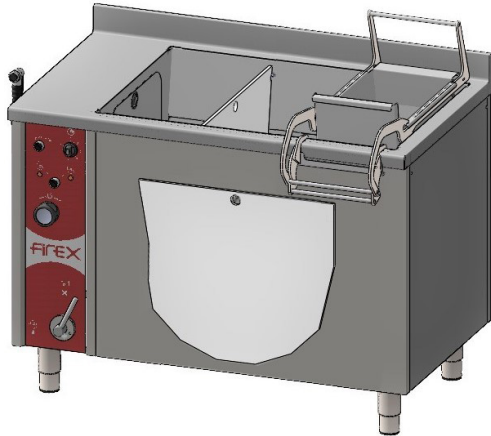
- ON/OFF switch
- cleaning ON/OFF switch
- automatic water filling
- whirlpool regulation
- washing timer (0 - 6 min)
- ON/OFF Limpid Water function
- vat drain

Display/Signal

- electric tension light

Safety System

- thermo protection of washing pump
- protection IPX5



Optionals

- NOT PRESENT

Accessories

- ULWAC0010 - TILTING BASKET 1 SECTOR LWD
- ULWAC0020 - TILTING BASKET 2 SECTORS LWD

Planner

.....

.....

.....

.....

.....

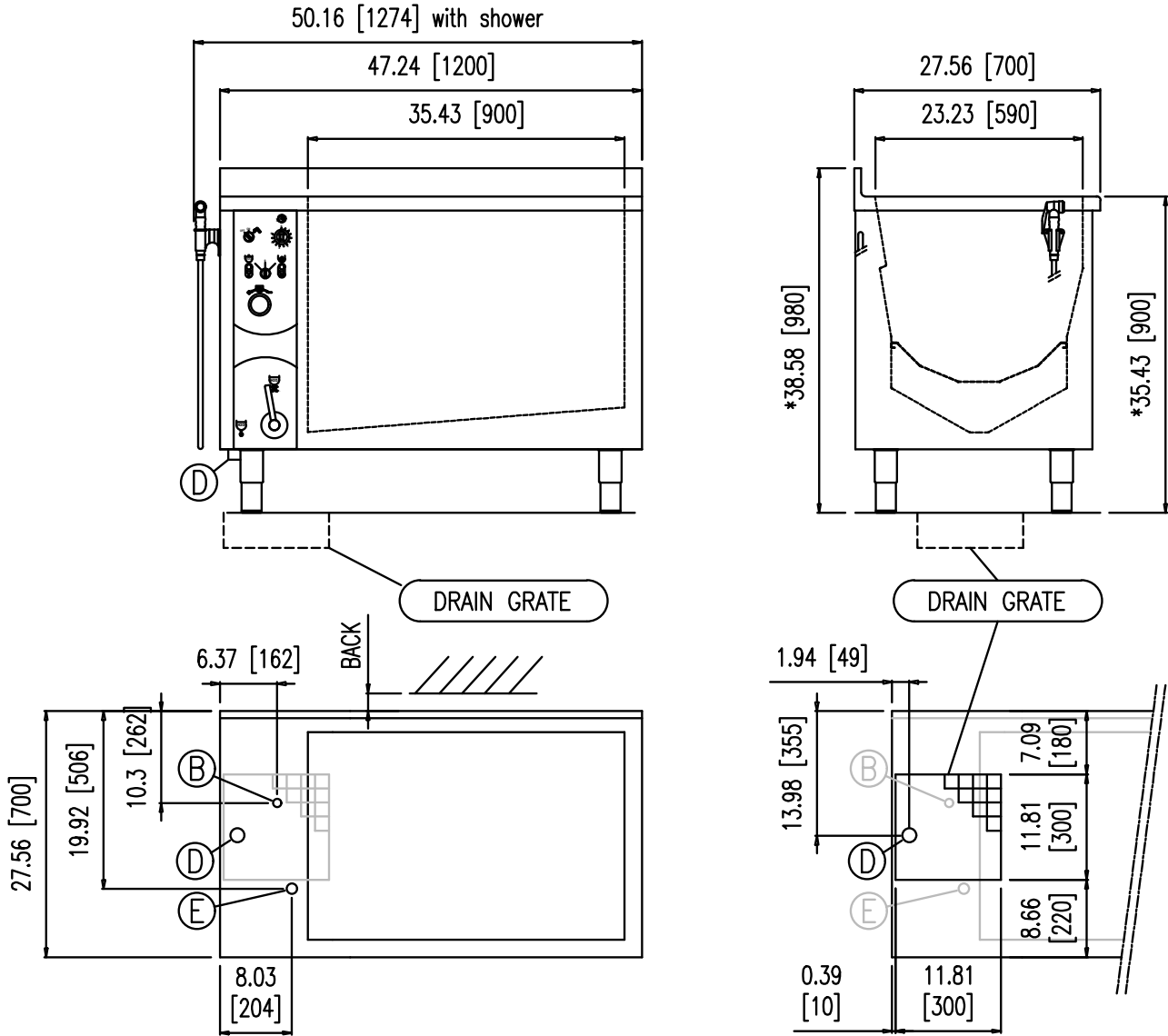
.....

.....

.....

.....

.....



Dimensions weights and capacities

Width	47 1/4 inch	Capacity	60 gal	Vegetables	22 / 88 lbs
Depth	27 1/2 inch	Weight	287 lbs	light/heavy load	
Height	38 5/8 inch	Number of baskets	3		

Water connection

Water pressure	25-50 PSI	Cold water inlet (B)	3/4"	Water drain (D)	Ø 1 5/8 Inch
----------------	-----------	----------------------	------	-----------------	--------------

Electrical connection

STD Voltage (E)	3 PHASE 220-240V ~ 60Hz	Electric power	2,50 kW	Current	6.0 A
OPT Voltage (E)	3 PHASE 208V ~ 60Hz	Electric power	2,30 kW	Current	6.3 A
OPT Voltage (E)	3 PHASE 460-480V ~ 60Hz	Electric power	2,80 kW	Current	3.3 A