

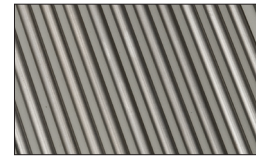


ICB-4836

Chicken Broiler shown with optional heat deflector.

Model Numbers

- ICB-4836
- ICB-6036
- ICB-4827
- ICB-6027



**NON-STICK ROUND ROD
TOP GRATE IS DESIGNED
FOR CHICKEN.**

BURNER SYSTEM

- High production stainless steel burners.
- 50,000 BTU (15 KW) per burner on 36" (914 mm) deep models.
- 40,000 (12 KW) BTU per burner on 27" (686 mm) deep models.
- Fast heat recovery for high production in peak hours.

TOP GRATE

- Non-stick round rod grate is designed specifically for chicken.
- Large broiling surface for high capacity.
- 36" and 27" (914 x 686 mm) grate depths and 48" and 60" (1219 x 1524 mm) widths available.
- 36" (914 mm) deep broiling surface will hold 15 three pound chickens.
- No tools are needed to remove grates for cleaning.

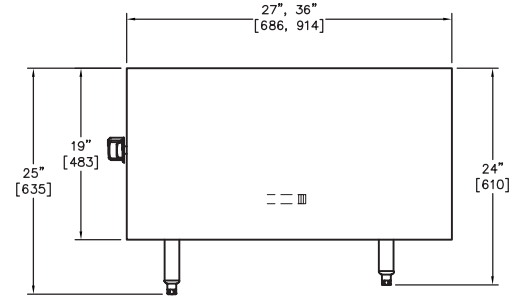
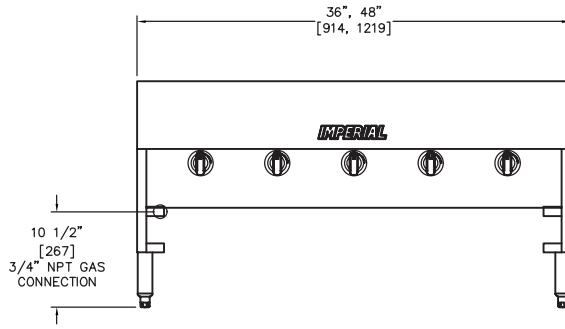
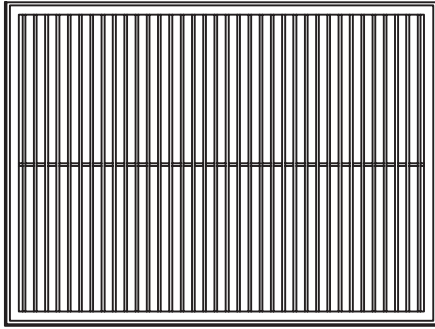
EXTERIOR FEATURES

- Stainless steel front, sides and landing ledge for cleanability and professional look.
- Welded and polished stainless steel seams.
- Control knobs are durable die cast metal for long life.
- One year parts and labor warranty.



GAS

BROILERS | CHICKEN



CHICKEN BROILERS

MODEL	WIDTH IN (MM)	DEPTH IN (MM)	BURNERS	GAS OUTPUT BTU (KW)	SHIP WEIGHT (KG) LBS
ICB-4836	48" (1219)	36" (914)	5	250,000 (73)	(179) 395
ICB-6036	60" (1524)	36" (914)	6	300,000 (88)	(224) 495
ICB-4827	48" (1219)	27" (686)	5	200,000 (58)	(159) 340
ICB-6027	60" (1524)	27" (686)	6	240,000 (70)	(193) 425

MODEL	DIMENSIONS	CRATED DIMENSIONS
ICB-4836	48" W X 36" D X 22" H (1219 X 914 X 559 MM)	50-1/2" W X 38" D X 24" H (1283 X 965 X 610 MM)
ICB-6036	60" W X 36" D X 22" H (1524 X 914 X 559 MM)	62-1/2" W X 38" D X 24" H (1588 X 965 X 610 MM)
ICB-4827	48" W X 27" D X 22" H (1219 X 646 X 559 MM)	50-1/2" W X 29" D X 24" H (1283 X 737 X 610 MM)
ICB-6027	60" W X 27" D X 22" H (1524 X 646 X 559 MM)	62-1/2" W X 29" D X 24" H (1588 X 737 X 610 MM)

Notes: Measurements in () are metric equivalents.
 Crated Dimensions: 24" (610) h. Add 2" (51) to unit depth. Add 2 1/2" (64) to broiler width.

OPTIONS AND ACCESSORIES

- Stainless steel equipment stands
- 6" (152 mm) casters for equipment stands
- Stainless steel drip tray
- Stainless steel, removable heat deflector

CLEARANCE REQUIREMENTS

Legs or stand required for non-combustible surfaces. Provide 0" clearance from non-combustible surfaces and 8" (203 mm) from combustible surfaces.

MANIFOLD PRESSURE		
NATURAL GAS	PROPANE GAS	MANIFOLD SIZE
5.0" W.C.	10.0" W.C.	3/4" (19 MM)

