



T&S BRASS AND BRONZE WORKS, INC.

2 Saddleback Cove / P.O. Box 1088
Travelers Rest, SC 29690

Model No.

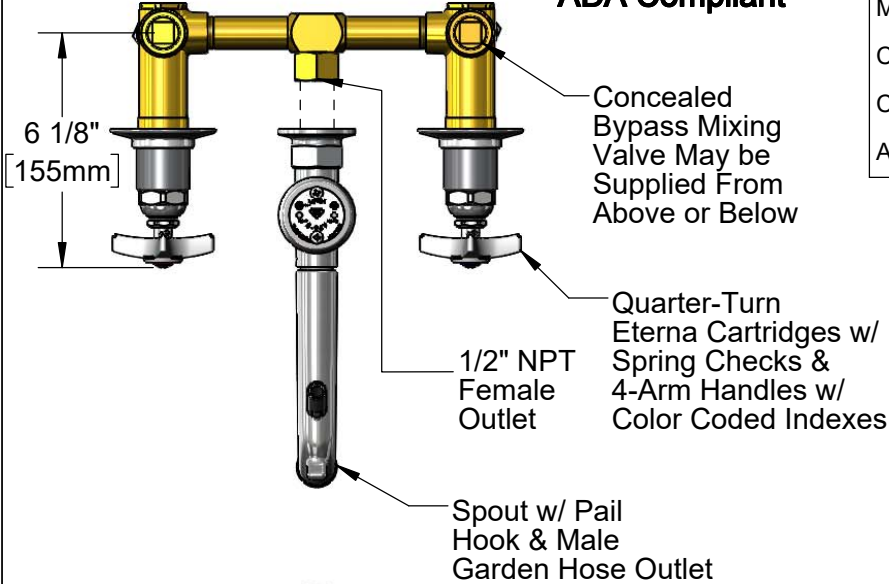
B-0699

Item No.

Travelers Rest, SC: 800-476-4103 • Simi Valley, CA: 800-423-0150 • Fax: 864-834-3518 • www.tsbrass.com



ADA Compliant



This Space for Architect/Engineer Approval

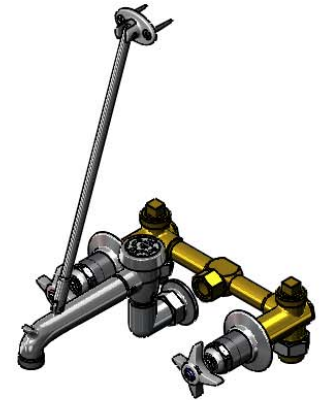
Job Name _____ Date _____

Model Specified _____ Quantity _____

Customer/Wholesaler _____

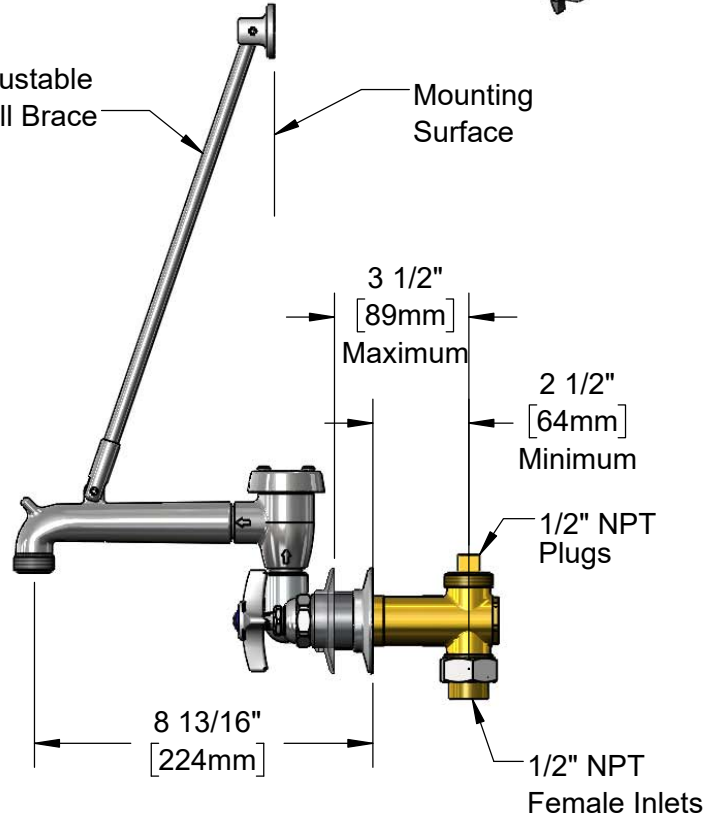
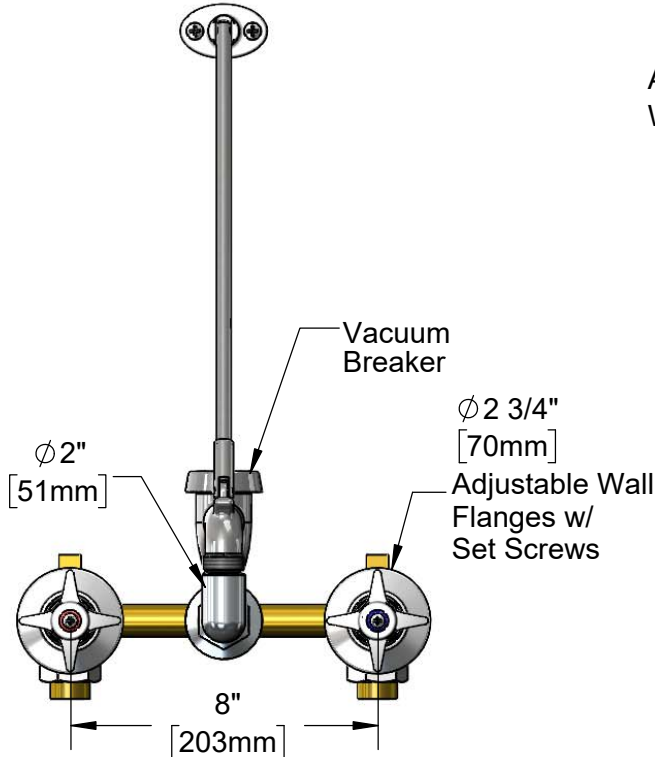
Contractor _____

Architect/Engineer _____



Adjustable Wall Brace

Mounting Surface



Rough-In Requirement:
∅ 1 1/2" [38mm] Mounting Holes

Product Specifications:
8" Wall Mount Concealed Mixing Valve, Quarter-Turn Eterna Cartridges w/ Spring Checks, 4-Arm Handles, Spout w/ Pail Hook & Male Garden Hose Outlet, Upper Support Rod & 1/2" Female Inlets/Outlets

Product Compliance:
ASME A112.18.1 / CSA B125.1
NSF 61 Exempt (Non-Potable)
ANSI A117.1 (ADA)



T&S BRASS AND BRONZE WORKS, INC.

2 Saddleback Cove / P.O. Box 1088
Travelers Rest, SC 29690

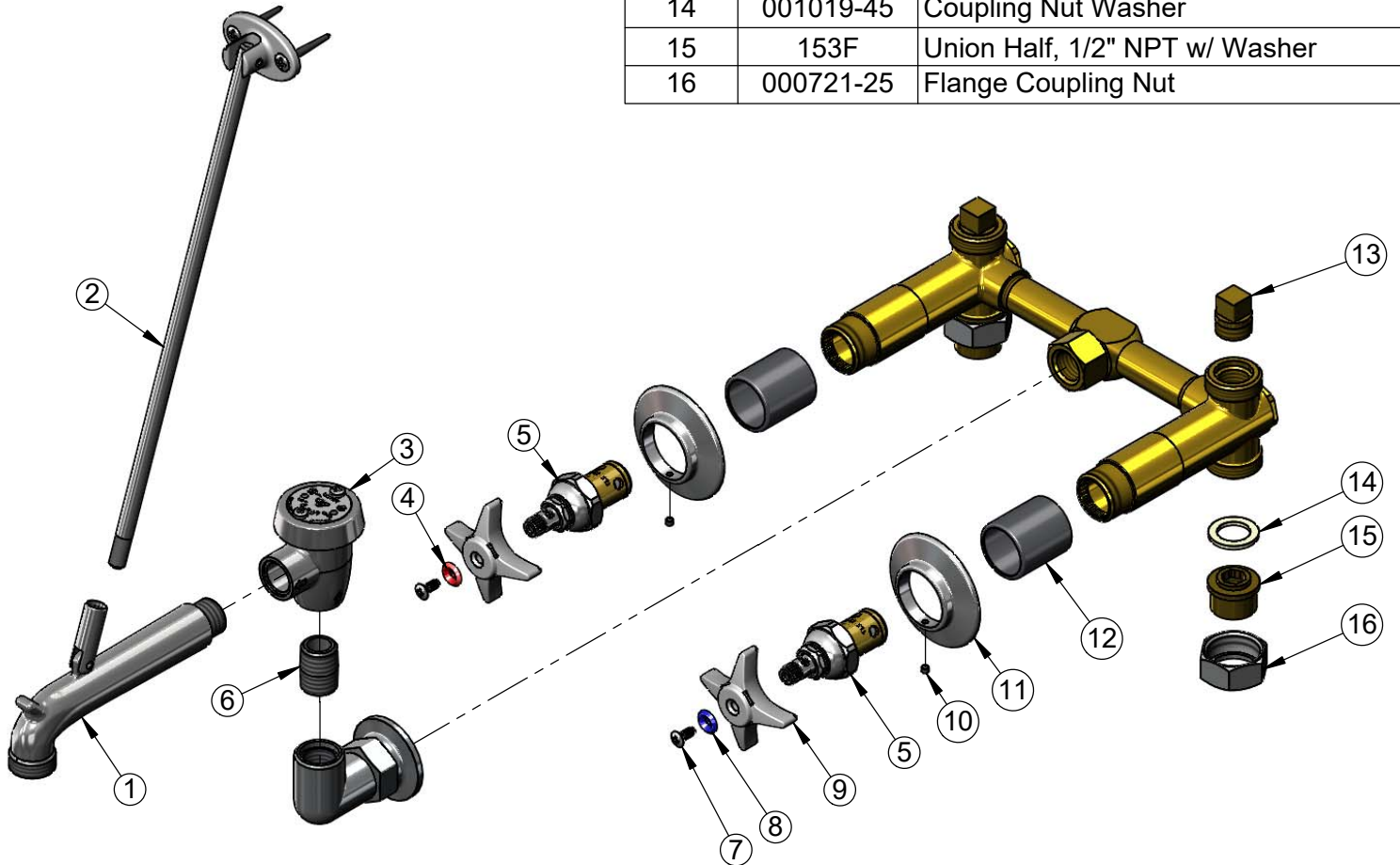
Model No.

B-0699

Item No.

Travelers Rest, SC: 800-476-4103 • Simi Valley, CA: 800-423-0150 • Fax: 864-834-3518 • www.tsbrass.com

| ITEM NO. | SALES NO. | DESCRIPTION |
|----------|-----------|--|
| 1 | 009545-40 | Nozzle w/ Clevis - Polished Chrome |
| 2 | 009546-40 | Support Rod - Polished Chrome |
| 3 | B-0969 | Vacuum Breaker |
| 4 | 001661-45 | Red Index-HW |
| 5 | 012443-40 | Quarter-Turn Eterna Cartridge w/ Spring Check, RTC |
| 6 | 002534-25 | Close Nipple, 1/2" NPT |
| 7 | 000922-45 | Lever Handle Screw |
| 8 | 001660-45 | Blue Index-CW |
| 9 | 002521-45 | 4-Arm Handle |
| 10 | 000939-45 | Escutcheon, Set Screw |
| 11 | 001501-40 | Escutcheon |
| 12 | 151F | Escutcheon Tube |
| 13 | 001347-20 | 1/2" NPT Square Head Plug |
| 14 | 001019-45 | Coupling Nut Washer |
| 15 | 153F | Union Half, 1/2" NPT w/ Washer |
| 16 | 000721-25 | Flange Coupling Nut |



Product Specifications:

8" Wall Mount Concealed Mixing Valve, Quarter-Turn Eterna Cartridges w/ Spring Checks, 4-Arm Handles, Spout w/ Pail Hook & Male Garden Hose Outlet, Upper Support Rod & 1/2" Female Inlets/Outlets

Product Compliance:

ASME A112.18.1 / CSA B125.1
NSF 61 Exempt (Non-Potable)
ANSI A117.1 (ADA)