

- **MI33R** 38-1/8"L x 36-1/2"D x 39-1/8"H
- **MI36R** 74-1/8"L x 36-1/2"D x 39-1/8"H

Included

- Casters (locking)
- Corrosion resistant stainless steel tub & fan shroud
- One year parts & labor; 5 year compressor warranty
- Solid metal deck
- Straight insulated glass ends
- Warmest average product temperature adjustable from 38°F to 40°F

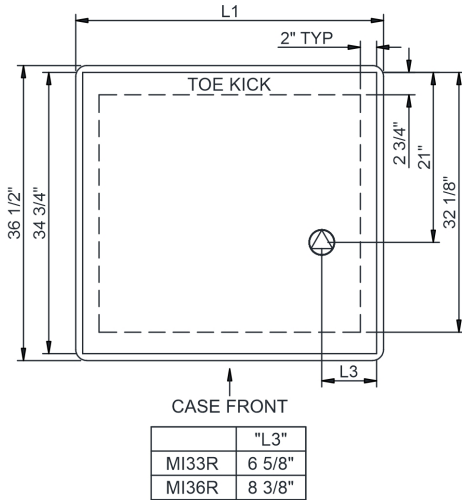


MI33R

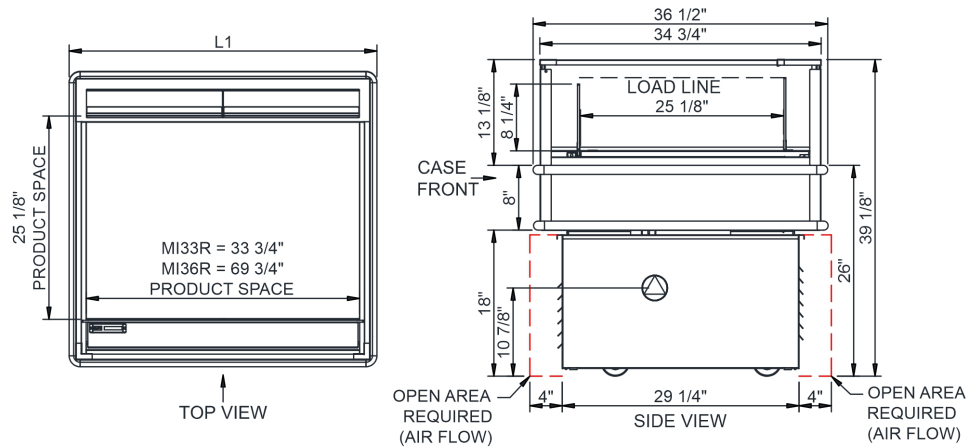
Specify	Standard Features	Additional Options
EXTERIOR COLOR	• Powder coated Silversan Black	• Laminate (non-stock colors) • Laminate (stock colors) • Powder coated (stock colors, specify RAL#) • Stainless steel
INTERIOR COLOR	• Powder coated Silversan Black	• Stainless steel
LOWER PANEL COLOR	• Powder coated Silversan Black	• Stainless steel (must choose stainless exterior)
BASE SUPPORT	• Enclosed base with locking casters	
BUMPER	• 1" bumper, double strip (black)	
ELECTRICAL CONNECTION	• 6' 90° Straight blade power cord (self-cont.)	• 6' Locking power cord (self-cont.)
CLEAN SWEEP	• None	• Clean Sweep® automatic condenser coil cleaner
REFRIGERATION	• Breeze self-contained refrigeration	
THERMOMETER	• Digital fahrenheit thermometer	• Digital celsius thermometer
MISCELLANEOUS		• Second year parts & labor warranty (excludes compressor)
ACCESSORIES		• Electrical drop cord cover (matches exterior color)

Intended Environment: Type I - Designed to operate in ambient conditions of 75°F with 55% relative humidity unless noted otherwise in system information below.		
Zone	Intended Product To Be Displayed	Warmest Avg Prod Temp ° F
1	Packaged raw meat (38°) Packaged produce/deli (40°)	38-40

PLAN VIEW



SIDE VIEW



NOTE: ALL DIMENSIONS APPROXIMATE

- ELECTRICAL JUNCTION BOX**
(SUPPLIED WITH 6" LEADS OR POWER CORD).
- LOCATION OF DRAIN TUBE FOR REMOTE REF.**
ONLY (SUPPLIED WITH 3/4" OR 1 1/2" PVC TUBE).

- REFRIGERATION LINE CONNECTION.**
- REMOTE FLOOR SINK & UTILITIES ACCESS AREA.**

- SELF-CONTAINED CASE SERVICE ACCESS AREA.**
- DRY CASE SERVICE ACCESS AREA.**

Model Technical Specifications																
Model	L"	L1"	L2"	System Circuit Volts			Phs	Freq	Amps ***	Watts	Wires	NEMA Plug	SST	Conv. Rack RTUH	Para. Rack RTUH	Est Wt
MI33R	N/A	38.13	.00	Self-Contained (R290)	Circuit #1	110-120	1	60	14.20	913	2+G	5-20P or L5-20P	N/A	N/A	N/A	750
				Self-Contained (R513A)	Circuit #1	110-120	1	60	9.35	801	2+G	5-15P or L5-15P	N/A	N/A	N/A	
MI36R	N/A	74.13	.00	Self-Contained (R290)	Circuit #1	208-240	1	60	16.00	1,611	2+G	6-20P or L6-20P	N/A	N/A	N/A	950
				Self-Contained (R513A)	Circuit #1	110-120	1	60	15.19	1,540	2+G	5-20P or L5-20P	N/A	N/A	N/A	

*** Does not include electric defrost on freezer models.

Regulatory Approvals:	
All Models	Accordance with AHRI Std 1200 ETL Listed to UL 471 ETL Listed to CAN/CSA 22.2 No. 120 ETL Sanitation to NSF/ANSI 7



In Accordance with
AHRI Std 1200

DOE 2017
Energy Efficiency
Compliant

Important Notes:

- Performance issues (product temperatures, water on floor, etc.) caused by adverse conditions are not covered by warranty.
- Maximum load height is 8-1/4" up from deck.
- Compressor air side intake and side discharge. All louvered panels cannot be blocked.
- Do not expose unit to direct sunlight or any heat source (ovens, fryers, etc.).
- Keep unit at least 15' from exterior doors, 10' from overhead HVAC vents, 5' from exterior windows.
- If GFCI is required, a GFCI breaker MUST be used in lieu of a GFCI receptacle.

⚠ WARNING: This product can expose you to chemicals, including Urethane (Ethyl Carbamate), which are known to the State of California to cause cancer and birth defects or other reproductive harm. For more information go to www.P65Warnings.ca.gov.