



HOODS BAKERLUX SHOP.Pro™

XAKHT-HCHS
XAKHT-HCFS

INSTALLATION, USE AND MAINTENANCE MANUAL
Translation of original instructions

EN

Read and understand this manual completely before attempting to install, operate, or service this equipment. This manual is intended for use only by qualified installers of electric appliances.

RETAIN THIS MANUAL FOR FUTURE REFERENCE

WARNING

IMPORTANT FOR YOUR SAFETY

This manual is intended for use only by qualified installers of electric appliances to install and set up the Unox oven models listed on the cover of this document. It also contains operational instructions for the users of the appliance.

Keep this manual in an easily accessible place for future reference. In the event of a power failure, do not attempt to operate this appliance.

Keep the appliance area free and clear from combustibles.

Do not obstruct the air intake or exhaust openings of the appliance.

Keep in a prominent location instructions to be followed in the event the user smells gas. This information shall be obtained by consulting the local gas supplier.

SAFETY PRECAUTIONS:

Do not store or use gasoline or other flammable vapors or liquids in the vicinity of this or any other appliance.

WARNING

Improper installation, adjustment, alteration, service or maintenance can cause property damage, injury, or death.

Read the installation, operating, and maintenance instructions thoroughly before installing or servicing this equipment.

SAFETY REGULATIONS

GENERAL SAFETY	4
SAFETY REGULATIONS FOR USE	5

INTRODUCTION

PICTOGRAMS.....	7
SUPPLIED DOCUMENTS	8
REGISTRATION.....	9

PRE-INSTALLATION

INSTALLATION CODES AND STANDARDS	11
DELIVERY AND INSPECTION	11
HANDLING	12
SPECIFICATIONS	12
UNPACKING OF THE APPLIANCE	13

INSTALLATION

GETTING STARTED	15
POSITIONING.....	19
POSITIONING ON AN OVEN OR FLUE	20
ELECTRICAL CONNECTION.....	24
PLUMBING CONNECTIONS	26
CONNECTING STACKED APPLIANCES (MAXI.LINK)	31
INSTALLING THE FILTERS	33

USE

USE.....	34
----------	----

MAINTENANCE

ROUTINE MAINTENANCE.....	36
INACTIVITY	38
CERTIFICATION	38
AFTER-SALES ASSISTANCE	39
UNOX LIMITED WARRANTY CONDITIONS - US	41

BAKERLUX SHOP.Pro™ Hoods

Safety regulations

⚠️ WARNING Read this and other applicable manuals carefully before using this appliance. Incorrect installation, operation, maintenance, cleaning, or any modifications made to the appliance, may damage property or result in fatal injury.



GENERAL SAFETY

- Read this guide carefully before installing or maintaining the appliance, and conserve this guide with care for any future consultation of users.
- All installation, assembly and non-routine maintenance operation must be performed exclusively by qualified technicians that are authorized by Cadco in compliance with the regulations in force in the user country, with respect to the regulations on systems and work safety.
- Before starting installation or maintenance disconnect the appliance from any electrical connections.

- Check that systems are compliant to the installation country standards and to the specifications indicated on the appliance rating plate before installing the appliance.
- Interventions, alterations or modifications not expressly authorised that do not comply with the indications in this manual shall invalidate the warranty*.
- Installation or maintenance that fails to respect the indications in this manual may cause damage, injury or fatal accidents.
- Persons not involved with appliance installation may not pass through or occupy the work area during appliance assembly.
- Given its potential danger, the packaging material must be kept out of reach of children and animals, and correctly disposed of in compliance with local regulations.
- The ratings plate provides essential technical information that is of utmost importance for any appliance maintenance or repairs. Do not remove, damage or modify the plate.
- Failure to follow these instructions can cause damage and injury or death, voids the warranty* and exempts Cadco from any liability.

SAFETY REGULATIONS FOR USE

- Following procedures other than those indicated in this guide to use and clean the appliances is considered in-appropriate and may cause damage, injury or fatal accidents; in addition to invalidating the warranty* and relieving Cadco of all liability.
- Children must not play with the appliance. **Cleaning and maintenance to be implemented by the user shall not be carried out by children without supervision.**

*For more information, go to www.Cadco.com and visit the “Warranty” section

- Children must be supervised to ensure they do not play with the appliance.
- This appliance can be used exclusively:
 - By qualified personnel that attend scheduled training courses;
 - In combination with the Cadco electrical ovens of the **BAKERLUX SHOP.Pro™** line for industrial kitchens;
 - For the aspiration and condensation of smoke evacuated via the oven flue;
 - For smoke aspiration and evacuation that exit the oven when the door is opened.
- If the appliance does not function or if there are any functional or structural alterations, disconnect the electricity and water supplies and contact a Cadco authorized customer assistance service. Do not attempt to independently repair the appliance. Request Cadco original spare parts for any repairs necessary.
- To ensure that the appliance is in perfect use and in a safe condition, maintenance and inspections should be performed yearly by an authorised customer agent service.
- Never use the hood without front filters!



RISK OF FIRE!

- Before using the appliance make sure that there are no non-compliant object (instruction manuals, plastic bags or other) in the oven cavity; likewise, make sure that the smoke exhaust is free of obstructions and that no flammable materials are in its vicinity.

*For more information, go to www.cadco-ltd.com and visit the “Warranty” section



RISK OR ELECTRICAL SHOCK

- Do not open the compartments marked with these symbols: access is reserved to qualified personnel authorised by Cadco.
- Failure to observe these regulations may cause damage and (fatal) injuries, and also invalidates the warranty*.

PICTOGRAMS

The installation and user instructions are valid for all models unless otherwise specified by the following pictograms:



Danger! Situation presenting immediate danger, or a hazardous situation which could cause injury or death.



Risk of fire!



Tips and useful information



Risk of electric shock!



Earthing symbol



Read the instruction manual



Equipotential symbol



Risk of burns!



Consult other chapter

BAKERLUX SHOP.Pro™ Hoods

Introduction

Congratulations and thank you for choosing to purchase a **BAKERLUX SHOP.Pro™** hood.

This appliance can be used exclusively:

- by qualified personnel that attend scheduled training courses;
- in combination with Cadco electrical ovens from the **BAKERLUX SHOP.Pro™** line for industrial kitchens (for more information, see “**Table A**” on page **8**);
- for the aspiration and condensation of smoke evacuated via the oven flue;
- for smoke aspiration and evacuation that exit the oven when the door is opened.



We recommend you thoroughly read for all instructions on how to maintain the aesthetic and functional qualities of your purchased product.

SUPPLIED DOCUMENTS

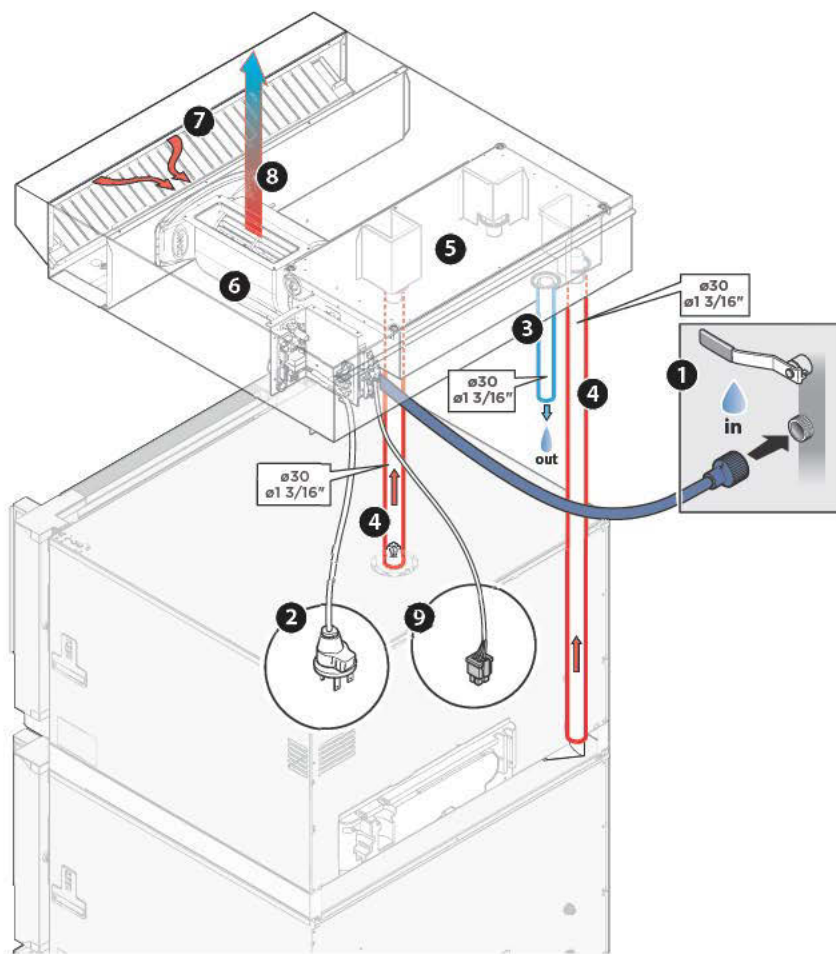
The following documents are provided with the unit:

- Installation and Operation Manual
- Overall Dimension Drawing
- Wiring Diagram
- Connection Diagram

Table A

COOKING TRAYS			OVEN MODEL	HOOD MODEL
TYPE	SIZE [Inches]	N°		
Half Size	18”x13”	3	XAFT-03HS-xxDx	XAKHT-HCHS
		3	XAFT-03HS-xxRx	
		3	XAFT-03HS-xxLx	
		4	XAFT-04HS-xxDx	
		4	XAFT-04HS-xxRx	
		4	XAFT-04HS-xxLx	
Full Size	18”x26”	3	XAFT-03FS-xxDx	XAKHT-HCFS
		3	XAFT-03FS-xxRx	
		3	XAFT-03FS-xxLx	
		4	XAFT-04FS-xxDx	
		4	XAFT-04FS-xxRx	
		4	XAFT-04FS-xxLx	

HOW HOODS WORK



- 1 cold water supply thermally controlled by a temperature sensor
- 2 plug for connection to the electricity mains
- 3 residual water discharge
- 4 cavity moisture released from the flues of the ovens below
- 5 vapour condenser
- 6 2-speed aspiration motor
- 7 cavity moisture released from open door
- 8 exiting cold air
- 9 connecting cable between the hood and the oven

BAKERLUX SHOP.Pro™ Hoods

Pre-installation

INSTALLATION CODES AND STANDARDS

Installations within the United States, must follow:

- 1.State and local codes.
- 2.National Electrical Code (ANSI/NFPA No.70, latest edition) available from the National Fire Protection Association, Batterymarch Park, Quincy, MA 02269.
- 3.Vapor Removal from Cooking Equipment, (NFPA-96, latest edition) available from NFPA.

Installations within Canada, must follow:

- 1. Local codes.
- 2.Canadian Electrical Code (CSA C22.2 No.3, latest edition) available from the Canadian Standards Association, 5060 Spectrum Way, Mississauga, Ontario, Canada L4W 5N6.

DELIVERY AND INSPECTION

Cadco strives to ensure the appliance is received in good working condition. To prevent shipping damage, the appliance is shipped from the factory and must only be transported using pallets supplied by Cadco. Each unit has been carefully inspected before it was packaged and consigned to a shipper/installer.

Upon delivery:

Inspect the shipping container, carefully noting any exterior damage on the delivery receipt, which must also be signed by the driver or delivery person.

- Unpack and check for any damage, which was not evident on the outside of the shipping container.
- Check for concealed damage. The carrier must be notified immediately of damage not readily visible upon the delivery of the unit. The crate and all packaging materials must be retained for inspection.

Cadco does not assume liability for loss or damage of the appliance during shipping and/or delivery. The carrier assumes full responsibility for delivery in good condition when the shipment was accepted. If the product was lost or damaged in shipment **Cadco** will provide assistance in filing a claim with the carrier.



HANDLING

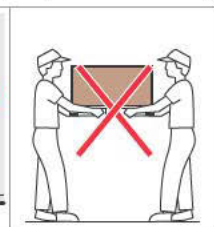
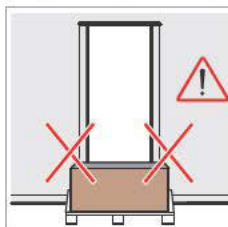
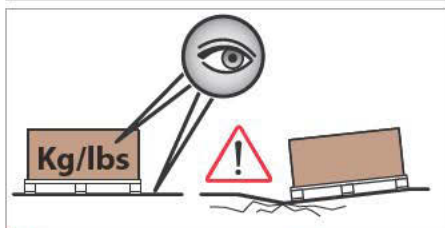
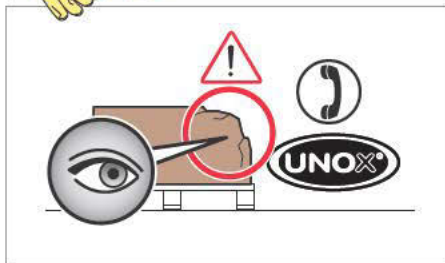
The appliance is very heavy and may require the use of moving equipment.

⚠ WARNING Injury risk! Do not lift or move the appliance without adequate help. Heavy lifting, over 51 pounds (23 kg), may result in personal injury. Make sure the appliance is not in danger of tipping over during transportation.

SPECIFICATIONS

Before positioning the appliance, check the measurements and the exact position of the electrical, plumbing, and exhaust connections. Check for proper clearance with shut off valves and drain line hook ups.

The installation site must be able to withstand the maximum weight of the fully loaded appliance. Make sure the unit fits through all doors, corridors, passageways, or other openings required to reach the installation site.



UNPACKING OF THE APPLIANCE

Check the package for any visible damage. If damage is found, contact Cadco immediately and DO NOT install the appliance.

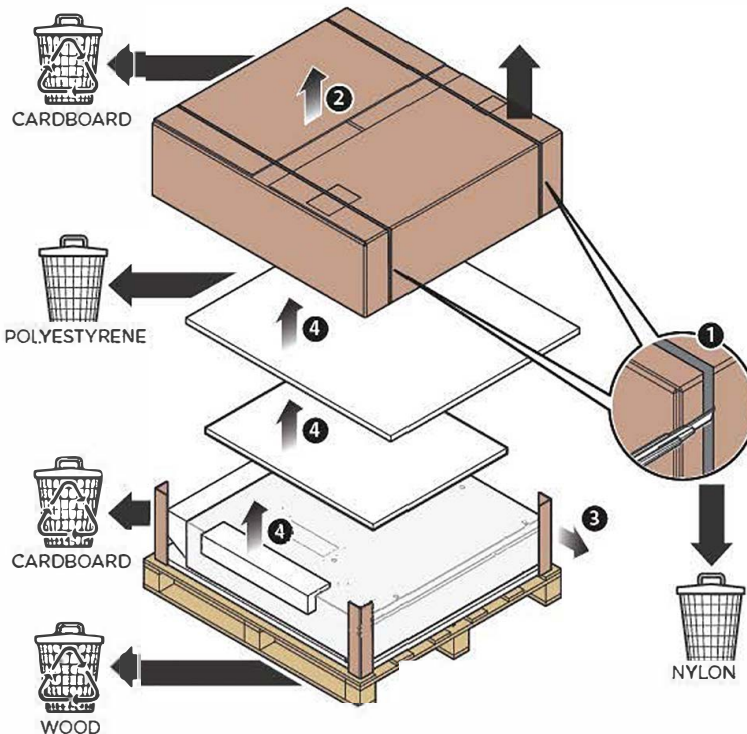
Before transporting the appliance to its installation point, make sure that:

- it easily passes through doorways;
- the floor supports its weight.

Transport must be exclusively performed by mechanical means (e.g. using pallet jacks).

⚠ WARNING The packaging material is potentially dangerous. It must be kept out of the reach of children and animals, and correctly disposed of in compliance with local regulations.

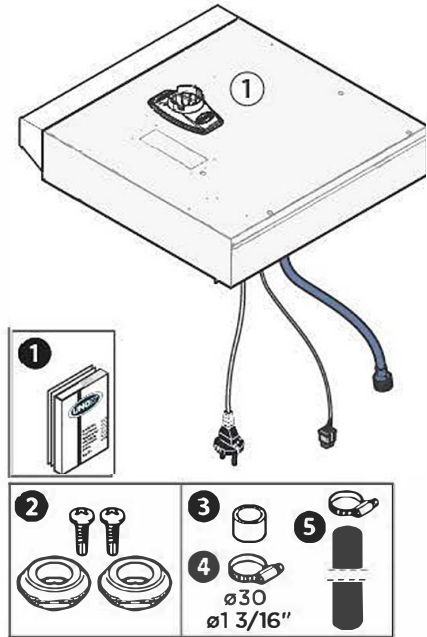
NON-STOP Efforts Cadco has followed the **NON-STOP Efforts** philosophy for years, to increase the environmental compatibility of its products and reduce energy consumption and waste. Cadco wishes to protect the environment and invites the consumer to dispose of waste in the relevant recycling bins.



⚠️ WARNING Fire risk! any work on the hood, must be performed by certified technicians in compliance with local, state, and federal regulations.

CHECKING PACKAGE CONTENTS

Before installing the appliance, check that the following components are in the package and undamaged. Contact Cadco if any pieces are missing.



BAKERLUX SHOP.Pro™ Hoods Installation

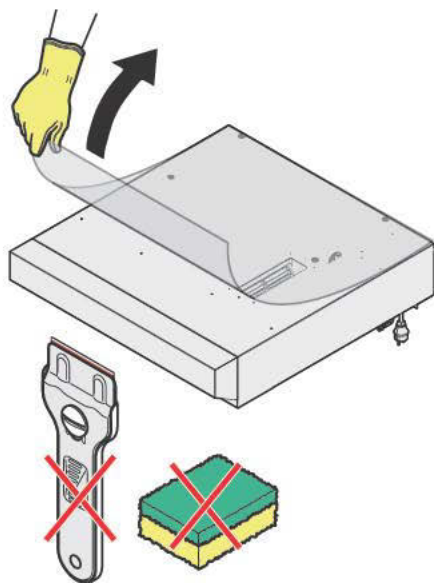
⚠ WARNING Before installing the appliance, carefully read the section “**Safety regulations**” on page 2.

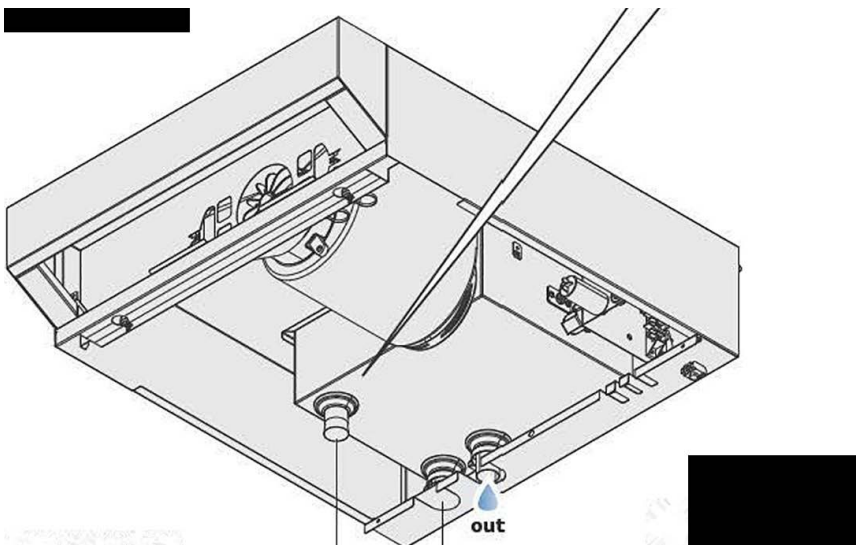
1 GETTING STARTED

1A REMOVING THE PROTECTIVE FILM

Slowly remove the protective films from the appliance. Clean any glue residue with appropriate solvents without using tools, abrasive detergents or acids that could spoil the surfaces.


! The film is potentially dangerous and must be kept out of the reach of children and animals, and correctly disposed of in compliance with local regulations.





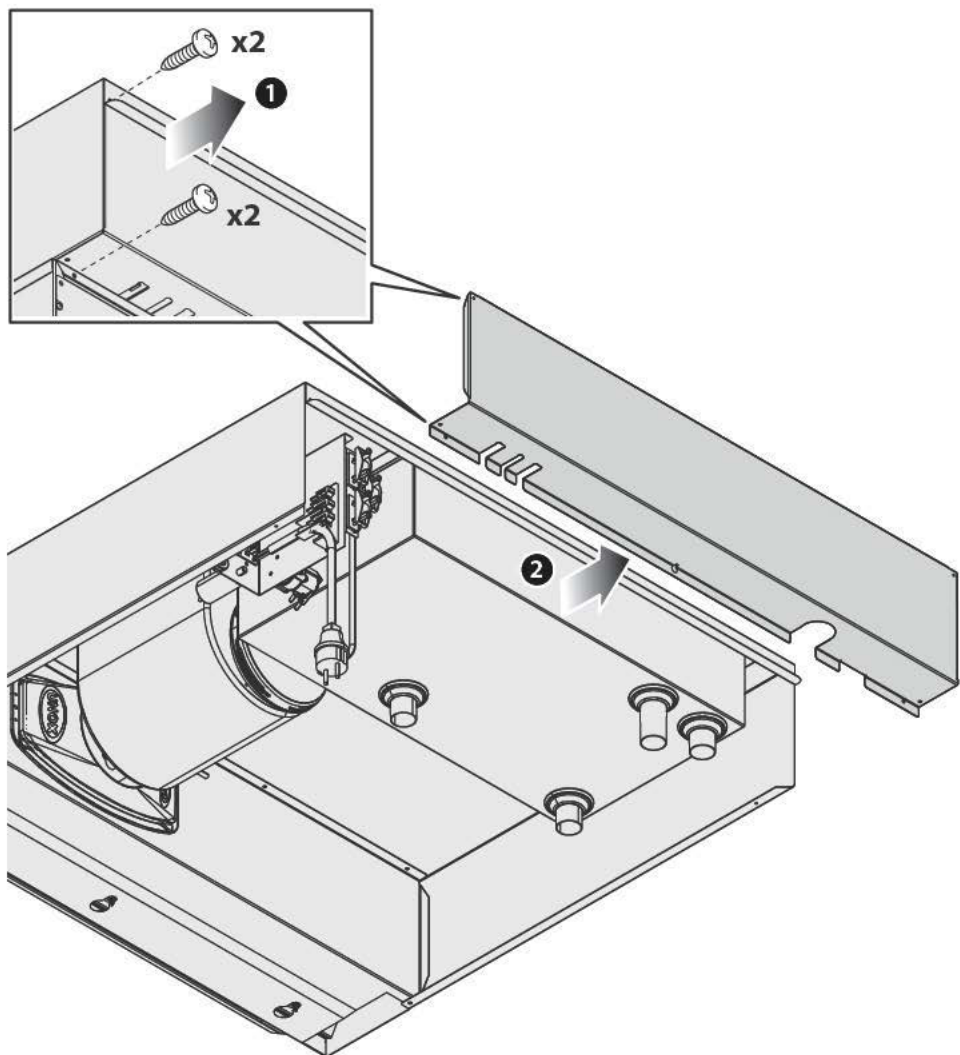
Top oven flue
model STEFANIA, ARIANNA

Bottom oven flue
model STEFANIA, ARIANNA

 Make sure that you do not mix up the smoke flue connections and the condensation outlet (OUT)

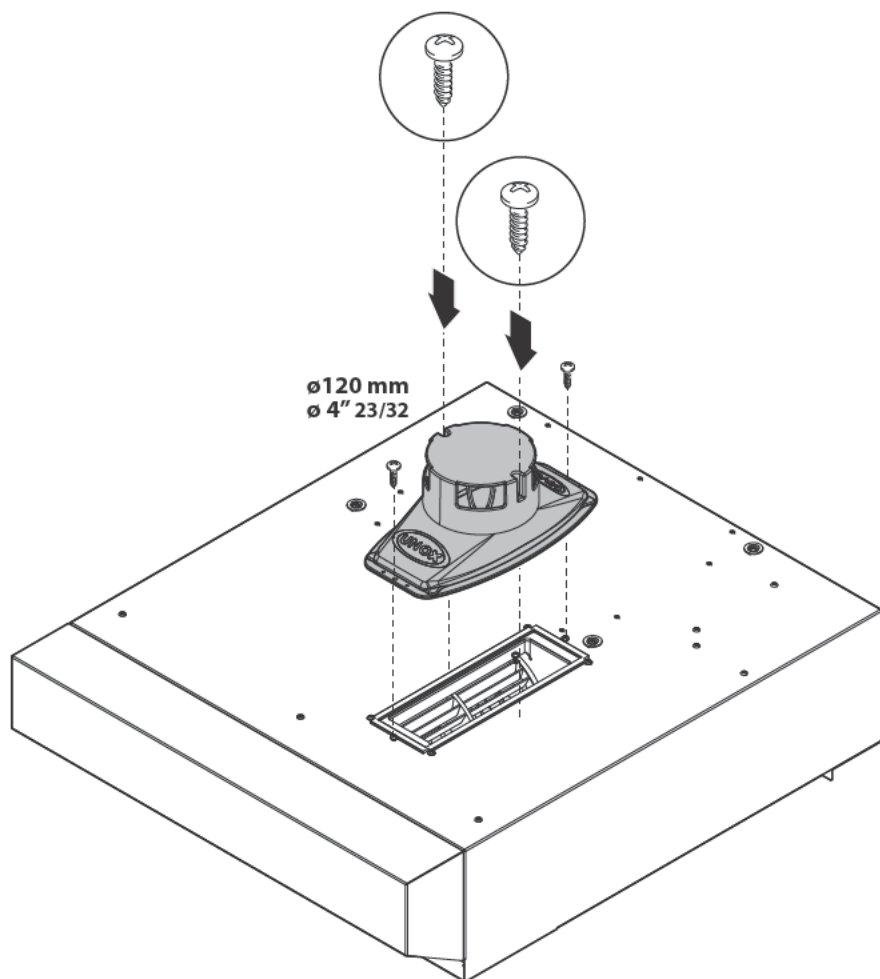
1C REMOVING THE BACK PART OF THE HOOD

Remove the back part of the hood as shown in the image.



1D FITTING THE FLUE COVER

! We recommend a flue cover be installed on top of the external end of the flue, to prevent rainwater from getting into the oven and to minimise pressure drops caused by the Venturi effect, which can occur during strong air currents.



2

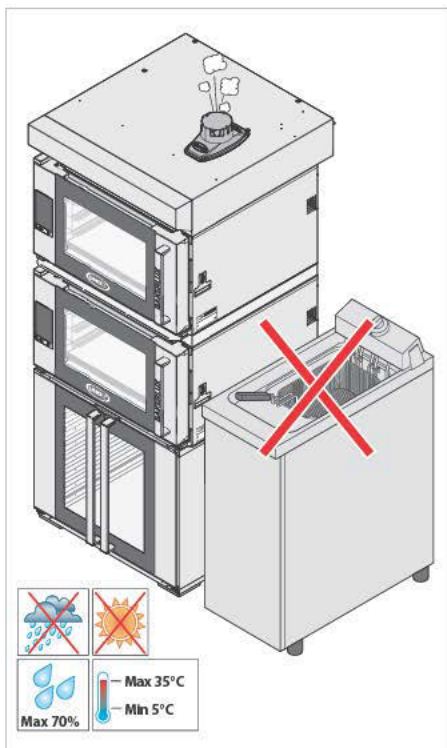
POSITIONING

CHARACTERISTICS OF THE INSTALLATION AREA

Install the appliance in areas:

- dedicated and conforming to the cooking of industrial foods;
- having adequate air ventilation;
- that comply with the laws in your country;
- protected from the weather;
- with temperatures between 41 °F to 104 °F maximum (5 °C to 35 °C);
- having a maximum humidity of 70%.

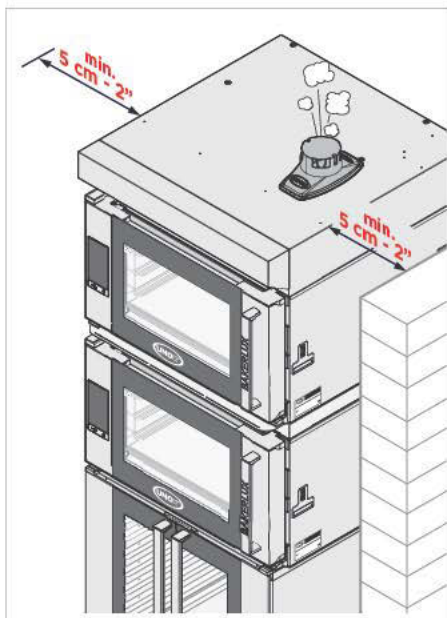
The appliances must only be positioned above ovens from the **BAKERLUX SHOP.Pro™** line and they must be fixed to them.



INSTALLATION MEASUREMENTS

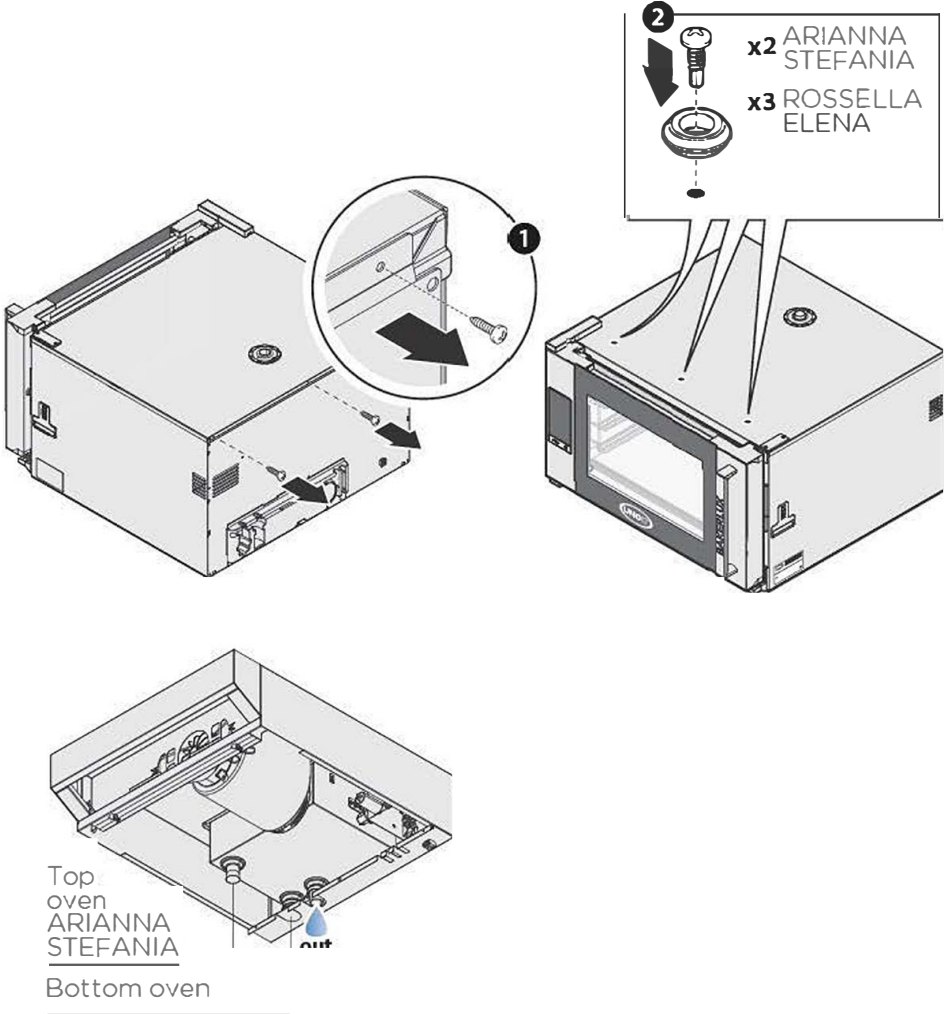
Position the appliance respecting the indicated distances in the diagram and so that the back of the oven is easily accessible for appliance connections and maintenance.

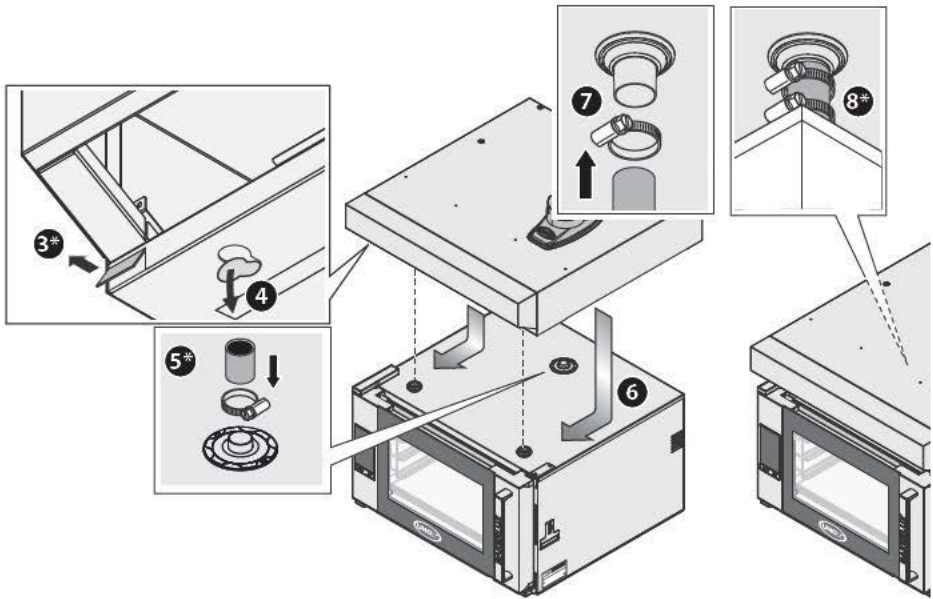
⚠ Do not install the appliance near flammable or heat sensitive materials, walls or furniture. Otherwise, protect them with appropriate non-flammable materials in compliance with fire prevention regulations - see diagram below.



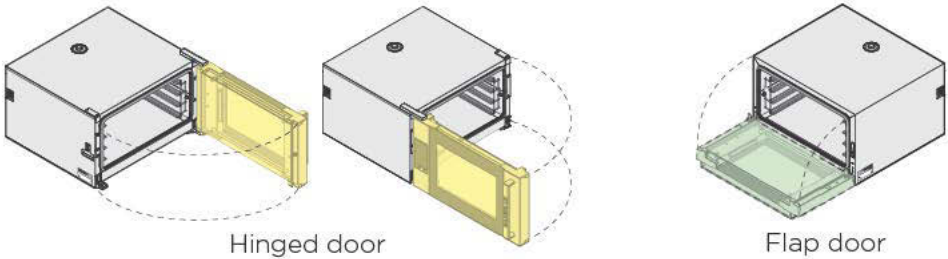
3 POSITIONING ON AN OVEN OR FLUE

Cooking produces hot smoke and odours that are evacuated through an exhaust pipe on the top portion of the appliance. Where multiple ovens are stacked, the bottom oven and the one/those above must be connected to the hood. To do this, you must use the extension included in the stacking kit.





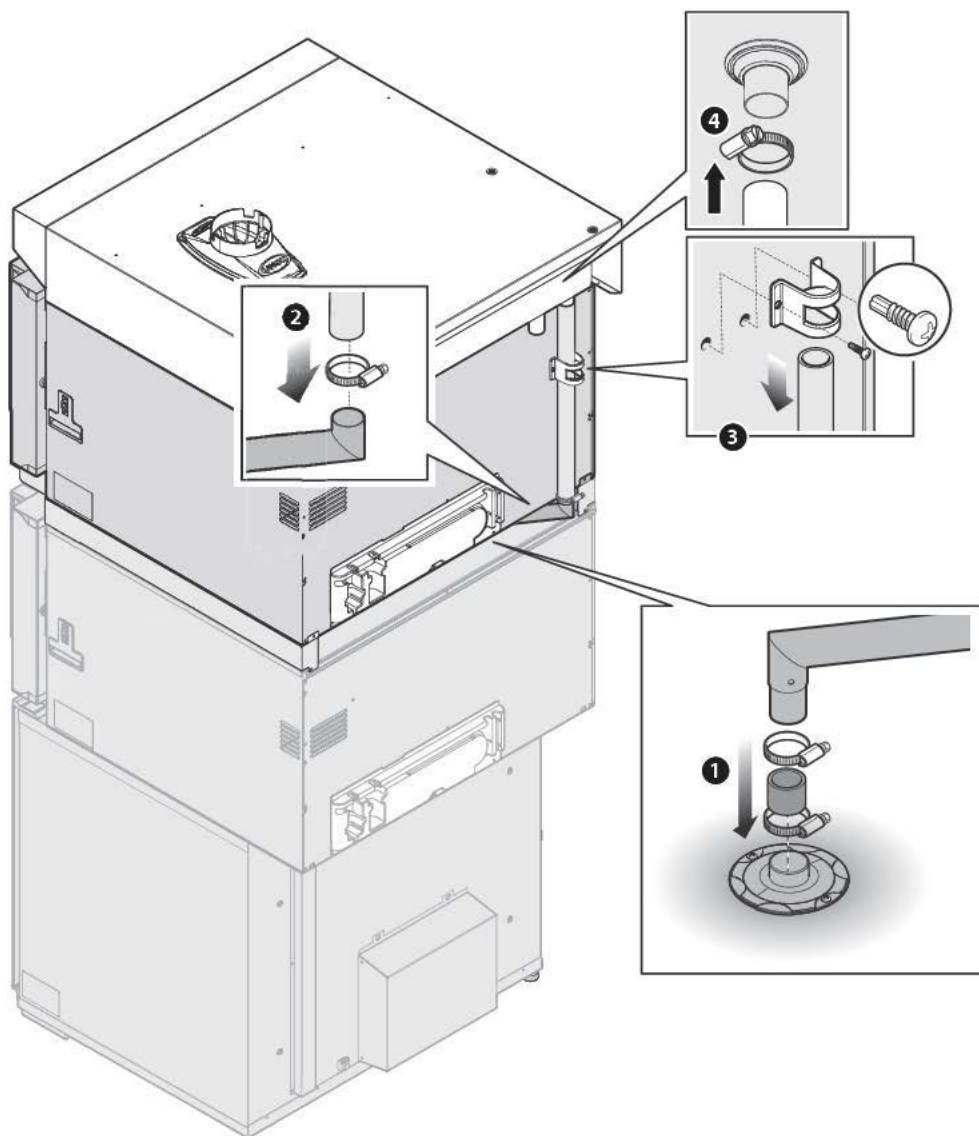
3* If the oven below the hood has a hinged door*, you must remove the left-hand or right-hand plate on the hood (depending on the way the oven door opens) to make room for the hinge on the top oven.



5* Tighten the clip (do not overtighten).

8* Tighten both clips fully.

CONNECTING THE FLUE OF A SECOND OVEN



A second oven must be connected using the extension included in the stacking kit




For more assembly information, please see the instructions contained in the package

HOOD SMOKE EXHAUST

Smoke and odours coming from the oven cavity are evacuated through the hood smoke flues

External evacuation can be performed in 1 of 2 manners:

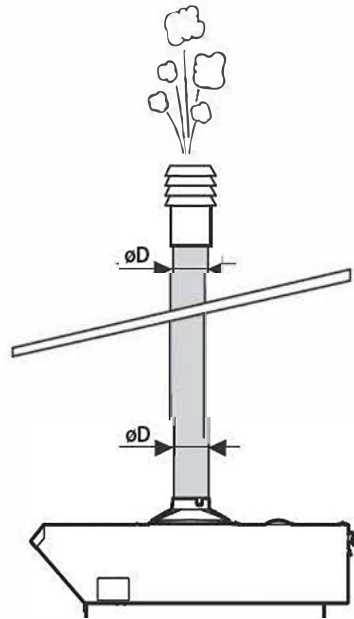
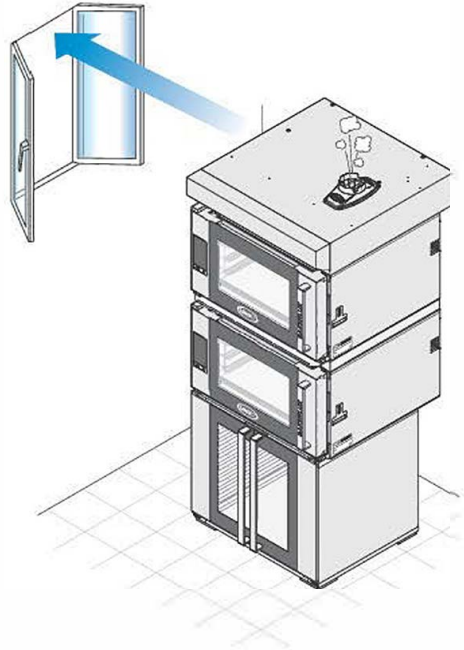
1) Direct evacuation in the oven installation area.

 Make sure that there are no objects or materials obstructing the flue or which may be damaged by the temperature or fumes. Do not leave flammable materials near the smoke exhausts.

2) Evacuation through an efficient ventilation flue.

The Cadco smoke flue, available as an optional, must be installed.

The flue must preferably have the same diameter (\varnothing 4" 23/32 inches - 120mm) throughout the entire length of the oven's exhaust pipe connection;



4

ELECTRICAL CONNECTION

⚠ WARNING

Before connecting the appliance, carefully read the section “**Safety regulations**” on page 2.

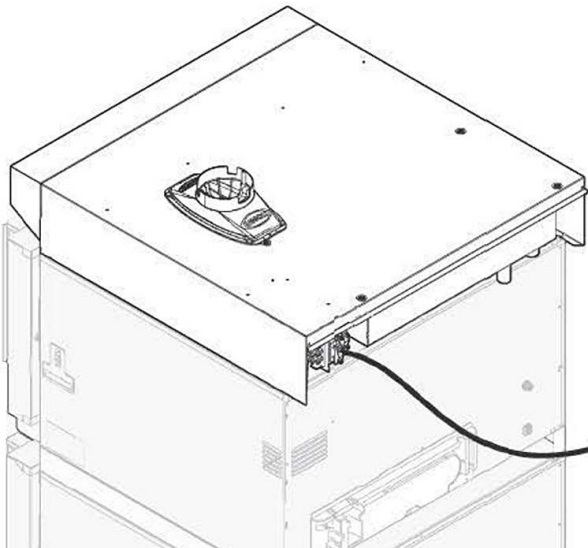
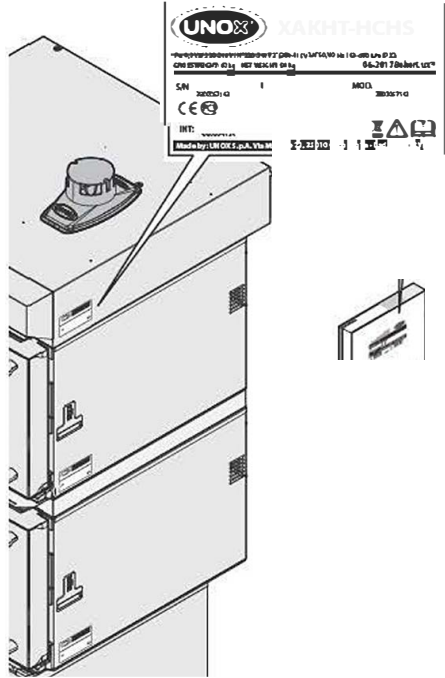
⚠ DANGER

Wire Color Coding: Electric shock risk! observe the color coding of the wires. incorrect connection can lead to personal injury or even electrocution.

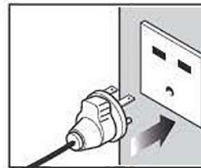


Incorrect connection of the electrical wires may damage the appliance.

- grey or white = neutral wire
- black, red, blue = phase L1, L2, L3



NEMA 6-15P plug



*For more information, go to www.cadco-ltd.com and visit the “**Warranty**” section



Connections to the main power and the electrical system must comply with the regulations in force in the country of installation of the appliance; and all connections must be performed by qualified personnel authorised by Cadco. Failure to comply with these regulations may cause damage and injuries, invalidates the warranty* and relieves Cadco of all liabilities. Before connecting the appliance to the mains electricity, always compare the power supply data with that of the appliance specified on the rating plate. The appliance is released from the factory with power cable and plug already connected to the terminal. Do not make any other type of electrical connection and no dimensional modification of the cable other than extensions, replacing it only with one having specifications equal to the original factory cable (type of rummer, cross-section, etc.).




The cable must be replaced by Cadco or by its technical assistance service, and in all cases by a person with similar qualification in order to avoid possible risks.




The specifications and diagrams, technical data are indicated on the “Technical specifications” sheet attached to the appliance.

For proper electrical connections, the appliance must:


Be wired into an equipotential system in accordance with current regulations. This connection must be performed between different

appliances with the terminal marked with the equipotential symbol . The cable must have a maximum cross-section of 10 mm² (pursuant standard CEI EN 60335-2-42:2003-09) and be of yellow-green colour.

- Must be grounded  to the earthing (green-yellow wire).
- Must be connected to a thermal differential switch in compliance with the regulations in force (0.03A Type A).
- Must be connected to a omnipolar circuit breaker mechanism that enables complete disconnection in category III over voltage conditions.

CHECKS

- The copper jumper in the terminal board and the electrical cable must be secured together under the screw in its tightening direction; and the electrical connections must be securely tightened before connecting the appliance to the electricity mains.
- Check for any electrical dispersion between the phases and the ground, and for electrical continuity between the external casing and the main ground line.
- Check that the power supply voltage does not deviate from the nominal voltage value specified on the appliance rating plate when the appliance is operating. If this is not the case, wire the phases as specified on the “technical specifications” sheet attached.

 WARNING Electrical Grounding Instructions: appliance is equipped with a three-prong (grounding) plug for your protection against shock hazard and should be plugged directly into a properly grounded three-prong receptacle. Do not cut or remove the grounding prong from this plug.


5


PLUMBING CONNECTIONS

INCOMING WATER


The bottom of the appliance contains two meters of pipe with a tee for connecting to the oven water supply (including mechanical filter and fitting (3/4") with non-return valve).

A shut-off valve should be positioned between the water mains and the appliance.

 Use the set of new connections supplied with the appliance for the connection to the water mains. Connections that have already been used must not be used again.

 WARNING The equipment must be installed with adequate backflow protection to comply with applicable federal, state and local codes.

INLET WATER CHARACTERISTICS

 Any damage caused by using water with parameters that do not correspond to what is specified in this section is not covered by the warranty.

The water supply must:

- have a maximum temperature of 86 °F (30 °C);
- be drinkable;
- be pressured at between 22 and 87 psi (150-600 kPa).



If water pressure at the inlet is less than the minimum specified value (22 psi - 1.50 bar) a pump (minimum water flow rate 1.32 gpm (300 l/h)) is required. The ovens have a built-in pressure reducer.

If water conductivity is greater than 150 $\mu\text{S}/\text{cm}$ a water treatment for steam production is required.

Damage caused by limescale or other chemical agents is not covered by the warranty

WATER SPECIFICATIONS FOR THE STEAM CIRCUIT (STEAM INSIDE THE OVEN CAVITY)

Free chlorine \leq 0.1 ppm, Chloramines \leq 0.1 ppm (mg/L)

TDS \leq 125 ppm, Silica \leq 12 ppm, pH 7 to 8.5, Total hardness (TH) \leq 8 °d

Chlorides \leq 25 ppm, Alkalinity \leq 150 ppm as CaCO₃

The maximum chloride content, Cl⁻, is not a fixed value; it depends on the calculated Non Hardness Measurement (NHM)

NHM = EC - (TH** x 30)

EC = electrical conductivity [μ S/cm]

TH = total hardness** [° dH - German degrees]

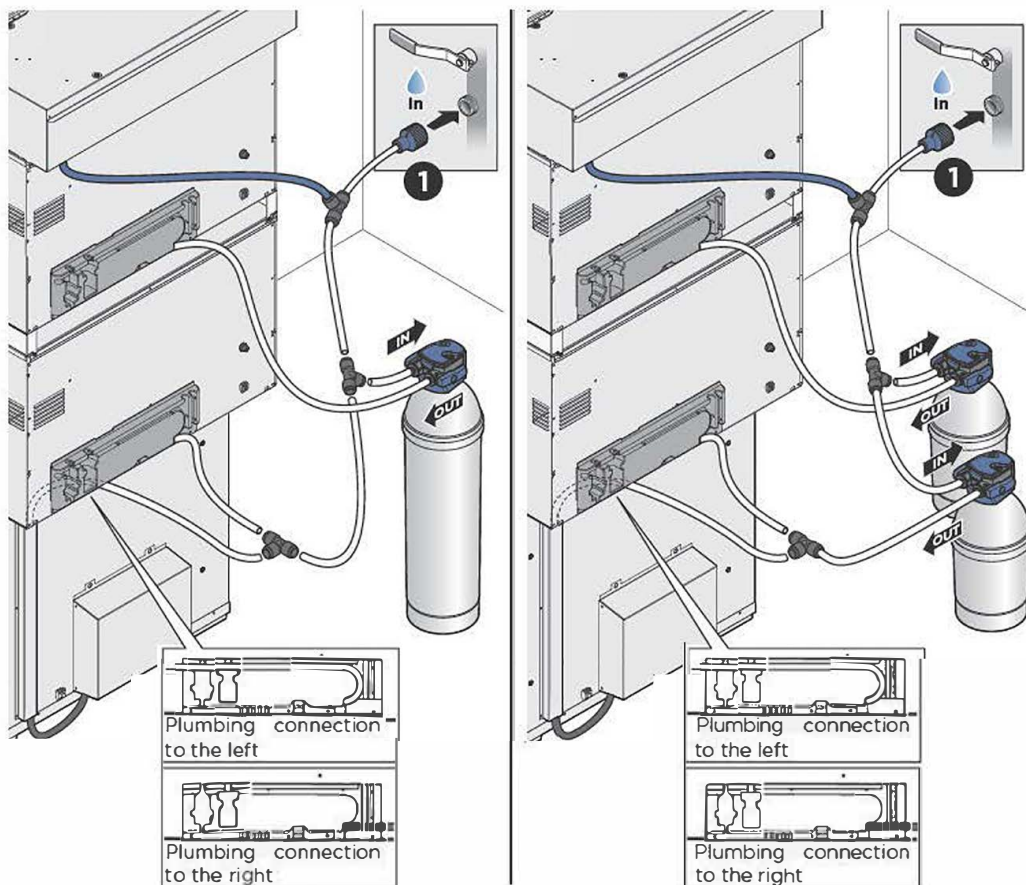
NHM \leq 250 μ S/cm	TH < 8 °dH, Cl ⁻ \leq 25 ppm (5 drops of reagent*)	No water treatment
	TH \geq 8 °dH, Cl ⁻ \leq 25 ppm (5 drops of reagent*)	Cadco.Finest
	Cl ⁻ > 25 ppm (5 drops of reagent*)	Reverse Osmosi System
NHM = 250 - 350 μ S/cm	Cl ⁻ \leq 20 ppm (4 drops of reagent*)	Cadco.Finest
	Cl ⁻ > 20 ppm (4 drops of reagent*)	Reverse Osmosi System
NHM = 350 - 450 μ S/cm	Cl ⁻ \leq 15 ppm (3 drops of reagent*)	Cadco.Finest
	Cl ⁻ > 15 ppm (3 drops of reagent*)	Reverse Osmosi System
NHM = 450 - 500 μ S/cm	Cl ⁻ \leq 10 ppm (2 drops of reagent*)	Cadco.Finest
	Cl ⁻ > 10 ppm (2 drops of reagent*)	Reverse Osmosi System
NHM \geq 500 μ S/cm		Reverse Osmosi System

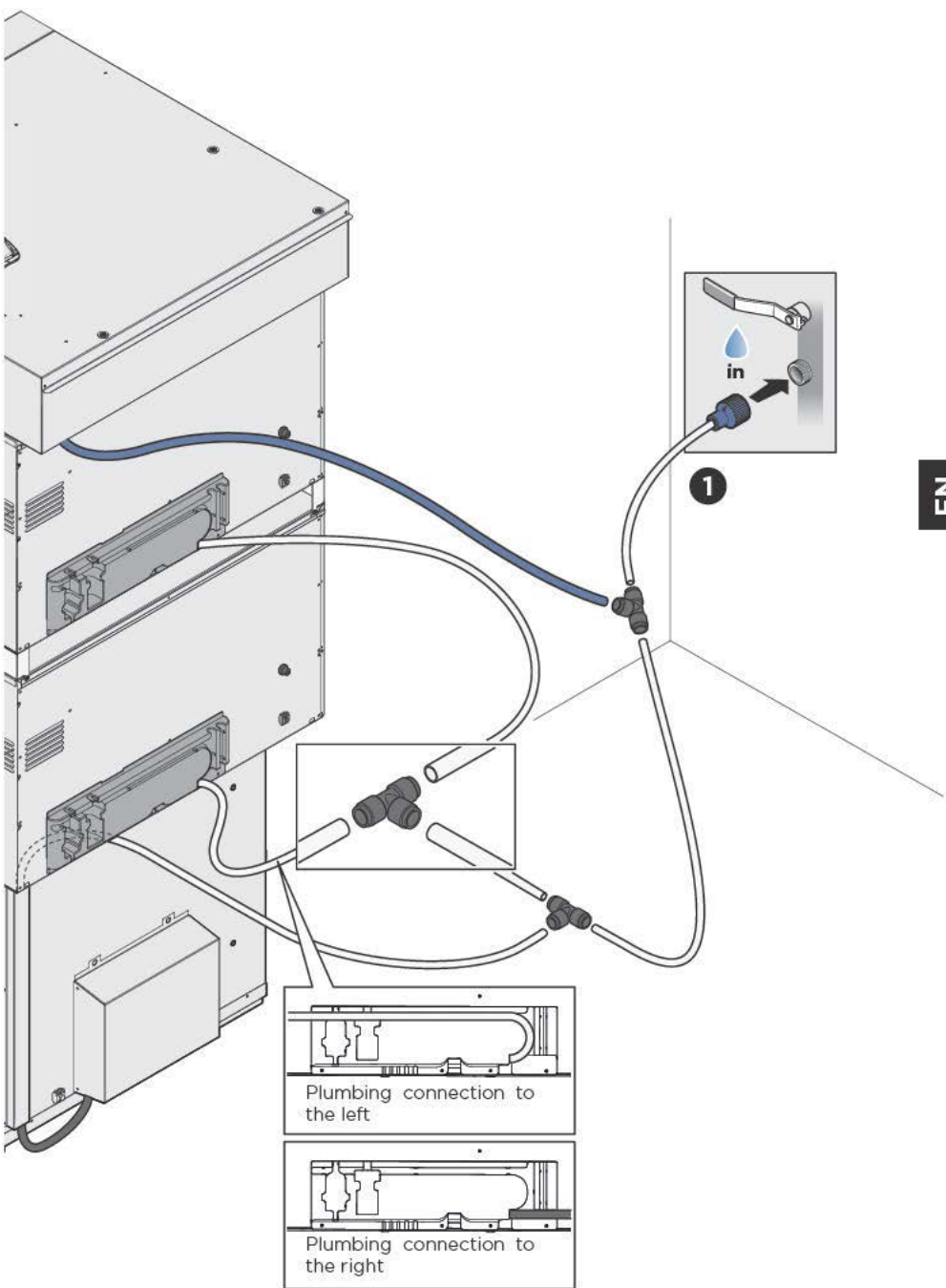
* use the reagent in the Cadco KSTR1081A kit

** hardness measured using the Cadco KSTR1082A kit

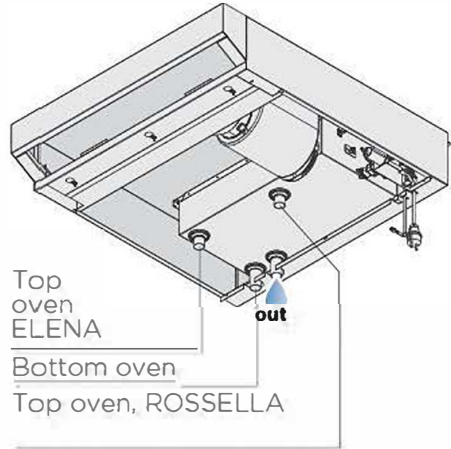
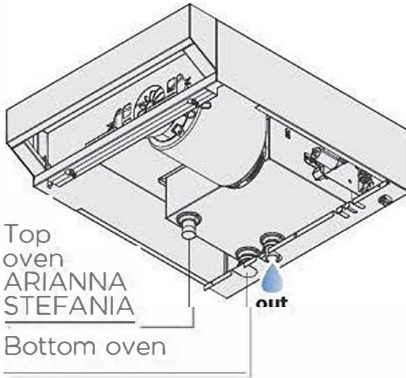
Should the water values for moisture generation differ from those shown, use a filter (**UNOX.Finest**).

- 1 cold water supply, thermally controlled by a temperature sensor (IN)

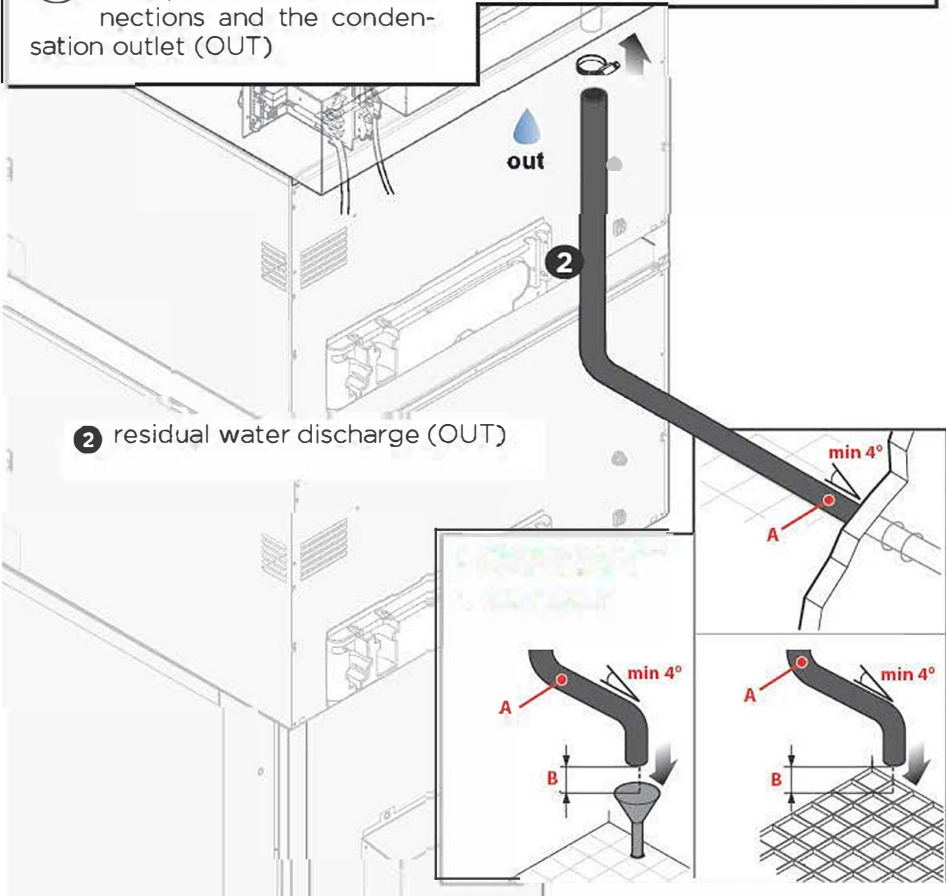




It is recommended that the hood use a floor drain to discard the spent water. In some cases a freestanding closed vessel can be used for water disposal, pending jurisdictional approvals.



! Make sure that you do not mix up the smoke flue connections and the condensation outlet (OUT)

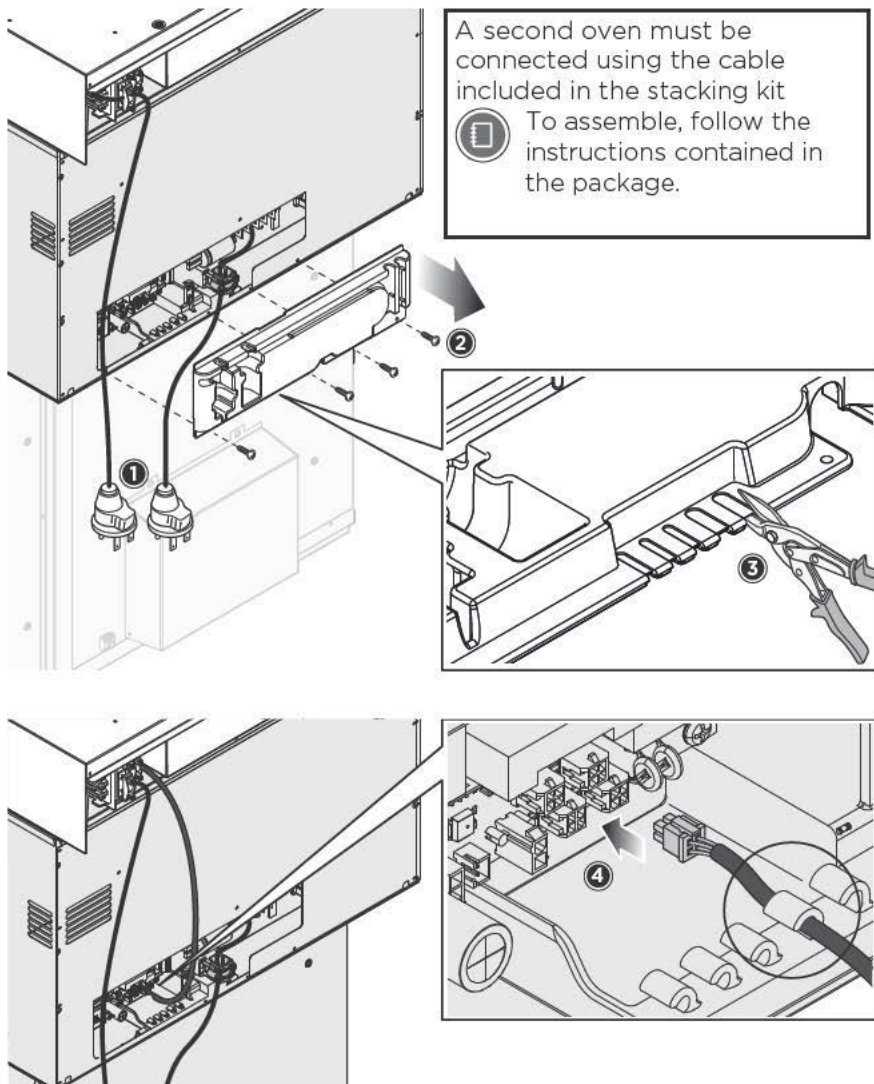


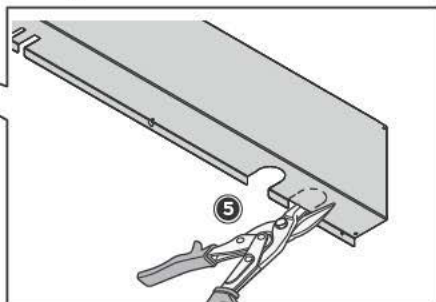
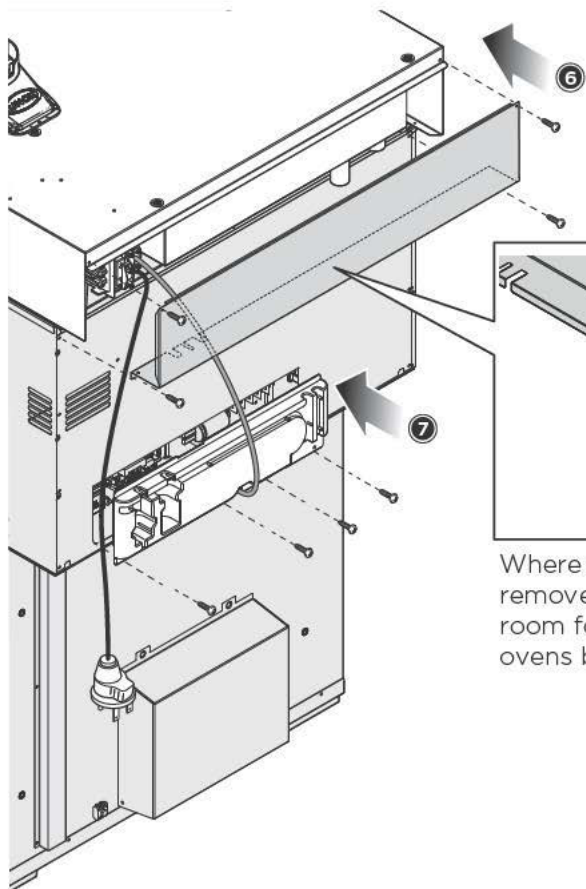
6

CONNECTING STACKED APPLIANCES (MAXI.Link)

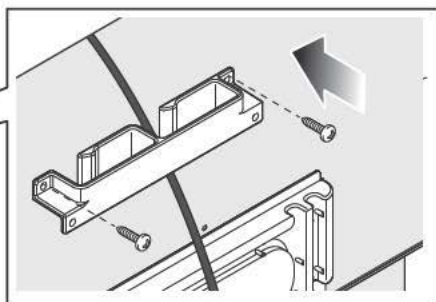
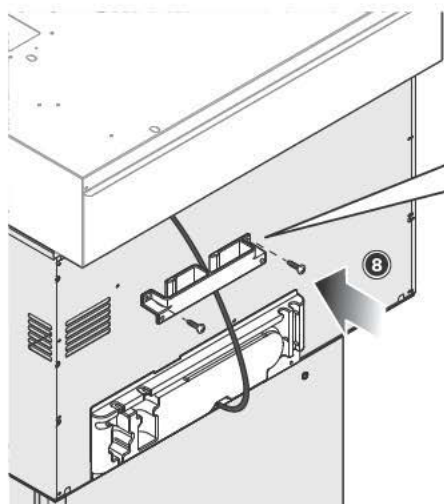
All ovens of the **BAKERLUX SHOP.Pro™** line are designed to be connected to accessories (prover, hood, etc.). The accessories connect to the oven using connectors on the back of the oven, which automatically connect.

- ⊕ Follow the instructions contained in the accessory and appliance packaging for information on how to fully install and manage them.



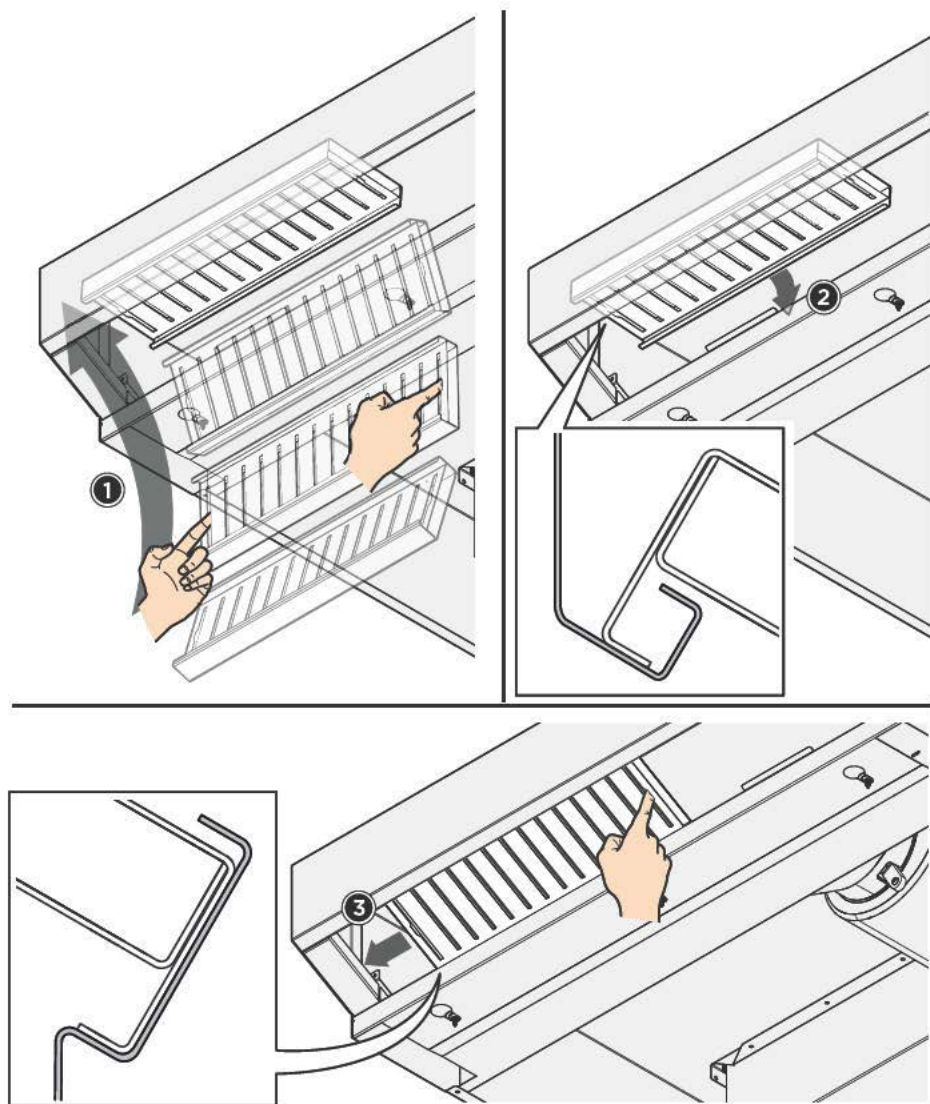


Where multiple ovens are stacked, remove the pre-cut part to make room for the smoke flues from the ovens below



7 INSTALLING THE FILTERS


Make sure filters are correctly positioned during installation (the filter with slots on both sides must be placed in correspondence with the oven handle, so that the steam is aspirated as soon as the oven door is opened).




HOODS

Use

⚠ WARNING Before use the appliance, carefully read the section “**Safety regulations**” on page 2.

 Clean the appliance thoroughly on first use (see chapter “**Maintenance**” on page 36).

 Use the appliance where the room temperature is between 41 °F to 104 °F maximum (5 °C to 35 °C).

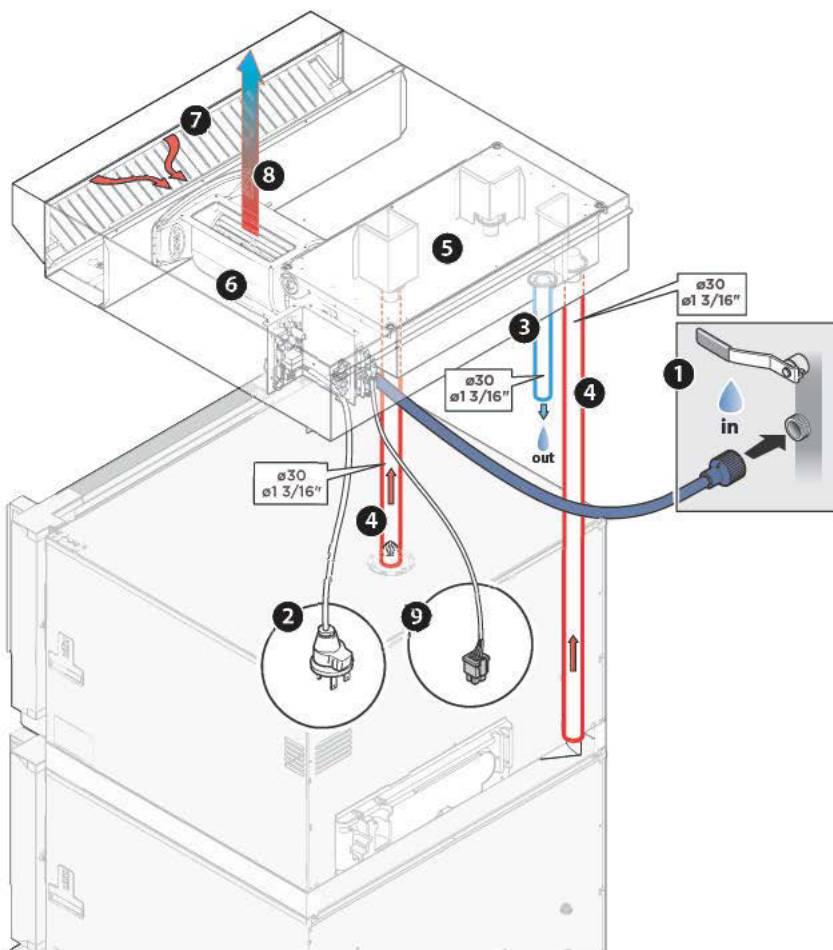
HOW THE HOOD WORKS

The appliances do not feature a control panel because they are automatically controlled by the oven to which they are connected via cable **9**.

During cooking (manual or scheduled), the hood automatically starts at minimum speed: cold water is loaded **1** and the condensing system, **5** which reduces the fumes coming from the underlying oven flues, starts **4**.

The mitigated smoke is evacuated in liquid form via a pipe on the back of the appliance **3**.

The hood speed increases when the oven door is opened in order to aspirate frontal smoke that escapes from the oven door **7**.



- 1 cold water supply thermally controlled by a temperature sensor
- 2 plug for connection to the electricity mains
- 3 residual water discharge
- 4 cavity moisture released from the flues of the ovens below
- 5 vapour condenser
- 6 2-speed aspiration motor
- 7 cavity moisture released from open door
- 8 exiting cold air
- 9 connecting cable between the hood and the oven

BAKERLUX SHOP.Pro™ Hoods

Maintenance

⚠ WARNING Before any routine maintenance procedure, carefully read the section “**Safety regulations**” on page 2.

! Any routine maintenance procedure must be performed:

- after disconnecting the appliance from the power and water supplies
- after having put on the proper personal protective equipment (gloves, etc.).

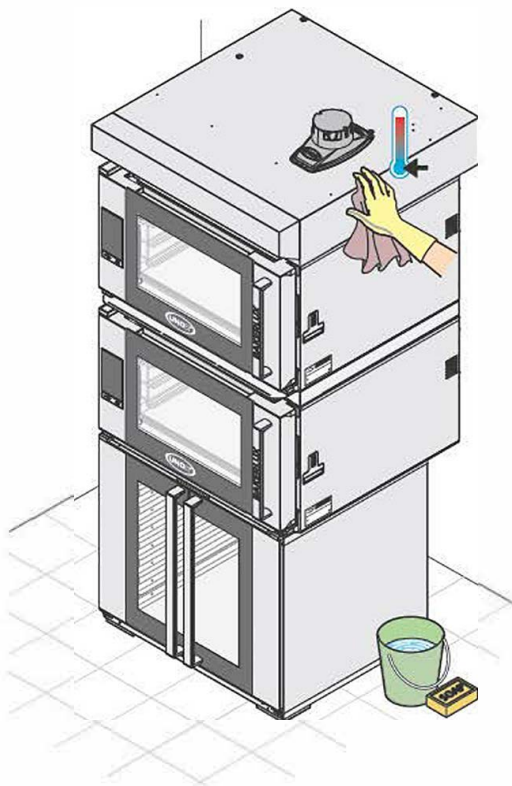
Do NOT clean using:

- abrasive or powder detergents;
- aggressive or corrosive detergents (e.g. hydrochloric/muriatic or sulphuric acid).
- abrasive or sharp tools (abrasive sponges, scrapers, steel bristled brushes, etc.);
- water jets.

EXTERNAL STEEL SURFACES

Wait for the surfaces to cool off.

Use a soft cleaning cloth dampened with a little soap and water only. Rinse and dry completely. Alternatively, only use detergents recommended by Cadco other products may cause damage, thereby invalidating the warranty*. Read the usage instructions provided by the detergent producer.




*For more information, go to www.cadco-ltd.com and visit the "Warranty" section

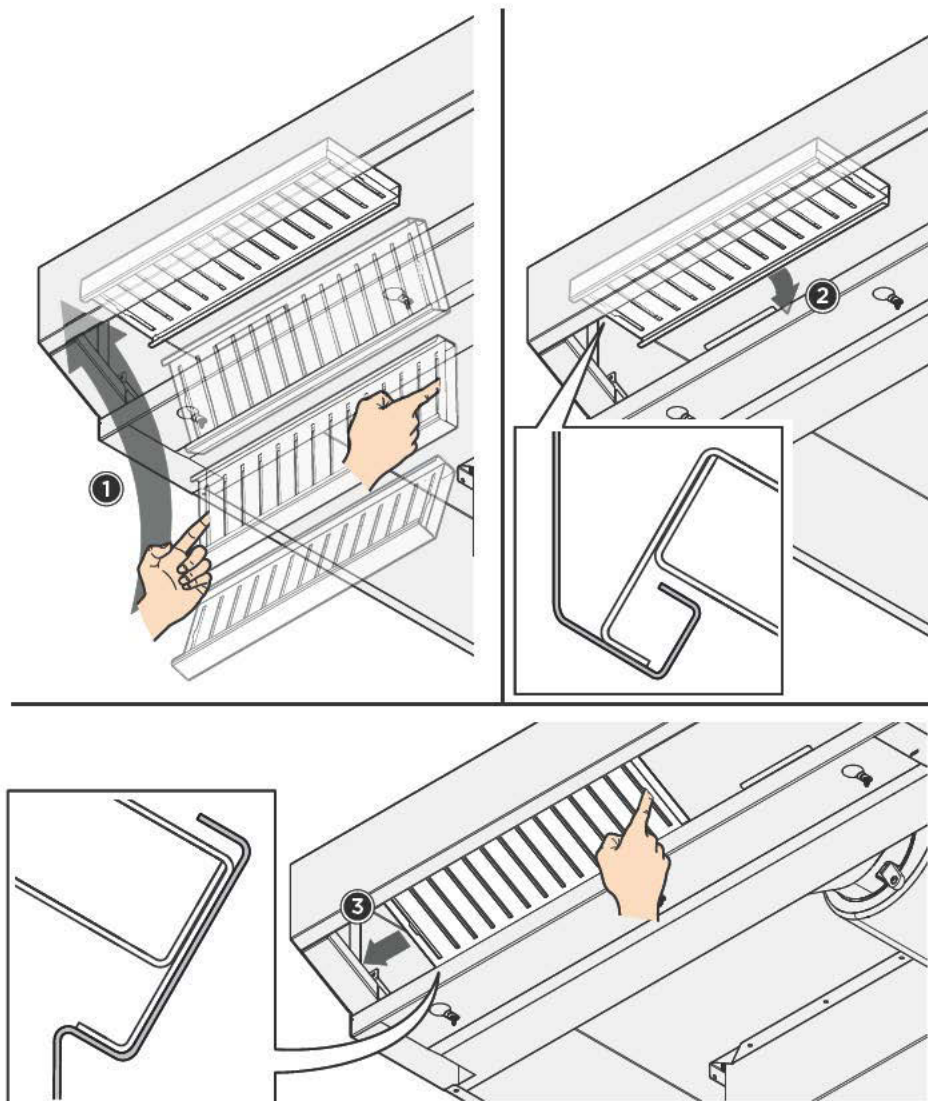
EXTERNAL FRONT FILTERS

Wait for the filters to cool off.

The front filters must be removed from time to time as shown in the figure and washed with soapy water or in the dishwasher.

Make sure that they are completely dry before re-mounting them.

 Never use the hood without the front filters.



INACTIVITY

During periods of inactivity, take the following precautions:

- disconnect the appliance from the power and water supplies;
- rub a soft cloth lightly doused with mineral oil on all stainless steel surfaces;

Before reusing the appliance:

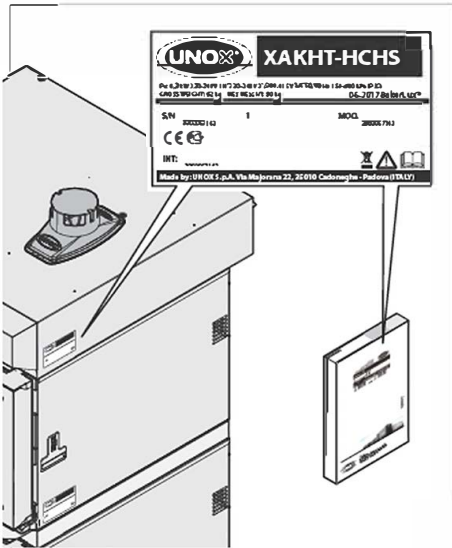
- clean the appliance and its accessories thoroughly (see chapter “**Maintenance**” on page 36);
- connect the appliance to the power and water supplies;
- inspect the appliance;



To ensure that the appliance is in perfect condition in terms of use and safety, maintenance and inspections should be performed yearly by an authorised support service centre.

AFTER-SALES ASSISTANCE

In case of any malfunctions, disconnect the appliance from its power and water supply. Consult the solutions proposed in the table.



If the solution is not listed in the table, contact a technical service centre authorised by Cadco Provide the following information:

- the date of purchase;
- the appliance data on the serial plate;
- any alarm messages that are shown on the display of the oven connected to the hood.

Manufacturer's information:

Cadco Ltd.
200 International Way
Winsted, CT 06098
(860) 738-2500
lsmith@cadco-ltd.com
www.cadco-ltd.com

Malfunction	Possible cause	Solution
The hood cannot be engaged when a cooking cycle is started.	The hood is not connected to the power supply.	Contact the Customer Assistance Service
	The hood was not connected to the oven vis RJ45 cable during installation.	
	The RJ45 cable that connects the oven to the hood is disconnected or damaged.	
	The hood motor is faulty.	
	The motor starter capacitor is faulty.	
	The hood P.C.B. is damaged.	
	The oven P.C.B. is damaged.	
The hood does not achieve maximum speed when the oven door is opened.	The RJ45 cable is disconnected or damaged.	Contact the Customer Assistance Service
	The hood motor is faulty.	
	The hood P.C.B. is damaged.	
	The oven P.C.B. is damaged.	
	Door switch faulty.	

Malfunction	Possible cause	Solution
The water condensation system is faulty.	Water inlet closed.	Open water inlet.
	Plumbing has not been done correctly.	Make sure the appliance is connected to the water supply.
	The water intake filter is clogged by impurities.	Clean the filter.
	The water intake solenoid is damaged.	Contact the Customer Assistance Service
	The temperature sensor is damaged.	
	The hood P.C.B. is damaged.	