



STAINLESS STEEL
ECONOMY HANDSINKS 
WITH SIDE SPLASH



Item #: _____ Qty #: _____
 Model #: _____
 Project #: _____



7-PS-EC-SP



7-PS-EC-SPRorL
(7-PS-EC-SPL Shown)



7-PS-EC-SP-NF



7-PS-71ECSPNF

FEATURES:

Deep Drawn sink bowl design.

Sink bowl is 10" x 14" x 5".

Sink bowl has a large liberal radii with a minimum dimension of 2" and are rectangular in design for increased capacity.

7 3/4" high side splashes.

Stainless steel 1-1/2" basket drain. 1-1/2" IPS.

Wall mount bracket.

7-PS-EC-SP & 7-PS-EC-SPR or L includes 4" O.C. economy splash mounted lead free compliant gooseneck faucet, chrome plated & furnished with aerator.

7-PS-EC-SP-NF - Faucet not included.

Two holes punched 4" O.C

7-PS-71ECSPNF - Faucet not included.

Single square hole punched.

CONSTRUCTION:

All TIG welded.

Welded areas blended to match adjacent surfaces and to a satin finish.

Die formed Countertop Edge with a No-Drip offset.

MATERIAL:

Heavy gauge type 304 series stainless steel.

Wall mounting bracket is Galvanized and of offset design.

All fittings are brass / chrome plated unless otherwise indicated.

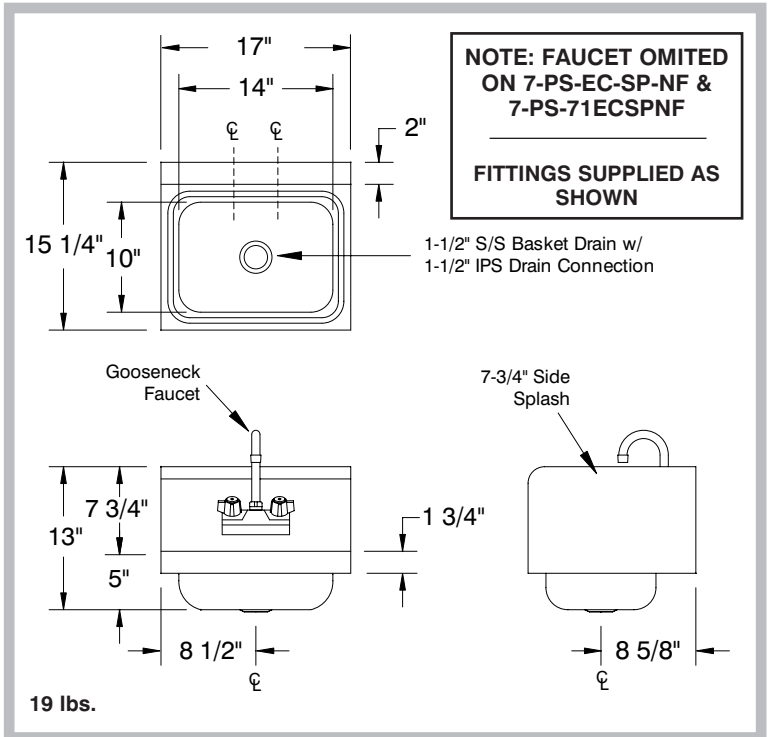
MECHANICAL:

Faucet supply is 1/2" IPS male thread hot and cold.
 (7-PS-EC-SP & 7-PS-EC-SPR or L Only)

DIMENSIONS and SPECIFICATIONS

TOL ± .500"

ALL DIMENSIONS ARE TYPICAL



**Standard Faucet conforms to NSF 61 Standard 9.
 Faucets Are AB1953 Lead Free Compliant.**



Customer Service Available To Assist You 1-800-645-3166 8:30 am - 8:00 pm E.S.T.

For Orders & Customer Service:

Email: customer@advancetabco.com or Fax: 631-242-6900

For Smart Fabrication™ Quotes:

Email: smartfab@advancetabco.com or Fax: 631-586-2933