

- FLP8 98-1/4"L x 34-1/8"D x 47-5/8"H
- FLP9 110-1/4"L x 34-1/8"D x 47-5/8"H

Included

- Adjustable lower front display
- Digital fahrenheit thermometer
- One year parts & labor warranty
- Three display levels



FLP8

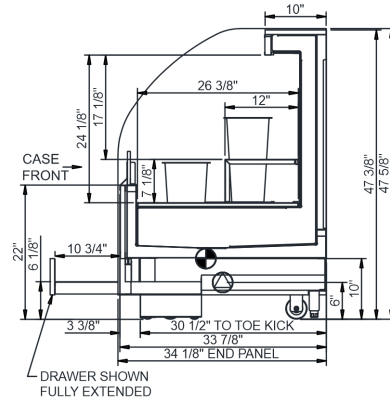
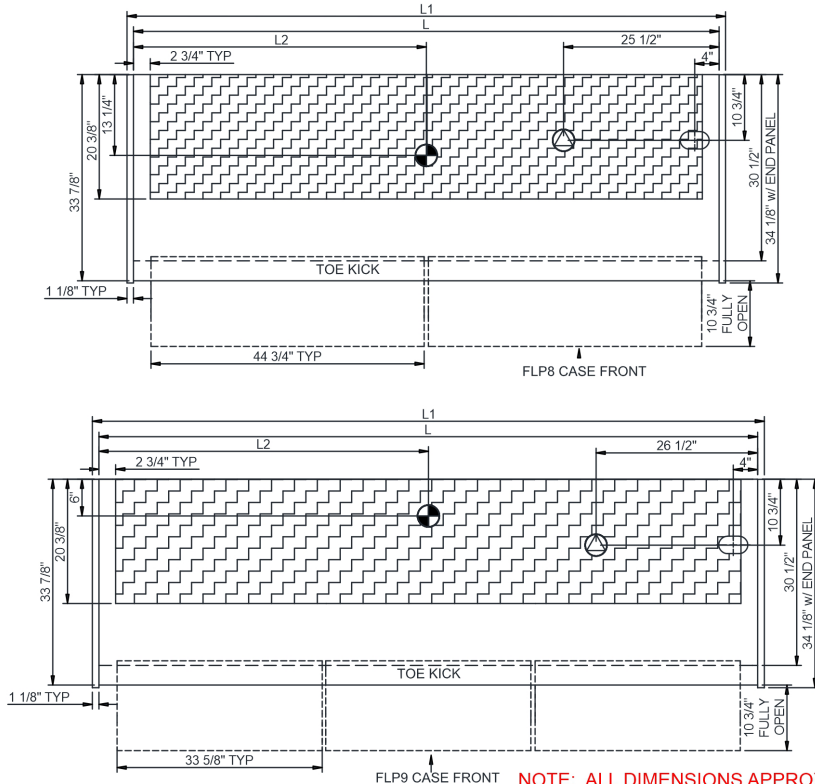
Specify	Standard Features	Additional Options
EXTERIOR COLOR	• Laminate (stock colors)	• Laminate (non-stock colors)
INTERIOR COLOR	• Powder coated Silversan Black	• Stainless steel
LOWER PANEL COLOR	• Powder coated Silversan Black	
REAR EXTERIOR COLOR	• Powder coated Silversan Black	
BASE SUPPORT	• Casters w/ levelers	
END PANELS	• Full w/stainless steel mirror interior	• Cutaway w/ glass
INTERIOR DISPLAY	¹ • 13"H x 8"Dia Buckets	
ELECTRICAL CONNECTION	• Electrical leads	
REFRIGERATION	• Remote DX refrigeration	• Remote DX w/thermostat, solenoid & TXV
SENSOR	• None	• CPC discharge air sensor (remote)
MISCELLANEOUS		• Second year parts & labor warranty

Std Notes: 1 - FLP8 = (24), FLP9 = (27)

Intended Environment: Type I - Designed to operate in ambient conditions of 75°F with 55% relative humidity unless noted otherwise in system information below.		
Zone	Intended Product To Be Displayed	Warmest Avg Prod Temp ° F
1	Floral products	40

PLAN VIEW

SIDE VIEW



NOTE: ALL DIMENSIONS APPROXIMATE

- ELECTRICAL JUNCTION BOX**
(SUPPLIED WITH 6" LEADS OR POWER CORD).
- LOCATION OF DRAIN TUBE FOR REMOTE REF.**
ONLY (SUPPLIED WITH 3/4" OR 1 1/2" PVC TUBE).

- REFRIGERATION LINE CONNECTION.**
- REMOTE FLOOR SINK & UTILITIES**
ACCESS AREA.

- SELF-CONTAINED CASE SERVICE ACCESS AREA.**
- DRY CASE SERVICE ACCESS AREA.**

Model Technical Specifications																
Model	L"	L1"	L2"	System Circuit Volts			Phs	Freq	Amps ***	Watts	Wires	NEMA Plug	SST	Conv. Rack BTUH	Para. Rack BTUH	Est Wt
FLP8	96.00	98.25	48.00	Remote (DX)	Circuit #1	110-120	1	60	1.06	104	2+G	Leads Multiple	26.00	5357	4960	N/A
				Remote (GLYCOL 35%)	Circuit #1	110-120	1	60	1.06	104	2+G	Leads Single	26.00	5357	4960	
				Remote (R744 TRANSCRIT)	Circuit #1	110-120	1	60	1.06	104	2+G	Leads Single		5357	4960	
FLP9	108.00	110.25	54.00	Remote (DX)	Circuit #1	110-120	1	60	1.10	108	2+G	Leads Single	26.00	6480	6000	N/A
				Remote (GLYCOL 35%)	Circuit #1	110-120	1	60	1.10	108	2+G	Leads Single	26.00	6480	6000	
				Remote (R744 LIQ OVERFE)	Circuit #1	110-120	1	60	1.18	118	2+G	Leads Single		6480	6000	

*** Does not include electric defrost on freezer models.

Regulatory Approvals:

All Models
 Accordance with AHRI Std 1200
 ETL Listed to UL 471
 ETL Listed to CAN/CSA 22.2 No. 120



In Accordance with
AHRI Std 1200

DOE 2017
 Energy Efficiency
 Compliant

Important Notes:

- ELECTRICAL NOTE:** If GFCI is required, a GFCI breaker MUST be used in lieu of a GFCI receptacle.
- Units must be shimmed during installation to ensure the unit is level and plumb.
- Keep unit at least 15' from exterior doors, 10' from overhead HVAC vents, 5' from exterior windows.
- Performance issues (product temperatures, water on floor, etc) caused by adverse conditions are not covered by warranty.

⚠ WARNING: This product can expose you to chemicals, including Urethane (Ethyl Carbamate), which are known to the State of California to cause cancer and birth defects or other reproductive harm. For more information go to www.P65Warnings.ca.gov.