

"SBO-G" WOOD TOP BAKERS TABLE FRAMES

16GA Galvanized Base & Bracing - Top Sold Separately

FEATURES:

- Galvanized Base Is Fabricated From 1-1/2" 16GA Square Tube
- Legs Are 1-5/8" 16GA Round O.D. Tubing
- Bracing Is 1-1/4" 16GA Round O.D. Tubing Secured In A Fixed Position, 12" Above Floor
- Adjustable Bullet Feet
- Standard Welded Set-Up, Available K.D. For Freight Saving
- Wood Top Sold Separately

SPECIFICATIONS:

- Base: Galvanized Bases Are MIG Welded
- Frame: 1-1/2" 16GA Square O.D. Galvanized Steel
- Bracing: 1-1/4" 16GA Round O.D. Galvanized Steel
- Legs: 1-5/8" 16GA Round O.D. Galvanized Steel
- Gussets: Galvanized Steel
- Feet: 1" Adjustable Galvanized Steel Bullet Feet

CERTIFICATIONS:



SBO-G09 (SHOWN WITH 2-1/4" THICK NORTHERN HARD ROCK MAPLE TOP, MODEL SERIES "BKSC")

ACCESSORIES

DESCRIPTION

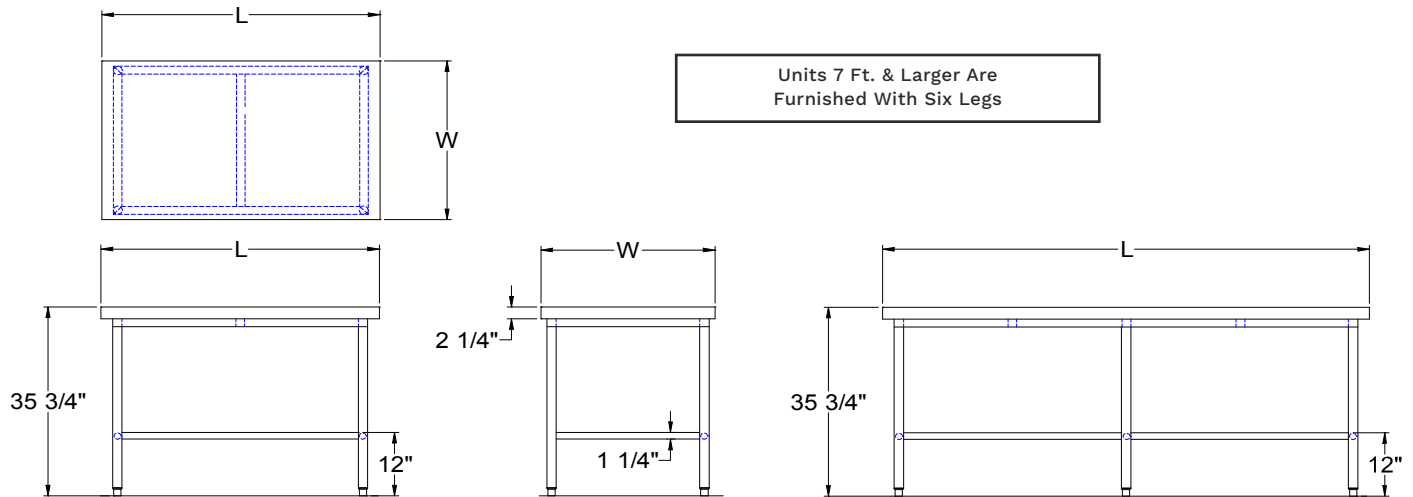
- Drawer
- Drawer Lock
- Undershelf
- Casters
- Overshelves
- Pot Rack

"SBO-G" WOOD TOP BAKERS TABLE FRAMES

TOP SIZE (L X W)	FRAME ONLY	WT	2-1/4" WOOD TOP ADD-ON	WT	1-3/4" WOOD TOP ADD-ON	WT	BOTTOM BRACING LOCATION
48"x30"	SBO-G01	32	BKSC760	99	SC011-O	70	Rear
60"x30"	SBO-G03	36	BKSC770	124	SC012-O	88	Rear
72"x30"	SBO-G05	38	BKSC780	149	SC013-O	105	Rear
84"x30"	SBO-G08	53	BKSC790	174	SC014-O	122	Rear
96"x30"	SBO-G12	56	BKSC800	198	SC015-O	135	Rear
108"x30"	SBO-G12A	60	BKSC810	223	SC016-O	158	Rear
120"x30"	SBO-G17	62	BKSC820	248	SC017-O	175	Rear
144"x30"	SBO-G22	69	BKSC840	297	SC018-O	210	Rear
168"x30"	SBO-G27	86	BKSC860	347	-	-	Rear
48"x36"	SBO-G02	34	BKSC480	119	SC020-O	84	Rear
60"x36"	SBO-G04	37	BKSC490	149	SC021-O	105	Rear
72"x36"	SBO-G06	40	BKSC010	179	SC022-O	126	Rear
84"x36"	SBO-G09	56	BKSC020	208	SC023-O	147	Rear
96"x36"	SBO-G13	59	BKSC030	238	SC024-O	168	Rear
108"x36"	SBO-G13A	62	BKSC040	268	SC025-O	189	Rear
120"x36"	SBO-G18	66	BKSC050	297	SC026-O	210	Rear
144"x36"	SBO-G23	72	BKSC070	357	SC027-O	252	Rear
168"x36"	SBO-G28	90	BKSC090	416	-	-	Rear
72"x48"	SBO-G07	50	BKSC230	243	SC133-O	168	Centered
84"x48"	SBO-G10	64	BKSC240	284	SC124-O	196	Centered
96"x48"	SBO-G14	67	BKSC250	324	SC125-O	224	Centered
108"x48"	SBO-G14A	70	BKSC260	365	SC126-O	252	Centered
120"x48"	SBO-G19	74	BKSC270	405	SC127-O	280	Centered
144"x48"	SBO-G24	80	BKSC290	486	SC129-O	336	Centered
168"x48"	SBO-G29	102	BKSC310	567	-	-	Centered
84"x60"	SBO-G11	72	BKSC350	355	SC135-O	245	Centered
96"x60"	SBO-G15	76	BKSC360	405	SC136-O	280	Centered
108"x60"	SBO-G15A	78	BKSC370	456	SC137-O	315	Centered
120"x60"	SBO-G20	82	BKSC380	507	SC138-O	350	Centered
144"x60"	SBO-G25	88	BKSC400	608	SC140-O	420	Centered
168"x60"	SBO-G30	113	BKSC420	709	-	-	Centered

ALL DIMENSIONS ARE TYPICAL. TOLERANCE +/- .500". JOHN BOOS & CO. RESERVES THE RIGHT TO CHANGE SPECIFICATIONS WITHOUT NOTICE.

DETAILED SPECIFICATIONS



"SBO-G" WOOD TOP BAKERS TABLE FRAMES

TOP SIZE (L X W)	FRAME ONLY	WT	2-1/4" WOOD TOP ADD-ON	WT	1-3/4" WOOD TOP ADD-ON	WT	BOTTOM BRACING LOCATION
48"x30"	SBO-G01	32	BKSC760	99	SC011-O	70	Rear
60"x30"	SBO-G03	36	BKSC770	124	SC012-O	88	Rear
72"x30"	SBO-G05	38	BKSC780	149	SC013-O	105	Rear
84"x30"	SBO-G08	53	BKSC790	174	SC014-O	122	Rear
96"x30"	SBO-G12	56	BKSC800	198	SC015-O	135	Rear
108"x30"	SBO-G12A	60	BKSC810	223	SC016-O	158	Rear
120"x30"	SBO-G17	62	BKSC820	248	SC017-O	175	Rear
144"x30"	SBO-G22	69	BKSC840	297	SC018-O	210	Rear
168"x30"	SBO-G27	86	BKSC860	347	-	-	Rear
48"x36"	SBO-G02	34	BKSC480	119	SC020-O	84	Rear
60"x36"	SBO-G04	37	BKSC490	149	SC021-O	105	Rear
72"x36"	SBO-G06	40	BKSC010	179	SC022-O	126	Rear
84"x36"	SBO-G09	56	BKSC020	208	SC023-O	147	Rear
96"x36"	SBO-G13	59	BKSC030	238	SC024-O	168	Rear
108"x36"	SBO-G13A	62	BKSC040	268	SC025-O	189	Rear
120"x36"	SBO-G18	66	BKSC050	297	SC026-O	210	Rear
144"x36"	SBO-G23	72	BKSC070	357	SC027-O	252	Rear
168"x36"	SBO-G28	90	BKSC090	416	-	-	Rear
72"x48"	SBO-G07	50	BKSC230	243	SC133-O	168	Centered
84"x48"	SBO-G10	64	BKSC240	284	SC124-O	196	Centered
96"x48"	SBO-G14	67	BKSC250	324	SC125-O	224	Centered
108"x48"	SBO-G14A	70	BKSC260	365	SC126-O	252	Centered
120"x48"	SBO-G19	74	BKSC270	405	SC127-O	280	Centered
144"x48"	SBO-G24	80	BKSC290	486	SC129-O	336	Centered
168"x48"	SBO-G29	102	BKSC310	567	-	-	Centered
84"x60"	SBO-G11	72	BKSC350	355	SC135-O	245	Centered
96"x60"	SBO-G15	76	BKSC360	405	SC136-O	280	Centered
108"x60"	SBO-G15A	78	BKSC370	456	SC137-O	315	Centered
120"x60"	SBO-G20	82	BKSC380	507	SC138-O	350	Centered
144"x60"	SBO-G25	88	BKSC400	608	SC140-O	420	Centered
168"x60"	SBO-G30	113	BKSC420	709	-	-	Centered

ALL DIMENSIONS ARE TYPICAL. TOLERANCE +/- .500". JOHN BOOS & CO. RESERVES THE RIGHT TO CHANGE SPECIFICATIONS WITHOUT NOTICE.