

- **NR3655RSSA.MOB** 41-1/4"L x 33-1/8"D x 61-1/4"H
- **NR4855RSSA.MOB** 53-1/4"L x 38-1/8"D x 61-1/4"H
- **NR6055RSSA.MOB** 65-1/4"L x 38-1/8"D x 61-1/4"H
- **NR7255RSSA.MOB** 77-1/4"L x 38-1/8"D x 61-1/4"H

Included

- NOTE: Glass warranty only applicable to first point of delivery
- Breeze~E (Type-II) self-contained refrigeration
- (3) Levels of clear glass shelving removable and adjustable on 1" centers
- Blue Fin coated coil
- Condensate pan w/splash guard (self-contained refrig. only)
- Exposed locking casters
- Integrated average product temperature of 40°F or less
- Integrated bumper handle (removable to fit through doors)
- LED top & shelf lights
- One piece formed ABS plastic tub
- One year parts & labor; 5 year compressor warranty

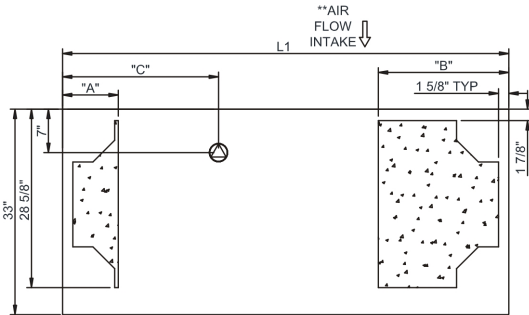


NR3655RSSA.MOB

Specify	Standard Features	Additional Options
FRAME EXTERIOR COLOR	• Powder coated Silversan Black	• Powder coated (stock/non-stock colors) • Stainless steel
INTERIOR COLOR	• Powder coated Silversan Black	• NOTE: Interior color must be FDA & NSF approved • Powder coated (stock colors, specify RAL#) • Stainless steel
PANEL EXTERIOR	• Powder coated Silversan Black	• Powder coated (stock colors, specify RAL#) • Stainless steel
LOWER REAR PANEL	• Powder coated Silversan Black	• Powder coated (stock colors, specify RAL#) • Stainless steel
REAR DOORS	• None (solid back panel)	• Clear glass rear sliding doors • Reflective glass rear sliding doors
LIGHTS	• LED 3500K w/ frosted lens	• LED 3000K w/ frosted lens • LED 4000K w/ frosted lens
ELECTRICAL CONNECTION	• 10' Straight blade power cord (self-cont.)	• 10' Locking power cord (self-cont.)
REFRIGERATION	• Breeze~E (Type-II) self-contained refrigeration (rear access)	
MISCELLANEOUS		• Rear door lock • Second year parts & labor warranty (excludes compressor)
ACCESSORIES		• Clean Sweep® coil cleaner (self-cont.) • Night curtain, retractable, non-locking • Removable clear acrylic security cover, locking

Intended Environment: Type II - Designed to operate in ambient conditions of 80°F and 55% relative humidity unless noted otherwise in system information below.		
Zone	Intended Product To Be Displayed	Warmest Avg Prod Temp ° F
1	Packaged refrigerated products	40

PLAN VIEW

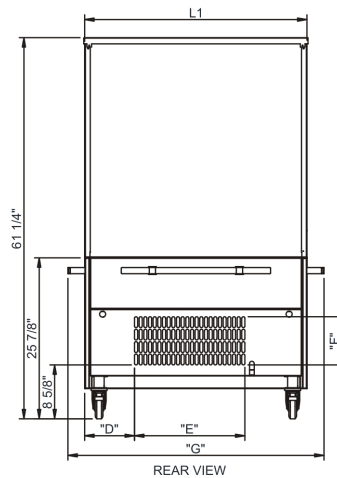
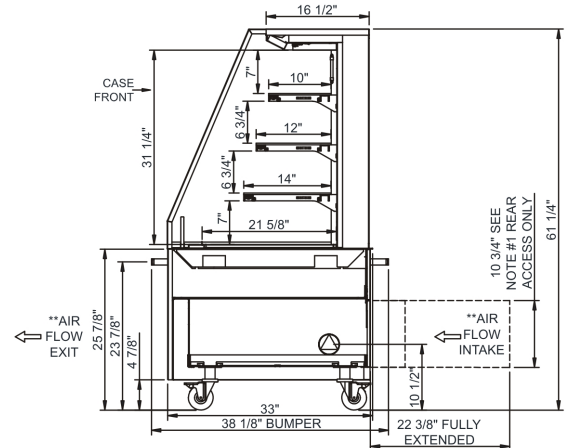


	"A"	"B"	"C"
NR3655RSSA.MOB	*N/A	*N/A	7"
NR4855RSSA.MOB	*N/A	*N/A	12 3/4"
NR6055RSSA.MOB	9"	9"	24 3/4"
NR7255RSSA.MOB	9"	21"	25 1/8"

NOTE:
*SELF-CONTAINED ACCESS ONLY BY PULLING OUT CONDENSER UNIT.

	"D"	"E"	"F"	"G"
NR3655RSSA.MOB	8"	17 3/4"	7 3/4"	41 1/4"
NR4855RSSA.MOB	7"	30 1/2"	7 3/4"	53 1/4"
NR6055RSSA.MOB	13"	30 1/2"	7 3/4"	65 1/4"
NR7255RSSA.MOB	25"	30 1/2"	7 3/4"	77 1/4"

SIDE VIEW



NOTE: ALL DIMENSIONS APPROXIMATE

- ELECTRICAL JUNCTION BOX (SUPPLIED WITH 6" LEADS OR POWER CORD).
- LOCATION OF DRAIN TUBE FOR REMOTE REF. ONLY (SUPPLIED WITH 3/4" OR 1 1/2" PVC TUBE).

- REFRIGERATION LINE CONNECTION.
- REMOTE FLOOR SINK & UTILITIES ACCESS AREA.

- SELF-CONTAINED CASE SERVICE ACCESS AREA.
- DRY CASE SERVICE ACCESS AREA.

Model Technical Specifications

Model	L"	L1"	L2"	System Circuit Volts	Circuit #1	Phs	Freq	Amps ***	Watts	Wires	NEMA Plug	SST	Conv. Rack BTUH	Para. Rack BTUH	Est Wt	
NR3655RSSA.MOB	N/A	41.25	.00	Self-Contained (R513A)	Circuit #1	110-120	1	60	16.00	1,187	2+G	5-20P or L5-20P	N/A	N/A	N/A	900
NR4855RSSA.MOB	N/A	53.25	4.13	Self-Contained (R513A)	Circuit #1	208-240	1	60	11.11	1,634	2+G	6-15P or L6-15P	N/A	N/A	N/A	1,000
NR6055RSSA.MOB	N/A	65.25	4.13	Self-Contained (R513A)	Circuit #1	208-240	1	60	12.00	1,896	2+G	6-15P or L6-15P	N/A	N/A	N/A	1,100
NR7255RSSA.MOB	N/A	77.25	4.13	Self-Contained (R513A)	Circuit #1	208-240	1	60	12.00	1,909	2+G	6-15P or L6-15P	N/A	N/A	N/A	1,200

*** Does not include electric defrost on freezer models.

Regulatory Approvals:

All Models
 Accordance with AHRI Std 1200
 ETL Listed to UL 471
 ETL Listed to CAN/CSA 22.2 No. 120
 ETL Sanitation to NSF/ANSI 7



In Accordance with
AHRI Std 1200

DOE 2017
Energy Efficiency
Compliant

Important Notes:

- 1) ELECTRICAL NOTE: If GFCI is required, a GFCI breaker MUST be used in lieu of a GFCI receptacle
- 2) Glass warranty only applicable to first point of delivery.
- 3) Compressor air intake from rear and out front panel at toe kick. Front panel cannot be blocked.

⚠ WARNING: This product can expose you to chemicals, including Urethane (Ethyl Carbamate), which are known to the State of California to cause cancer and birth defects or other reproductive harm. For more information go to www.P65Warnings.ca.gov.