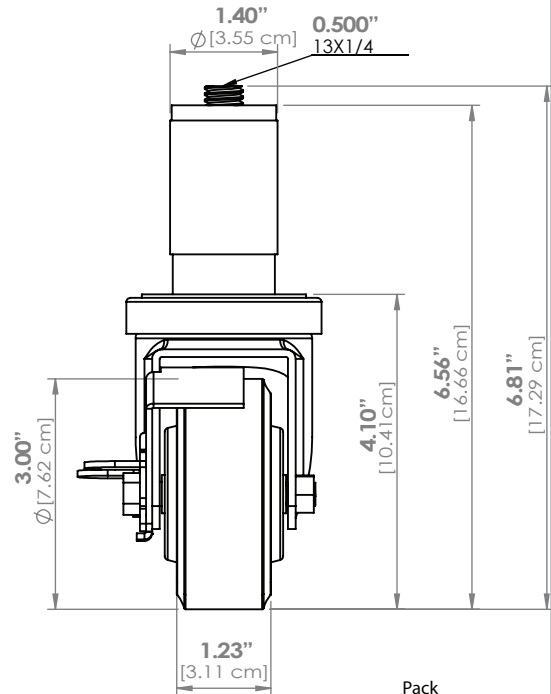
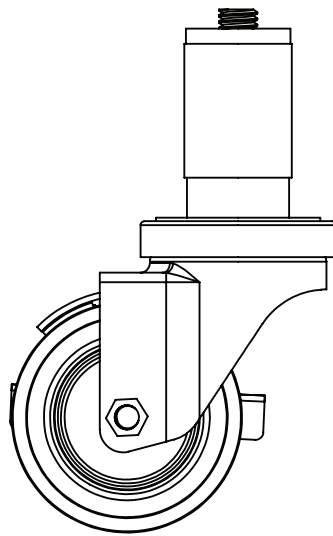
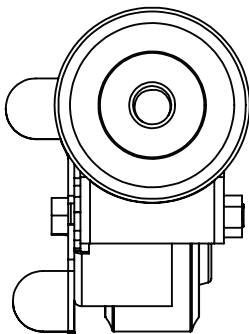




3" POLYURETHANE EXPANDABLE STEM CASTERS [FECST3]

- **Design:** 3" (7.6 cm) diameter, 1" (2.5 cm) face, heavy-duty, non-marking polyurethane wheel with rubber stem casters that expand inside worktable legs when tightened for a snug fit.
- **Load Rating:** Each caster has a load rating of 200 lbs. (91 kg).



| Item # | Description | Pack |
|---------|---|--------|
| FECST3* | Set of 4 each 3" (7.6 cm) expandable stem casters with brakes | 4 sets |
| FECST3E | Individual 3" (7.6 cm) expandable stem caster with brake | 4 |

* Shipped in full color trilingual merchandising carton.