



# FRYING

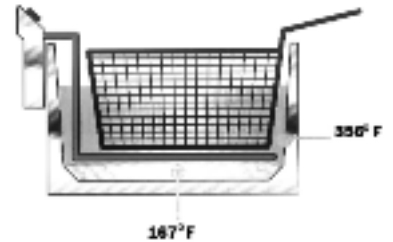
## CONCEPT

### COUNTERTOP FRYERS

- Fast heat rise
- Easy to disassemble for cleaning
- Night cover to keep the fryer clean
- Built-in safety thermostat
- Stainless steel construction
- Baskets are fitted with heat resistant handles



*Cold Zone Design*



### SMALL FRY

**RF5S**

120 V

*Compact Design - Big Taste*



**OIL CAPACITY:**

10 lbs / 1 basket

**FRESH FRIES OUTPUT:**

up to 22 lbs / hr

### FRY RITE

**RF8SP**

208/240 V

*Portable Commercial Fryer*



**OIL CAPACITY:**

15 lbs / 1 basket

**FRESH FRIES OUTPUT:**

up to 40 lbs / hr

### MIGHTY MAX

**RF12SP**

208/240 V

*Compact Professional Fryer*



**OIL CAPACITY:**

25 lbs / 1 or 2 baskets

(specify when ordering)

**FRESH FRIES OUTPUT:**

up to 50 lbs / hr



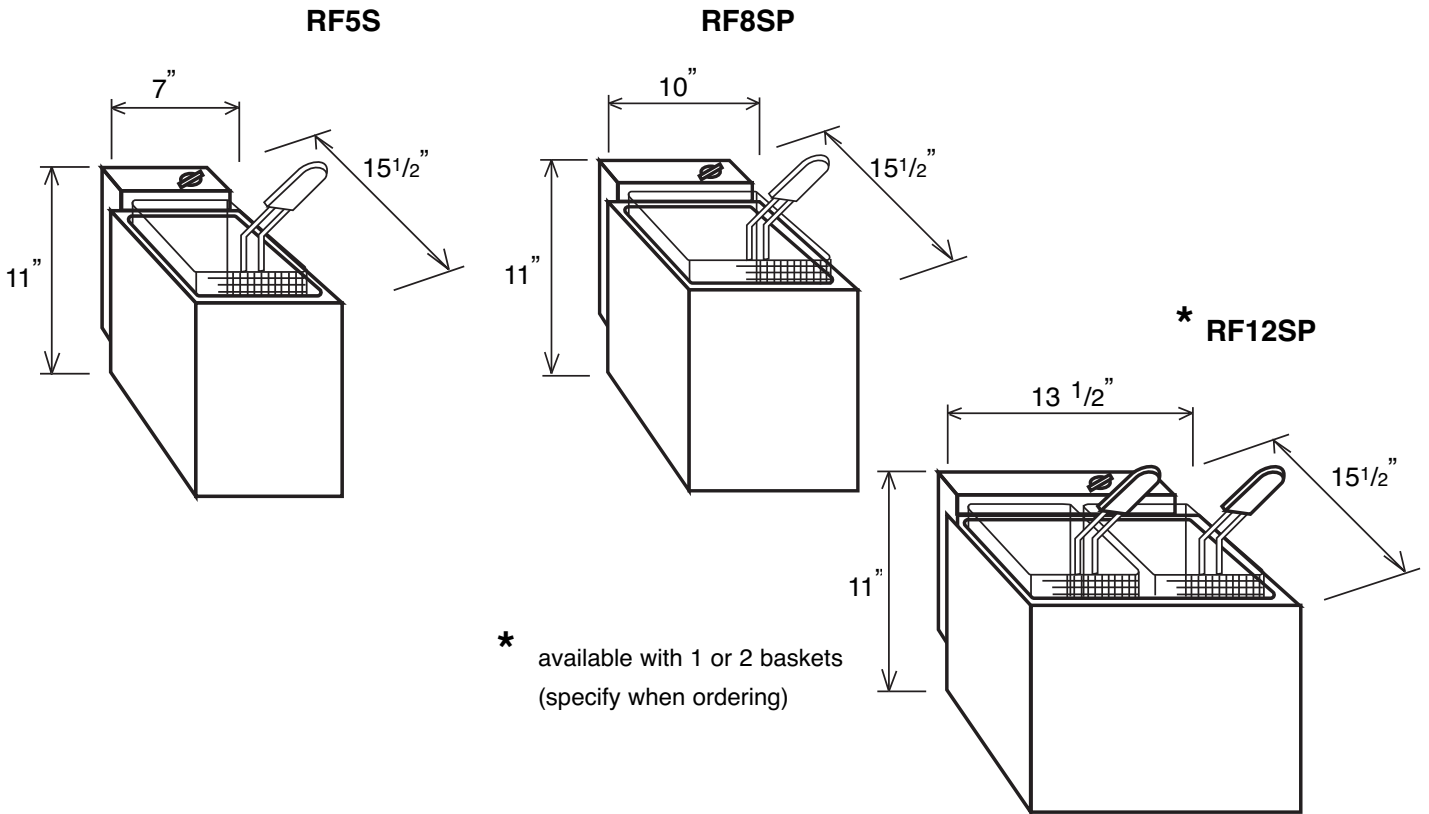
100 NIAN TIC AVENUE; SUITE 104 PROVIDENCE, RI 02907

TEL: (401)273-3300 FAX: (401)273-3328 E-mail: sales@equipex.com

www.equipex.com



**COUNTERTOP FRYERS**



**SPECIFICATIONS**

MODEL	ELECTRICAL	DIMENSIONS	BASKET DIMENSIONS	SHIPPING WEIGHT	NEMA PLUG
RF5S	120V, 1.75KW, 15 Amps	7"Wx15 1/2"Dx11"H	5"Wx10"Dx4"H	20 lbs	5-15 P
RF8SP	208/240V, 1PH, 5KW, 22/24 Amps	10"Wx15 1/2"Dx11"H	8"Wx10"Dx4"H	25 lbs	L6-30 P
RF12SP	208/240V, 1PH, 6.5KW, 28/31 Amps	13 1/2"Wx15 1/2"Dx11"H	12"Wx10"Dx4"H	30 lbs	6-50 P

**WARRANTY: Limited one year parts and labor**



100 NIAN TIC AVENUE; SUITE 104 PROVIDENCE, RI 02907  
 TEL: (401)273-3300 FAX: (401)273-3328 E-mail: sales@equipex.com  
 www.equipex.com

