

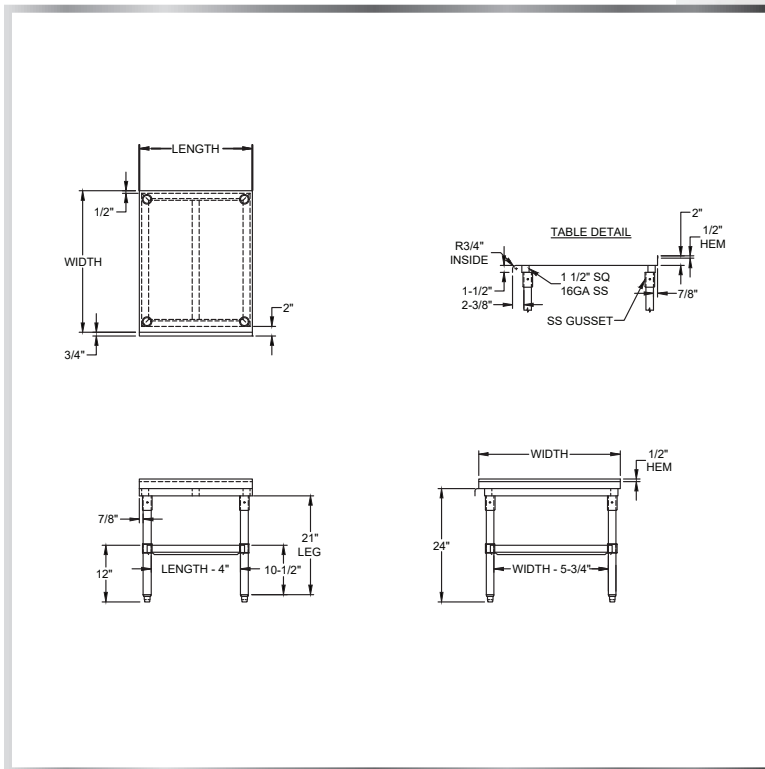
# PREMIUM EQUIPMENT STAND

## STANDS - EQUIPMENT



### MATERIALS

- 18 Gauge 430 Series Stainless Steel Top
  - Stainless Steel Lower Shelf
- Stainless Steel Legs and Bullet Feet



### FEATURES

- 2" Turned Up Edge on Back and Sides
- Adjustable Lower Shelf and Bullet Feet
- \*ESS-7230 Has 6 Legs

MODEL NUMBER	LENGTH	WIDTH
ESS-1530	16"	30"
ESS-1830	19"	30"
ESS-2430	25"	30"
ESS-3630	37"	30"
ESS-4830	49"	30"
ESS-6030	61"	30"
ESS-7230	73"	30"

(609) 642 - 8389 | SALES@NBREQUIPMENT.COM | WWW.NBREQUIPMENT.COM

NBR EQUIPMENT, 10 ABEEL ROAD, CRANBURY, NJ 08512