

- Improve the flow and function of your space by having refrigerated items where you need them most
- Solid door models
- Push carts directly into unit
- LED lighting



UCRE633-SS31A



UCRE666-SS71A

Model	Description	Voltage/Hz/Amps	Shipping Weight
UCRE633-SS31A	Roll-in Refrigerator with Single Solid Door	115v / 60hz / 9.6	441 lb
UCRE666-SS71A	Roll-in Refrigerator with Double Solid Door	115v / 60hz / 19.2	639 lb

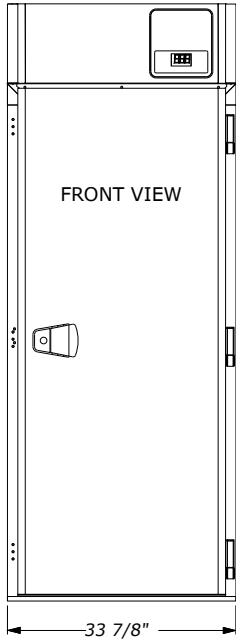
### Specifications

UCRE633-SS31A dimensions: 88 1/2" H x 33 7/8" W x 45 1/2" D
UCRE666-SS71A dimensions: 88 1/2" H x 66 7/8" W x 45 1/2" D
UCRE633-SS31A: Environmentally friendly R290 refrigerant - 3.5 oz
UCRE666-SS71A: Environmentally friendly R290 refrigerant - 7.0 oz
UCRE633-SS31A: Factory pre-wired for dedicated outlet, 11 ft cord and plug included NEMA 5-15P
UCRE666-SS71A: Factory pre-wired for dedicated outlet, 11 ft cord and plug included NEMA 5-20P
UCRE633-SS31A volume: 35.8 cu ft
UCRE666-SS31A volume: 79 cu ft
AISI 304 stainless steel interior and exterior with lock
Autodefrost
CFC-free high density polyurethane insulated cabinet
Electronic digital temperature control with alarms
Epoxy coated, sealed evaporator eliminates potential of corrosion
Fixed stainless steel loading ramp
High efficiency compressor, top mount
High efficiency evaporator coil & condenser
NSF/ANSI Standard 7 compliant
Temperature range: 28°F to 46°F

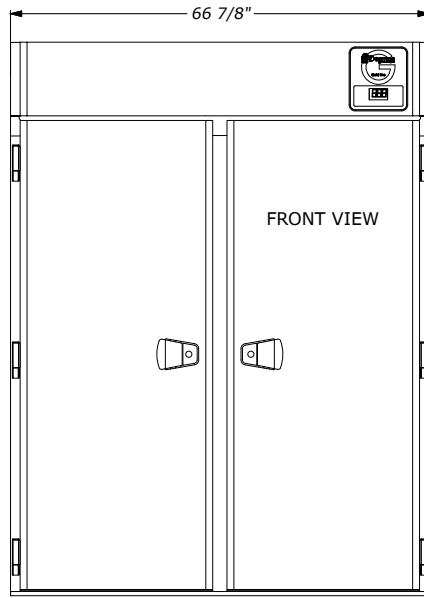


**Product Specifications • Roll-In Refrigerators**

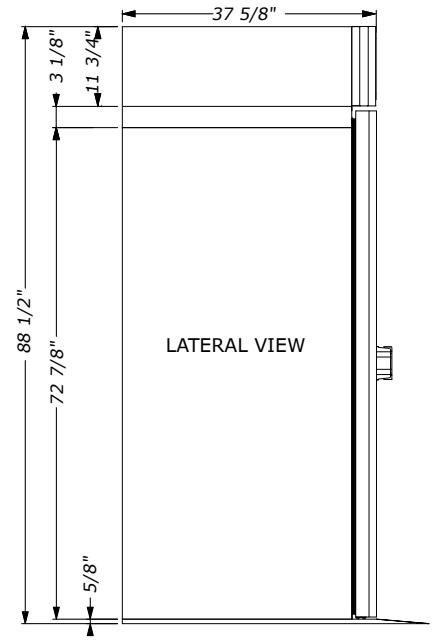
**Front UCRE633 (Open)**



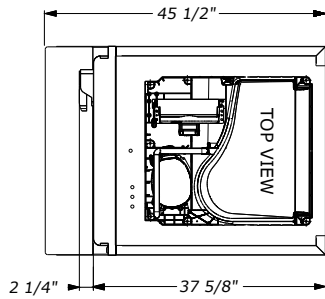
**Front UCRE666 (Open)**



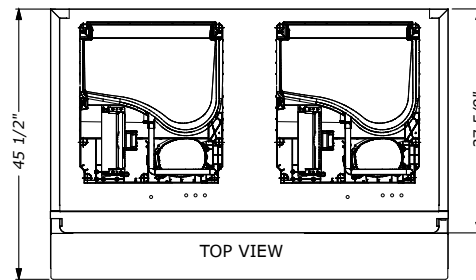
**Side UCRE633/666**



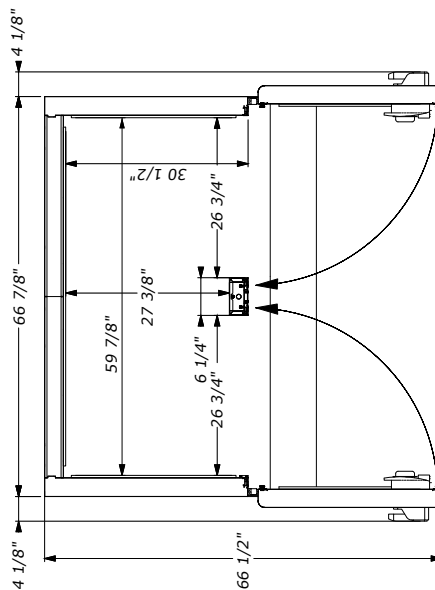
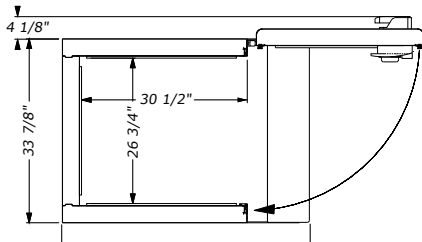
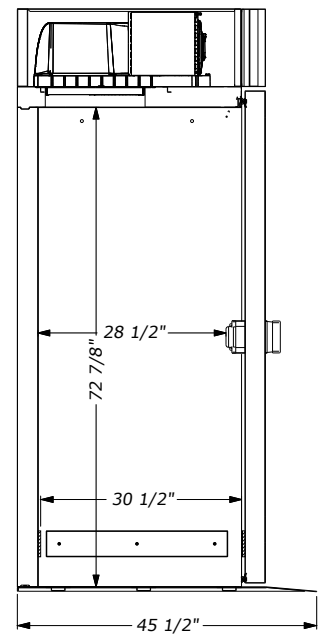
**Top UCRE633**



**Top UCRE666**



**Back UCRE633/666**



**Commercial Warranty**

3 Year (parts & labor) / 5 year sealed system (parts)

See complete warranty for details

