



T&S BRASS AND BRONZE WORKS, INC.

2 Saddleback Cove / P.O. Box 1088
Travelers Rest, SC 29690

Model No.

B-0651-POL

Item No.

Travelers Rest, SC: 800-476-4103 • Simi Valley, CA: 800-423-0150 • Fax: 864-834-3518 • www.tsbrass.com



ADA Compliant

This Space for Architect/Engineer Approval

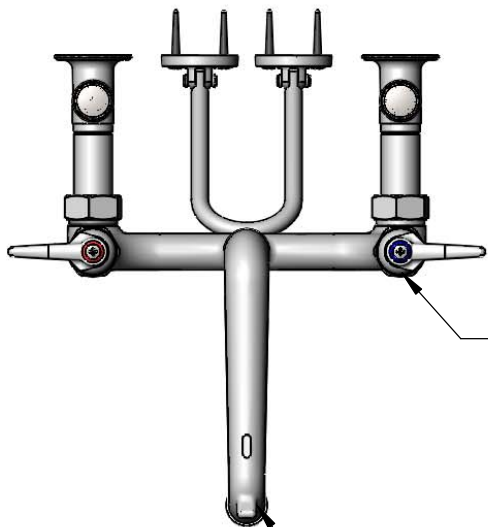
Job Name _____ Date _____

Model Specified _____ Quantity _____

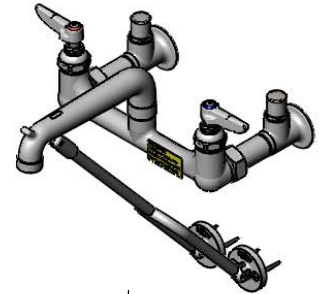
Customer/Wholesaler _____

Contractor _____

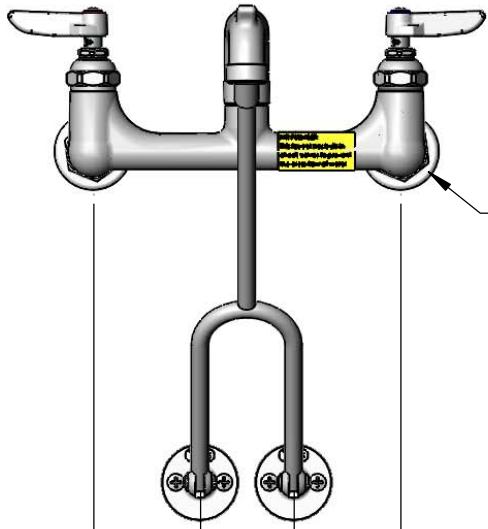
Architect/Engineer _____



Quarter-Turn
Eterna Cartridges w/
Spring Checks &
Lever Handles w/
Color Coded Indexes



Plain End
Spout

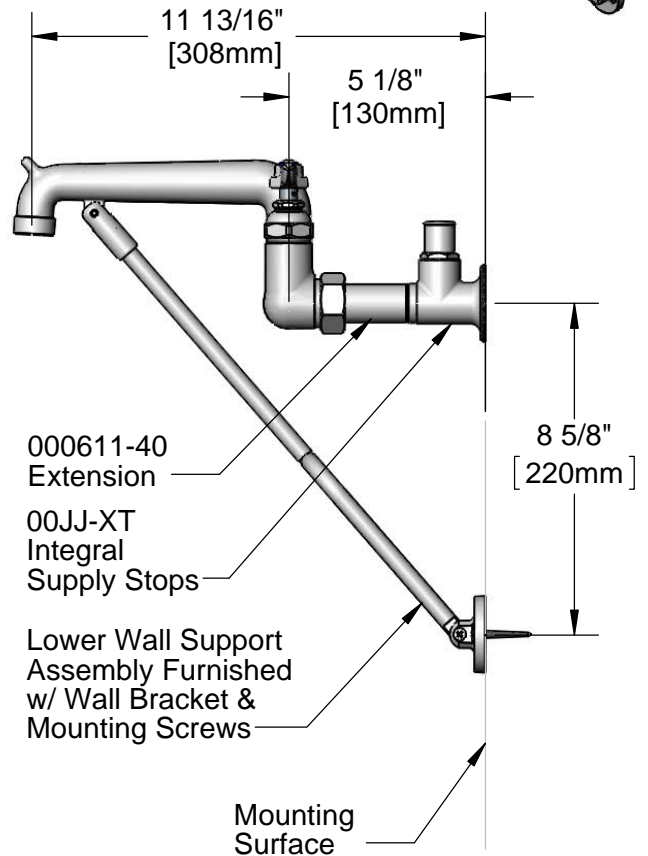


Ø2" [51mm]
Flange w/
1/2" NPT Female
Thread Inlets

2 7/16"
[62mm]

8"
[203mm]

Adjustable From
7 3/4" to 8 1/4"
[197mm to 210mm]



Product Specifications:

8" Wall Support Service Sink, Quarter-Turn Eterna Cartridge w/ Spring Checks, Polish Chrome Finish, Lever Handles, Lower Support Rod, 1/2" NPT Extended Inlets w/ Integral Stops & Plain End Outlet

Product Compliance:

ASME A112.18.1 / CSA B125.1
NSF 61 - Section 9
NSF 372 (Low Lead Content)
ANSI A117.1 (ADA)



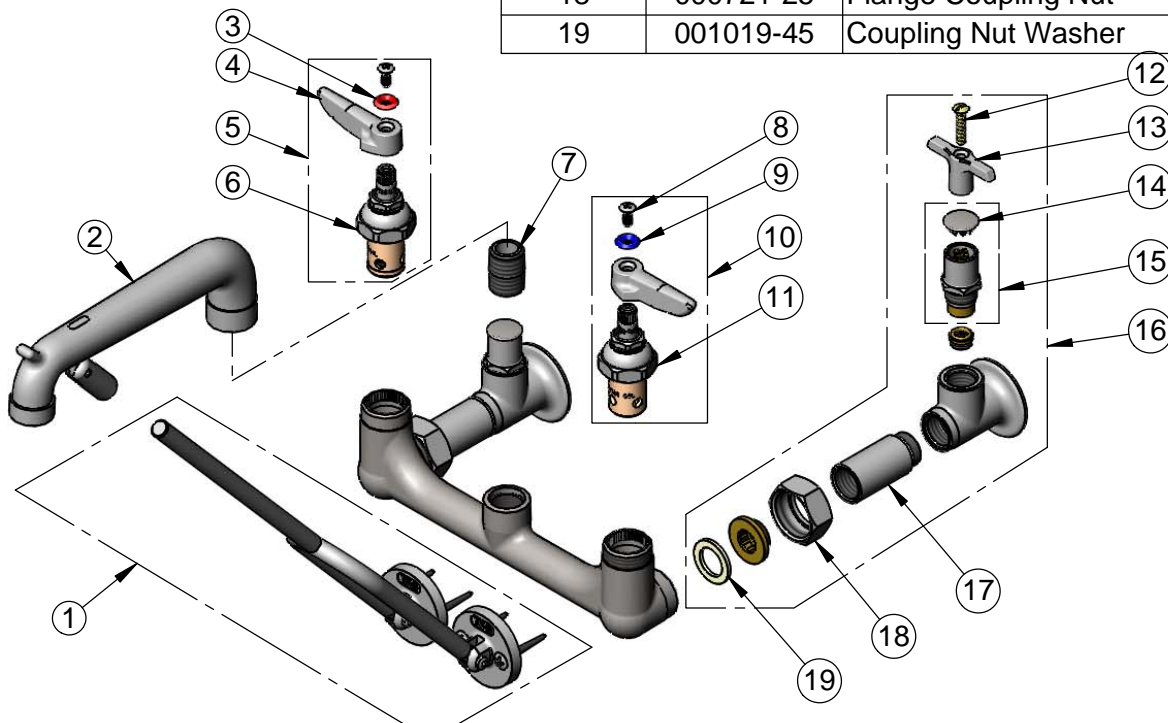
T&S BRASS AND BRONZE WORKS, INC.
 2 Saddleback Cove / P.O. Box 1088
 Travelers Rest, SC 29690

Model No.
B-0651-POL

Item No.

Travelers Rest, SC: 800-476-4103 • Simi Valley, CA: 800-423-0150 • Fax: 864-834-3518 • www.tsbrass.com

| ITEM NO. | SALES NO. | DESCRIPTION |
|----------|-----------|---|
| 1 | 009616-40 | Lower Support Rod Assembly w/ Mounting Screws |
| 2 | 016844-40 | Spout, B-0650 Chrome Polished |
| 3 | 001661-45 | Red Index-HW |
| 4 | 001638-45 | Lever Handle |
| 5 | 002712-40 | Quarter-Turn Eterna Cartridge, RTC w/ Spring Check, Handle, Index & Screw |
| 6 | 012443-40 | Quarter-Turn Eterna Cartridge, RTC w/ Spring Check |
| 7 | 002534-25 | Close Nipple, 1/2" NPT |
| 8 | 000922-45 | Lever Handle Screw |
| 9 | 001660-45 | Blue Index-CW |
| 10 | 002711-40 | Quarter-Turn Eterna Cartridge, LTC w/ Spring Check, Handle, Index & Screw |
| 11 | 012442-40 | Quarter-Turn Eterna Cartridge, LTC w/ Spring Check |
| 12 | 002432-45 | Screw, Tee Handle |
| 13 | 001802-45 | Handle, Supply Stop "T" |
| 14 | 001605-45 | Cap |
| 15 | 002892-40 | Spindle Assembly w/ Cap |
| 16 | 00JJ-XT | 1/2" NPT Female Thread Inlet Assembly w/ Integral Stop & Extension |
| 17 | 000611-25 | Extension, 1 3/4" Long |
| 18 | 000721-25 | Flange Coupling Nut |
| 19 | 001019-45 | Coupling Nut Washer |



Product Specifications:

8" Wall Support Service Sink, Quarter-Turn Eterna Cartridge w/ Spring Checks, Polish Chrome Finish, Lever Handles, Lower Support Rod, 1/2" NPT Extended Inlets w/ Integral Stops & Plain End Outlet

Product Compliance:

ASME A112.18.1 / CSA B125.1
 NSF 61 - Section 9
 NSF 372 (Low Lead Content)
 ANSI A117.1 (ADA)