



Profit from the Eagle Advantage®

# Specification Sheet

## Short Form Specifications

Eagle Wall Mounted Multi-Station Hand Sink, model \_\_\_\_\_ . Heavy duty 14 gauge stainless steel construction. 9½" high backsplash with 2" return. 1½"-diameter 16 gauge stainless steel tubular supports and gussets. Offered in lengths ranging from 48" to 96". Faucet holes at 8" centers. Commercial duty faucets with gooseneck spouts on applicable models.

Item No.:	_____
Project No.:	_____
S.I.S. No.:	_____

## Wall Mounted Multi-Station Hand Sinks

### MODELS:

- HSA-WM-48
- HSA-WM-60
- HSA-WM-72
- HSA-WM-96
- HSA-WM-48-F
- HSA-WM-60-F
- HSA-WM-72-F
- HSA-WM-96-F



#HSA-WM-48



#HSA-WM-48-F

### Design and Construction Features

- Single full-length bowl with basket drain(s) and rolled edge.
- 14 gauge type 304 stainless steel construction.
- Wall-mounted tubular supports consists of 16 gauge 1½" (41mm)-diameter tubing.
- Stainless steel basket drain assembly (two on 96"-long models).
- 9½" backsplash, with set(s) of faucet holes at 8" (203mm) on center.
- Supplied with backsplash to wall mount "Z" brackets.
- 21½" overall front-to-back.
- Lengths available range from 48" to 96" (1219 to 2438mm).

### Options / Accessories

- Optional Faucets (for units without faucets)
- AC-powered Electronic-Eye Faucet—add suffix "-FE"
- Single Knee Valve Operation (spout included)  
—add suffix "-1FK"
- Double Knee Valve Operation (spout included)  
—add suffix "-FK"
- Lever Handle Drains
- Twist Handle Drains

**EAGLE GROUP**  
**100 Industrial Boulevard**  
**Clayton, DE 19938-8903 USA**  
**Phone: 302-653-3000 • 800-441-8440**  
**Fax: 302-653-2065**  
**www.eaglegrp.com • www.eaglemhc.com**

For custom configuration or fabrication needs, contact our **SpecFAB® Division**.  
 Phone: 302-653-3000 • Fax: 302-653-2065 • e-mail: quotes@eaglegrp.com

EG20.10 Rev. 09/22

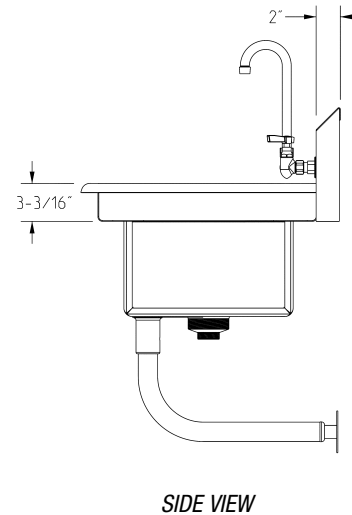
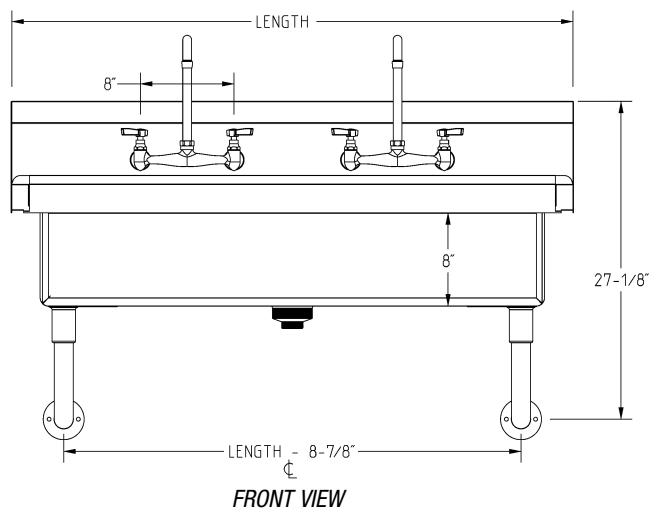
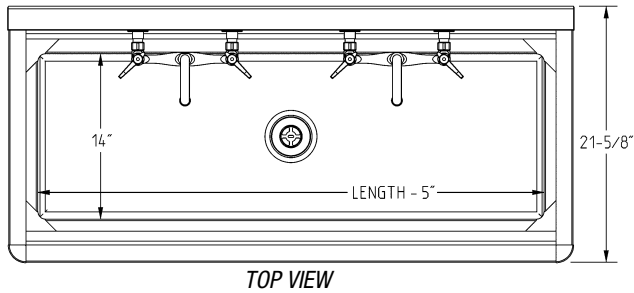
**Spec sheets available for viewing, printing or downloading from our online literature library at [www.eaglegrp.com](http://www.eaglegrp.com)**



Profit from the Eagle Advantage®

Item No.: \_\_\_\_\_  
 Project No.: \_\_\_\_\_  
 S.I.S. No.: \_\_\_\_\_

## Wall Mounted Multi-Station Hand Sinks



(NOTE: UNIT WITH FAUCETS SHOWN)

### Sinks without Faucets

overall width x length x height in. mm		bowl width x length x depth in. mm		# of faucets required	weight lbs. kg		model #
21 $\frac{1}{2}$ " x 48" x 27 $\frac{1}{8}$ "	549 x 1219 x 689	14" x 43" x 8"	356 x 1092 x 203		2	61	
21 $\frac{1}{2}$ " x 60" x 27 $\frac{1}{8}$ "	549 x 1524 x 689	14" x 55" x 8"	356 x 1397 x 203	2	72	32.7	<b>HSA-WM-60</b>
21 $\frac{1}{2}$ " x 72" x 27 $\frac{1}{8}$ "	549 x 1829 x 689	14" x 67" x 8"	356 x 1702 x 203	3	81	36.7	<b>HSA-WM-72</b>
21 $\frac{1}{2}$ " x 96" x 27 $\frac{1}{8}$ "	549 x 2438 x 689	14" x 91" x 8"	356 x 2311 x 203	4	102	46.3	<b>HSA-WM-96*</b>

\* Model #HSA-WM-96 features three tubular supports and two drains.

### Sinks with Faucets

overall width x length x height in. mm		bowl width x length x depth in. mm		# of faucets included	weight lbs. kg		model #
21 $\frac{1}{2}$ " x 48" x 27 $\frac{1}{8}$ "	549 x 1219 x 689	14" x 43" x 8"	356 x 1092 x 203		2	69	
21 $\frac{1}{2}$ " x 60" x 27 $\frac{1}{8}$ "	549 x 1524 x 689	14" x 55" x 8"	356 x 1397 x 203	2	80	36.3	<b>HSA-WM-60-F</b>
21 $\frac{1}{2}$ " x 72" x 27 $\frac{1}{8}$ "	549 x 1829 x 689	14" x 67" x 8"	356 x 1702 x 203	3	93	42.2	<b>HSA-WM-72-F</b>
21 $\frac{1}{2}$ " x 96" x 27 $\frac{1}{8}$ "	549 x 2438 x 689	14" x 91" x 8"	356 x 2311 x 203	4	118	53.5	<b>HSA-WM-96-F*</b>

\* Model #HSA-WM-96-F features three tubular supports and two drains.

### EAGLE GROUP

100 Industrial Boulevard, Clayton, DE 19938-8903 USA  
 Phone: 302-653-3000 or 800-441-8440 • Fax: 302-653-2065  
 www.eaglegrp.com • www.eaglehmc.com

Printed in U.S.A.  
 ©2022 by Eagle Group

Rev. 09/22

Spec sheets available for viewing, printing or downloading from our online literature library at [www.eaglegrp.com](http://www.eaglegrp.com)

Although every attempt has been made to ensure the accuracy of the information provided, we cannot be held responsible for typographical or printing errors. Information and specifications are subject to change without notice. Please confirm at time of order.