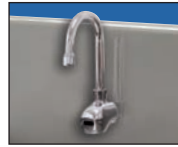




16 GAUGE STAINLESS STEEL

TWO STATION A.D.A. WALL MOUNTED SQUARE CORNER SERVICE SINK WITH TUBULAR SUPPORTS

ELECTRONIC OPERATED



K-175 Electronic Faucets Included

Item #:	Qty #:
Model #:	
Project #:	



A.D.A. COMPLIANT

FEATURES:

- 8 1/2" high backsplash.
- 5" sink bowl depth.
- Two stainless steel "Z" brackets.
- One K-6 3 1/2" rear basket drain.
- Two tubular stainless steel support brackets that allow full clearance underneath.

Electronic Operated: Includes two K-175 Electronic Faucets. Single holes provided.

CONSTRUCTION:

- All TIG welded.
- Welded areas blended to match adjacent surfaces and to a satin finish.
- Die formed tubular wall brackets.

MATERIAL:

- All 16 gauge type "304" stainless steel.
- 1 5/8" tubular "304" stainless steel wall brackets.
- Stainless steel gussets.

MECHANICAL:

- Single faucet holes.

Model #	Length	# of Faucets	# of Wall Supports	Wt. lbs.	Cu. Ft.
19-18-40EFADA	40"	2	2	62 lbs.	15

[Click Here For Install Guide](#)



MULTI-STATION ACCESSORIES & REPLACEMENT PARTS

Model	Description	QTY:
K-6	3 1/2" Drain (1 1/2" I.P.S.)	_____
K-06	Splash Mount Faucet Mounting Kit	_____
K-13	Stainless Steel Soap Dispenser (Wall Mount Only)	_____
K-175	Single Hole, Splash Mounted 3-1/2" Electronic Faucet	_____
K-411	Strainer Plate for 3-1/2" Drain	_____
K-449	5" Backsplash Modification (Used When Installing A Mirror Over An Ada Multi-Station Or Service Sink Mirror Supplied By Others)	_____
K-508	Special Sizing Charge (Larger Size Cut Down To Smaller Size)	_____
TA-19	Adjustable Stainless Steel Flanged Bullet Foot	_____



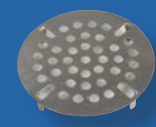
K-175



K-13



K-6



K-411



K-06

= Ships UPS

Standard Faucets conform to NSF 61 Standard 9 and compliance to AB 1953 Standards.

WARNING: Equipment that include faucets on this page may contain a chemical known to the State of California to cause cancer, birth defects or other reproductive harm.



Customer Service Available To Assist You 1-800-645-3166 8:30 am - 7:00 pm E.S.T.

For Orders & Customer Service:

Email: customer@advancetabco.com or Fax: 631-242-6900

For Smart Fabrication™ Quotes:

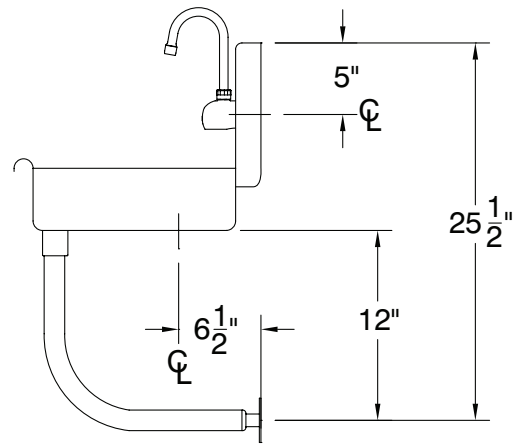
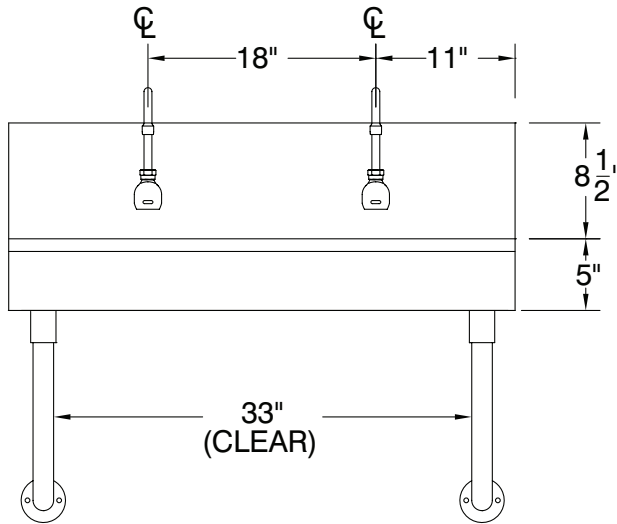
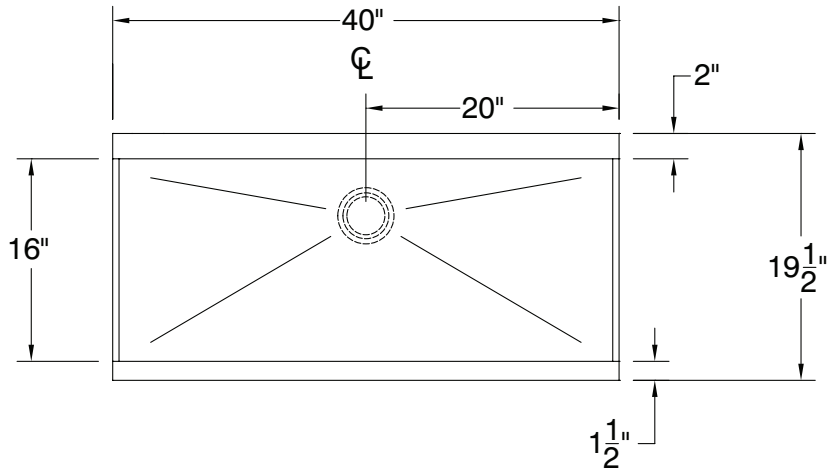
Email: smartfab@advancetabco.com or Fax: 631-586-2933

DETAILS and SPECIFICATIONS

TOL ± .500"

ALL DIMENSIONS ARE TYPICAL

19-18-40EFADA



62 Lbs.

