



**T&S BRASS AND BRONZE WORKS, INC.**  
 2 Saddleback Cove / P.O. Box 1088  
 Travelers Rest, SC 29690

Model No.  
**B-7142-U01-WS8B-C**

Item No.

Travelers Rest, SC: 800-476-4103 • Simi Valley, CA: 800-423-0150 • Fax: 864-834-3518 • www.tsbrass.com

This Space for Architect/Engineer Approval

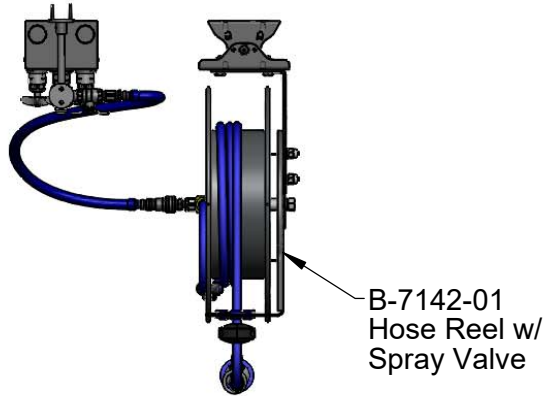
Job Name \_\_\_\_\_ Date \_\_\_\_\_

Model Specified \_\_\_\_\_ Quantity \_\_\_\_\_

Customer/Wholesaler \_\_\_\_\_

Contractor \_\_\_\_\_

Architect/Engineer \_\_\_\_\_



B-0963  
Continuous Pressure  
Vacuum Breaker w/  
Integral Check Valve

3/8" NPT x 36"  
Flexible Water  
Connector

EasyInstall  
3/8" NPT x 18" Riser

Stainless Steel  
Quick Disconnect

32"  
[813mm]

4-Arm Handles &  
Quarter-Turn Cerama  
Cartridges w/ Check Valves

6"  
[152mm]

019652-40  
3/8" NPT  
Live Swivel

EB-0107  
High Flow  
Spray Valve

Swivel Elbow w/  
Ø2" [51mm] Flange,  
1/2" NPT Female Inlet

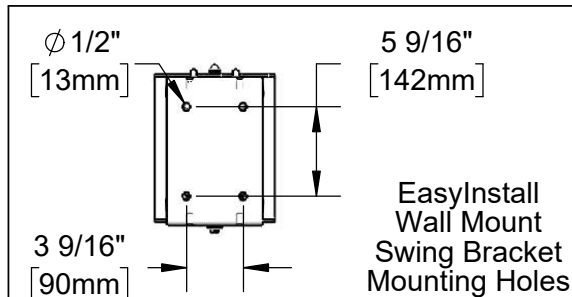
B-0109-01  
6" Wall  
Bracket

25"  
[635mm]

56"  
[1422mm]

4"  
[102mm]

Floor



**Product Specifications:**

Stainless Steel Hose Reel w/ 50' Hose, High Flow Spray Valve w/ Swivel, EasyInstall SS Surface Mount Hose Reel Cabinet w/ Mixing & Control Valve, Four Arm Handles, Quarter-Turn Ceramas w/ Check Valves, Dual Check Valves, Inlets for Bottom Supplies, 100 Deg EasyInstall Stainless Steel Swing Bracket w/ Mounting Hardware & Hose Reel Connector Kit

**Product Compliance:**

NSF 61 Exempt (Non-Potable)  
 ASSE 1056 (VB)  
 2019 DOE PRSV Non-Compliant



# T&S BRASS AND BRONZE WORKS, INC.

2 Saddleback Cove / P.O. Box 1088  
Travelers Rest, SC 29690

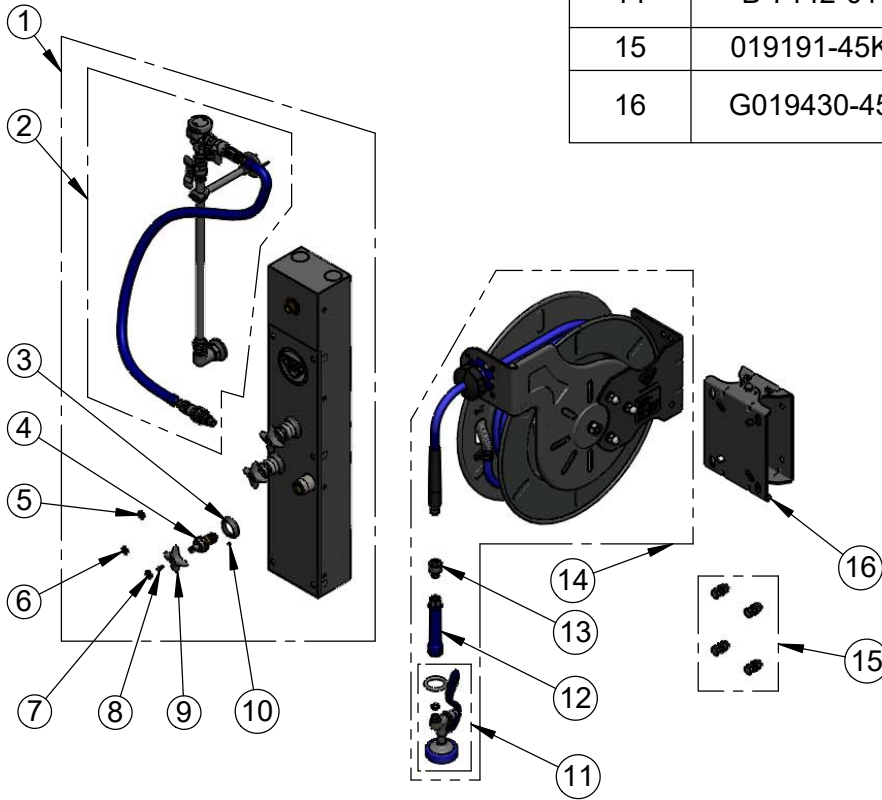
Model No.

**B-7142-U01-WS8B-C**

Item No.

Travelers Rest, SC: 800-476-4103 • Simi Valley, CA: 800-423-0150 • Fax: 864-834-3518 • www.tsbrass.com

ITEM NO.	SALES NO.	DESCRIPTION
1	B-1460-SMB-CR	EasyInstall Surface Mount Hose Reel Cabinet w/ Bottom Inlets & Ceramas
2	0RK-SK	Hose Reel Connector Kit
3	020839-40	Narrow Slip Flange w/ Set Screw
4	012394-25NS	Quarter-Turn Cerama Cartridge w/ Check Valve, RTC
5	001205-19NS	White Button Index, Press-In
6	001193-19NS	Red Button Index, Press-in
7	018506-19NS	Blue Button Index, Press-in
8	000925-45	Lab Handle Screw
9	002521-45NS	4-Arm Handle (New Style)
10	000939-45	Escutcheon, Set Screw
11	EB-0107	High Flow Spray Valve, Blue
12	011454-45	Spray Valve Handle - Blue
13	019652-40	3/8" NPT Live Swivel
14	B-7142-01	50' SS Open Hose Reel w/ High Flow Spray Valve
15	019191-45K	Hose Reel Mounting Kit
16	G019430-45	EasyInstall Hose Reel Stainless Steel Swing Bracket



**Product Specifications:**

Stainless Steel Hose Reel w/ 50' Hose, High Flow Spray Valve w/ Swivel, EasyInstall SS Surface Mount Hose Reel Cabinet w/ Mixing & Control Valve, Four Arm Handles, Quarter-Turn Ceramas w/ Check Valves, Dual Check Valves, Inlets for Bottom Supplies, 100 Deg EasyInstall Stainless Steel Swing Bracket w/ Mounting Hardware & Hose Reel Connector Kit

**Product Compliance:**

NSF 61 Exempt (Non-Potable)  
ASSE 1056 (VB)  
2019 DOE PRSV Non-Compliant