

GRIDDLE STAND REFRIGERATOR

Model: D48GN

Natural Refrigerant R-290 Model

48" Griddle Stand Refrigerator



ENERGY STAR® Qualified Commercial Refrigerator

Stainless steel exterior and interior, reinforced stainless steel work top with drip guard marine edge and stainless steel case back.



Options and Accessories

(upcharge and lead times may apply)

Flat top in lieu of marine edge	Integral heat shield top
16 gauge stainless steel top (flat or marine)	Cylinder locks
Top extensions (flat or marine edge)	Doors in lieu of drawers
Condensing unit on left (standard on right)	Special electrical requirements (consult factory)

Consult factory for other model configurations, options and accessories.



Project Name:

Model Specified:

Location:

Item No:

Quantity:

AIA #:

SIS #:

Standard Model Features

REFRIGERATION SYSTEM

Performance rated refrigeration system

Natural, environmentally safe, high efficiency R-290 refrigerant¹

Automatic, hot gas condensate evaporator

Non-corrosive, plasticized fin evaporator coil

Easily serviceable, front slide outcondensing unit

CABINET ARCHITECTURE

High density, non-CFC polyurethane foamed-in-place insulation

Easy glide, fully extendable drawers designed to hold 6" deep pans side-by-side

Smooth, polished chrome drawer handles

One-piece, snap in magnetic Santoprene™ drawer gaskets

Heavy duty drawer track with built in drawer safety clips

Drawers designed to hold 250 lb. capacity

(2) drawer pan divider bars*

4" casters on support plates

* Pans supplied by others

MODEL FEATURES

Electronic control, off-cycle defrost

Front breathing

¹ R-290 refrigerant meets all federal and state regulatory requirements.

APPROVAL:

Model Specifications

DIMENSIONAL DATA

Net Capacity (cubic feet)	9.0 (255 cu l)
Width, Overall (inches)	48 (1219 mm)
Depth, Overall (inches) (including handles)	35 (897 mm)
Height, Overall (inches) (including 4" casters)	26 (670 mm)
Number of Drawers	2

REFRIGERANT DATA

Condensing Unit Size (H.P.)	1/5
Capacity (BTU per hour)*	1620

ELECTRICAL DATA

Voltage (International)	115/60/1 (220/50/1)
Feed Wires (including ground)	3
Total Amps (International)	2.5 (1.9)
10 ft. Cord/Plug [attached] (International)	Yes (No)

SHIPPING DATA

Weight (pounds)	450 (204 kg)
Height - Crated (inches)	30 (762 mm)
Width - Crated (inches)	64 (1626 mm)
Depth - Crated (inches)	39 (991 mm)

DRAWER PAN DIVIDERS (supplied with model)

CM2-0764	2 (one per drawer)
----------	--------------------

See drawer pan configurations on right (**pans not supplied**). For other drawer pan configurations, consult factory.

TOP WEIGHT CAPACITY

Max. Top Weight Capacity (pounds)	775 (352 kg)
-----------------------------------	--------------

* Rating @ +25°F evaporator, 90°F ambient
Figures in parentheses reflect metric equivalents rounded to the nearest whole unit.



Equipped with one NEMA-5-15P Plug
(varies by country)

Continental
Refrigerator

Toll-Free: 800-523-7138
Phone: 215-244-1400
Fax: 215-244-9579

539 Dunksferry Road
Bensalem, PA 19020
www.continentalrefrigerator.com

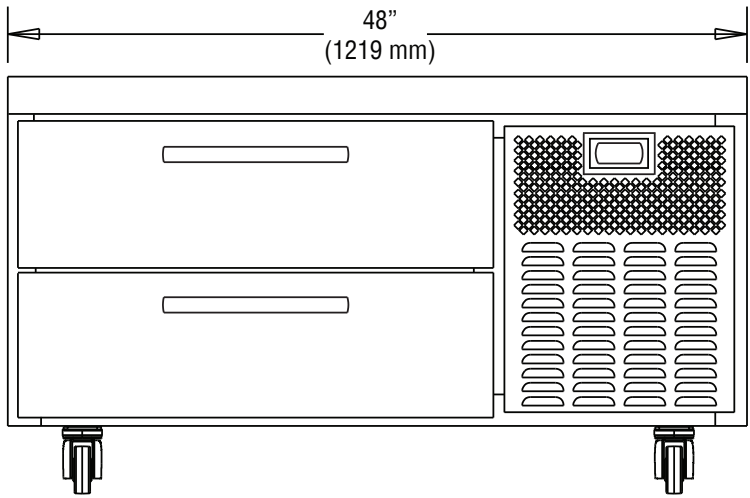
Due to our continued efforts in developing innovative products, specifications subject to change without notice.



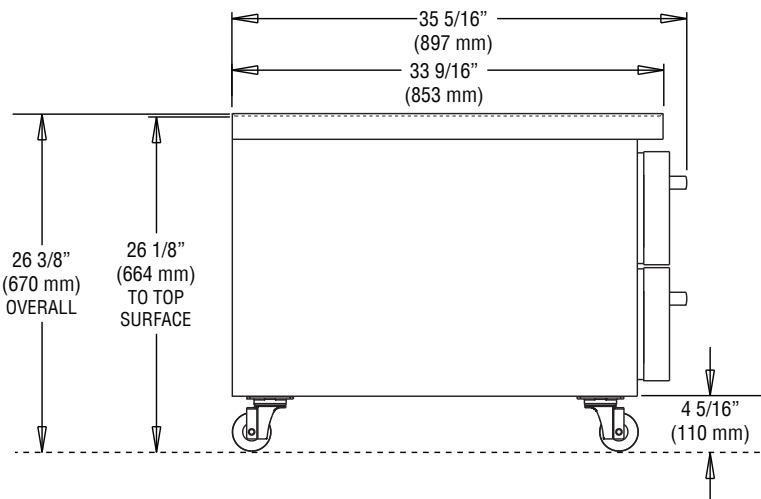
PROUDLY
DESIGNED & ASSEMBLED
IN THE U.S.A.

© Copyright 2021. Continental Refrigerator.
A Division of National Refrigeration & Air Conditioning Products, Inc.

Model Plan Views

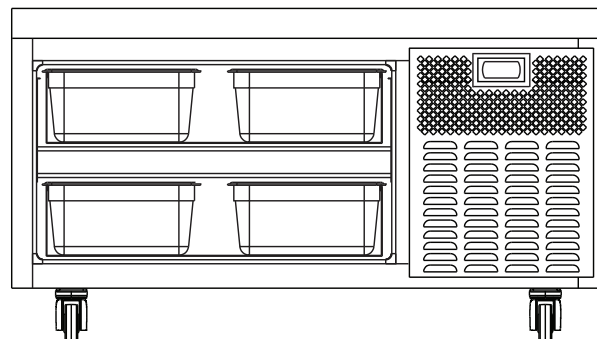


FRONT VIEW



SIDE VIEW

Shown with (4) 12 x 20 x 6 pans (**not supplied**).



DRAWER PAN CONFIGURATION

REVISED: 2/8/24