



T&S BRASS AND BRONZE WORKS, INC.
 2 Saddleback Cove / P.O. Box 1088
 Travelers Rest, SC 29690

Model No.
EC-3130-VF05-HG

Item No.

Travelers Rest, SC: 800-476-4103 • Simi Valley, CA: 800-423-0150 • Fax: 864-834-3518 • www.tsbrass.com



ADA Compliant

This Space for Architect/Engineer Approval

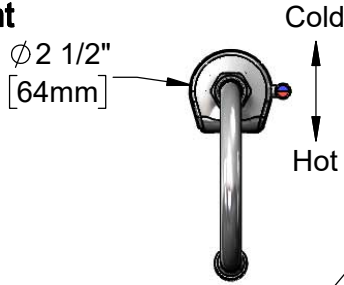
Job Name _____ Date _____

Model Specified _____ Quantity _____

Customer/Wholesaler _____

Contractor _____

Architect/Engineer _____

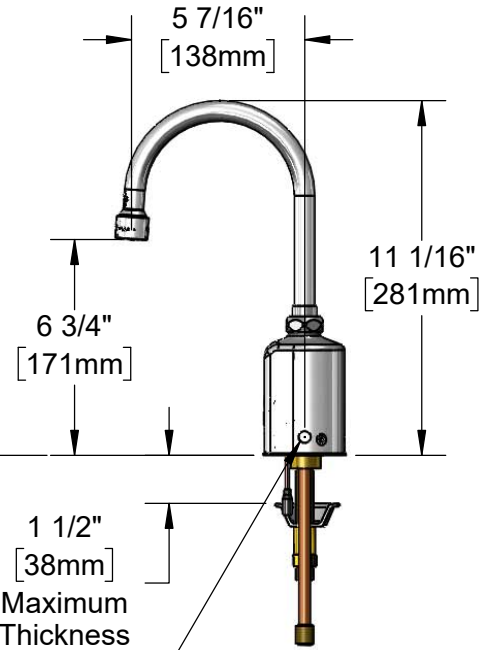


Cold
 Hot

Swivel Gooseneck w/
 0.5 GPM [1.9 L/min]
 Vandal Resistant
 Non-Aerated Spray Device.
 Converts to Rigid w/
 014200-45 Lock Washer
 (Included)

Internal Above Deck
 Electronics w/ Flow
 Control Setting Switches.
 Optional DC Power w/
 6 V Lithium Battery.

Temperature Mixing Handle
 w/ Color Coded Index
 (Optional Plug Included to
 Replace Handle When
 Temperature is Preset)



Removable
 Anti-Rotation Pin

Mounting
 Surface

13/16"
 [21mm]

Connection to
 Power Supply

19" [486mm] Flexible
 Stainless Steel Supply
 Hoses

1 1/2"
 [38mm]
 Maximum
 Thickness

Shown w/ Optional
 Plug Installed When
 Water Temperature
 is Preset (Included)

Optional 100-240 VAC
 Adapter w/ 71" [1800mm]
 Power Cord

Hydro-Generator Power Supply.
 No Battery or AC Adapter Needed
 to Supply Power to Faucet

Check Valve Adapters
 w/ 3/8" Compression
 (9/16-24 UN) Inlets

Rough-In Requirement:
 Ø 1 1/4" [32mm] Mounting Hole
 Ø 3/16" [5mm] Anti-Rotation Pin Hole (Optional)

Product Specifications:

Chrome Plated Brass Above Deck Electronics Faucet, Single Hole Deck Mount, 5 7/16" Gooseneck w/ 0.5 GPM VR Non-Aerated Spray Device, Point-of-Use Temperature Control, Hydro-Generator Powered, 19" Flexible Stainless Steel Supply Hoses & 3/8" Compression Inlets

Product Compliance:

ASME A112.18.1 / CSA B125.1
 NSF 61 - Section 9
 NSF 372 (Low Lead Content)
 ANSI A117.1 (ADA)
 UL 1951



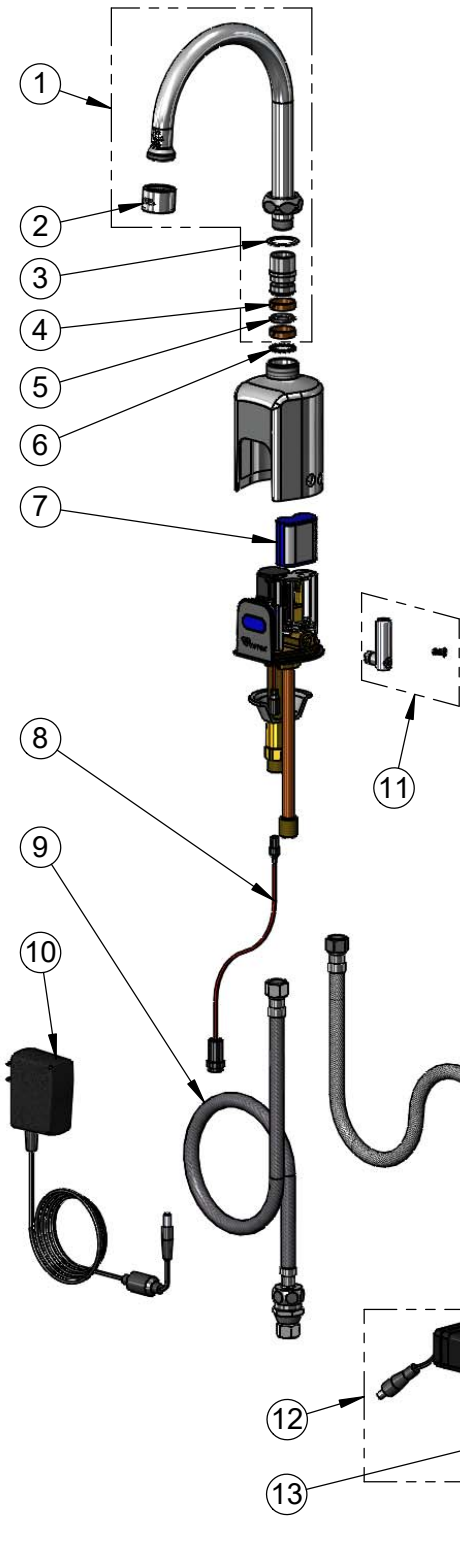
T&S BRASS AND BRONZE WORKS, INC.

2 Saddleback Cove / P.O. Box 1088
Travelers Rest, SC 29690

Model No.
EC-3130-VF05-HG

Item No.

Travelers Rest, SC: 800-476-4103 • Simi Valley, CA: 800-423-0150 • Fax: 864-834-3518 • www.tsbrass.com



ITEM NO.	SALES NO.	DESCRIPTION
1	019283-40	Swivel Gooseneck w/ VR 0.5 GPM Non-Aerated Spray Device & Key
2	B-0199-06-N05	VR 0.5 GPM Non-Aerated Spray Device, 55/64-27 UN Female w/ Key
3	009538-45	Swivel Washer
4	011429-45	Swivel Sleeves (2)
5	001074-45	O-Ring
6	014200-45	Star Washer, Anti-Rotation
7	019087-45	6VDC Lithium Battery, CR-P2
8	019088-45	Auxiliary Power Connector Cable
9	018544-45	SS Flex Hose w/ Check Valve Adapter
10	5EF-0002	Plug-In A/C Transformer
11	019082-45	Lever Asm & Body Screw Kit w/ L-Key
12	EC-HYDROGEN-LF	Low Flow Hydro-Generator
13	017506-45	1/2" NPSM Swivel Coupling
14	019086-45	Body Plug, Pre-Set Temperature

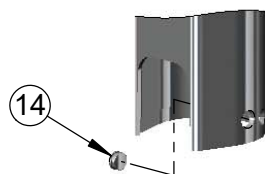
Flow Control Switches are Located Behind the Sensor.
Remove Battery to Access Switches.

* Switches are set to DEFAULT position:

- Auto Time Out = 15 seconds
- Shut Off Delay = 1 second
- Auto Flush = OFF

* Available Water Flow Control Selections:

- Auto Time Out: 15 sec, 30 sec, 45 sec, 60 sec, 3 min, 20 min
- Shut Off Delay: 1 sec, 10 sec, 15 sec, 30 sec
- Auto Flush (30 Seconds After Every 12 Inactive Hours): ON or OFF



Optional Plug Replaces
Lever Handle When
Pre-setting Temperature
(Installs from Inside of Body)



015425-45
VR Aerator Key



018543-45
Torx T-20 VR L-Key

Product Specifications:

Chrome Plated Brass Above Deck Electronics Faucet, Single Hole Deck Mount, 5 7/16" Gooseneck w/ 0.5 GPM VR Non-Aerated Spray Device, Point-of-Use Temperature Control, Hydro-Generator Powered, 19" Flexible Stainless Steel Supply Hoses & 3/8" Compression Inlets

Product Compliance:

ASME A112.18.1 / CSA B125.1
NSF 61 - Section 9
NSF 372 (Low Lead Content)
ANSI A117.1 (ADA)
UL 1951