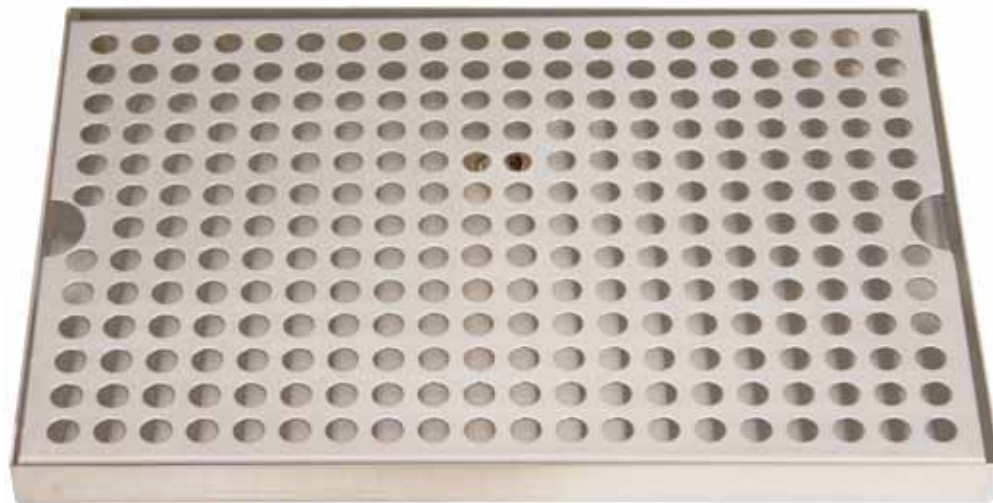



- Easy installation: simply drill one hole to locate and secure.
- Robust 18 gauge stainless steel construction.
- Welded corners, finished smooth for safety and appearance.
- Perforated screen for maximum drip coverage.



Stainless Steel  
**DP-820D-16**

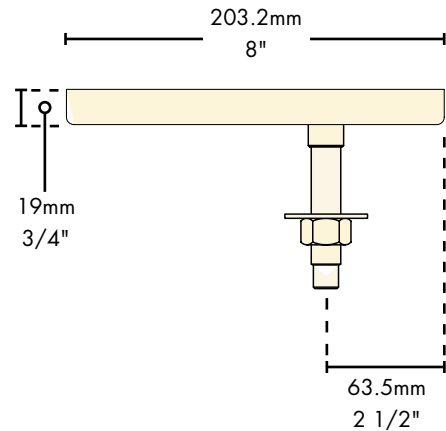
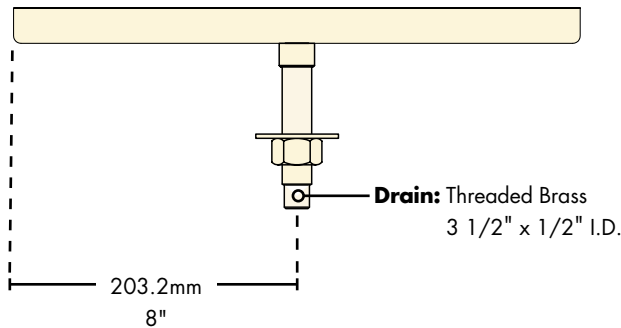
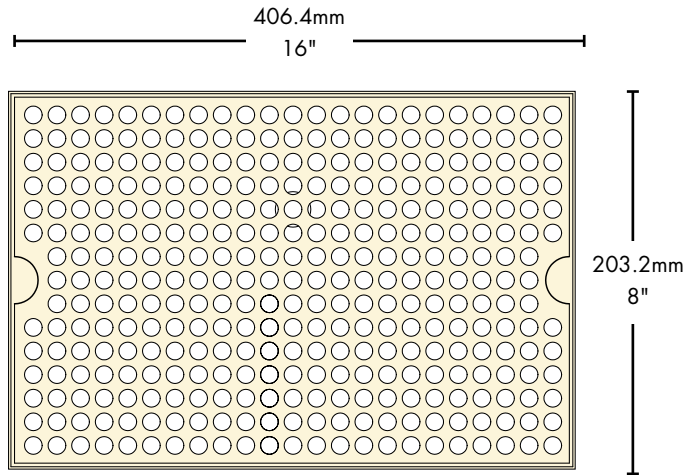
## Feature

-  Stainless Steel for hygiene and durability.

# Specifications

Part No.	Description	Shipping Weight	Box Dimensions
<input type="checkbox"/> <b>DP-820D-16</b>	Stainless Steel	2 kg	432mm L x 229mm W x 51mm H
		5 lbs	17"L x 9"W x 2"H

# Dimensions



Copyright ©2011 Micro Matic USA, Inc. All Rights Reserved.

00194D1008



[www.micromatic.com](http://www.micromatic.com)

Toll Free: 1-(866) 327-4159

West	Central	Southeast	Northeast
19791 Bahama Street Northridge, CA 91324 Tel. (818) 701-9765 Fax. (818) 701-9844	10726 North Second Street Machesney Park, IL 61115 Tel. (815) 968-7557 Fax. (815) 968-0363	2364 Simon Court Brooksville, FL 34604 Tel. (352) 799-6331 Fax. (352) 796-2429	4601 Saucon Creek Road Center Valley, PA 18034 Tel. (610) 625-4464 Fax. (610) 625-4466