

"4CH6" MODULAR BASE WORK TABLES

16GA Stainless Steel Top - Hinged Doors

FEATURES:

- Flat Top With 1-1/2" Stallion Edge On Front And 90 Degree Bend Down Side Edge For Table Line-Up
- Top Is Sound Deadened Reinforced With 2"x3" Channel Running Entire Length Of Top
- Stainless Steel Leg With Adjustable Feet
- Optional Fixed (Suffix "-1S") Or Adjustable (Suffix "-1AS") Intermediate Shelf Available
- 36" Working Height
- Shipped Standard Welded Set-Up

SPECIFICATIONS:

- Top: Stainless Steel Cabinet Tops TIG Welded, Exposed Welds Are Polished To Match Adjacent Surface #4 Polished, Satin Finish
- Removable Stainless Steel Legs
- Hinged Doors Are Constructed As Double Panel Doors
- Top: 16GA Type 300 Stainless Steel With #4 Polish, Satin Finish
- Body: 18GA Type 430 Stainless Steel
- Legs: Stainless Steel With Adjustable Feet



4CH6-3060

CERTIFICATIONS:

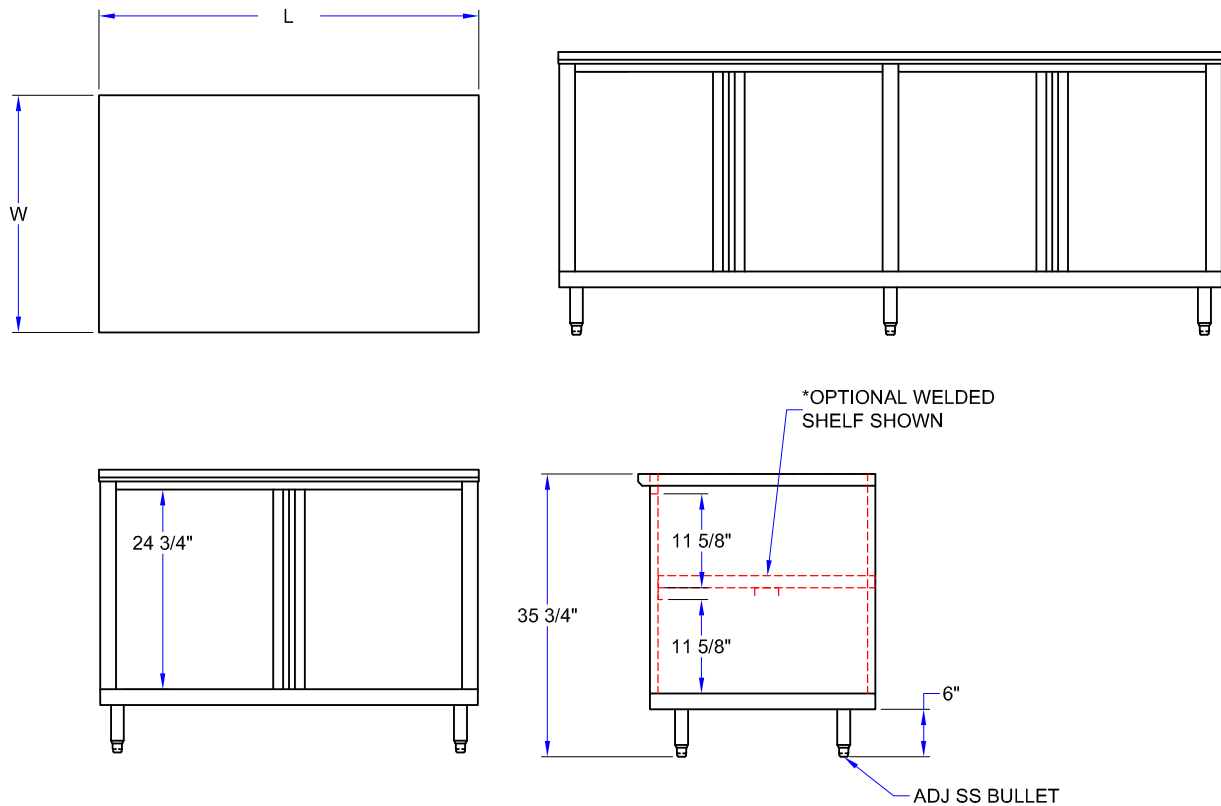


"4CH6" MODULAR BASE WORK TABLES

| LENGTH | 24" WIDE | WT (LBS) | 30" WIDE | WT (LBS) | 36" WIDE | WT (LBS) |
|--------|-------------------|----------|-------------------|----------|-------------------|----------|
| 36" | 4CH6-2436 | 230 | 4CH6-3036 | 260 | 4CH6-3636 | 290 |
| 48" | 4CH6-2448 | 270 | 4CH6-3048 | 295 | 4CH6-3648 | 330 |
| 60" | 4CH6-2460 | 310 | 4CH6-3060 | 335 | 4CH6-3660 | 370 |
| 72" | 4CH6-2472 | 355 | 4CH6-3072 | 375 | 4CH6-3672 | 415 |
| 84" | 4CH6-2484 | 395 | 4CH6-3084 | 415 | 4CH6-3684 | 455 |
| 96" | 4CH6-2496 | 445 | 4CH6-3096 | 460 | 4CH6-3696 | 500 |
| 108" | 4CH6-24108 | 495 | 4CH6-30108 | 505 | 4CH6-36108 | 555 |
| 120" | 4CH6-24120 | 535 | 4CH6-30120 | 550 | 4CH6-36120 | 615 |
| 132" | 4CH6-24132 | 575 | 4CH6-30132 | 593 | 4CH6-36132 | 650 |
| 144" | 4CH6-24144 | 615 | 4CH6-30144 | 635 | 4CH6-36144 | 685 |

ALL DIMENSIONS ARE TYPICAL. TOLERANCE +/- .500". JOHN BOOS & CO. RESERVES THE RIGHT TO CHANGE SPECIFICATIONS WITHOUT NOTICE.

DETAILED SPECIFICATIONS



MODEL # STRUCTURE

6 = 16GA Top
 CH = Hinged Doors
 4 = 430 S.S. Body



"4CH6" MODULAR BASE WORK TABLES

| LENGTH | 24" WIDE | WT (LBS) | 30" WIDE | WT (LBS) | 36" WIDE | WT (LBS) |
|--------|-------------------|----------|-------------------|----------|-------------------|----------|
| 36" | 4CH6-2436 | 230 | 4CH6-3036 | 260 | 4CH6-3636 | 290 |
| 48" | 4CH6-2448 | 270 | 4CH6-3048 | 295 | 4CH6-3648 | 330 |
| 60" | 4CH6-2460 | 310 | 4CH6-3060 | 335 | 4CH6-3660 | 370 |
| 72" | 4CH6-2472 | 355 | 4CH6-3072 | 375 | 4CH6-3672 | 415 |
| 84" | 4CH6-2484 | 395 | 4CH6-3084 | 415 | 4CH6-3684 | 455 |
| 96" | 4CH6-2496 | 445 | 4CH6-3096 | 460 | 4CH6-3696 | 500 |
| 108" | 4CH6-24108 | 495 | 4CH6-30108 | 505 | 4CH6-36108 | 555 |
| 120" | 4CH6-24120 | 535 | 4CH6-30120 | 550 | 4CH6-36120 | 615 |
| 132" | 4CH6-24132 | 575 | 4CH6-30132 | 593 | 4CH6-36132 | 650 |
| 144" | 4CH6-24144 | 615 | 4CH6-30144 | 635 | 4CH6-36144 | 685 |

ALL DIMENSIONS ARE TYPICAL. TOLERANCE +/- .500". JOHN BOOS & CO. RESERVES THE RIGHT TO CHANGE SPECIFICATIONS WITHOUT NOTICE.