

Project: _____

Item: _____

Quantity: _____

Lug Dolly & Lugs - Storage



99251

Lightweight, stackable one-piece aluminum sheet design with open corners for easy cleaning. Two-inch (2") sides bent upward to contain product.

- Constructed out of .080" aluminum sheet.
- Equipped with four 3" x 1¼" plate type swivel casters bolted directly to the sheet.
- Five-Year Guarantee against workmanship and material defects.
- Lifetime Guarantee against rust and corrosion.

► Lug Storage Dolly & Lugs

Model No.	Size W-H-D	With Handle	Ship Lbs.
99251	17" x 6" x 26"	No	13

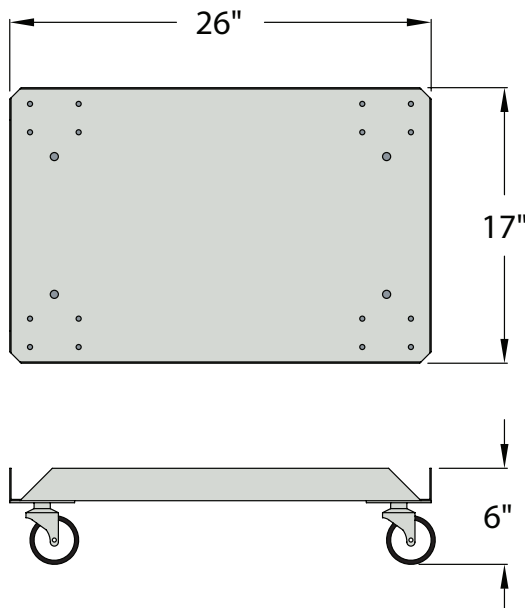
Four 3" x 1¾" plate type swivel casters.

Not NSF Certified.

Model No.	Size W-H-L	Color	Ship Lbs.
RGY16825	15½" x 8¾" x 25"	gray	4
0361	Lid For #RGY16825	gray	1

Food Approved Molded Poly • Formed Cross-Stacking Bottom'

Not NSF Certified.



Lugs & Lids Excluded From Guarantee.

New Age Industrial Corp., Inc. || NewAgeIndustrial.com || Made in the USA

PO Box 520 • 16788 US Hwy 36 • Norton, Kansas 67654 || Phone: (800) 255-0104 • (785) 877-5121 || Fax: (877)-877-7687 • (785) 877-2616

This information is for general sales and engineering use only. New Age Industrial reserves the right to modify or make changes at any time, without notice, to materials and specifications.