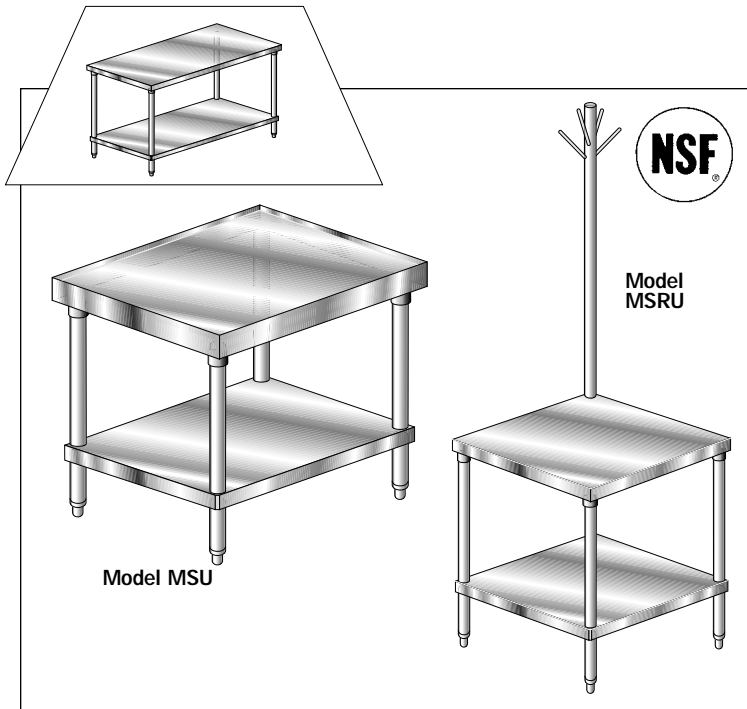


Item# _____ Project _____



GALVANIZED

Quantity 16GA 430 Model # 14GA 304 Model #

24" WIDE

4MGU-2424 2MGU-2424

30" WIDE

4MGU-3024 2MGU-3024
4MGU-3030 2MGU-3030
4MGU-3036 2MGU-3036

36" WIDE

4MGU-3636 2MGU-3636

GALVANIZED With UTENSIL RACK

24" WIDE

4MGRU-2424 2MGRU-2424

30" WIDE

4MGRU-3024 2MGRU-3024
4MGRU-3030 2MGRU-3030
4MGRU-3036 2MGRU-3036

36" WIDE

4MGRU-3636 2MGRU-3636

STAINLESS STEEL

Quantity 16GA 430 Model # 14GA 304 Model #

4MSU-2424 2MSU-2424

4MSU-3024 2MSU-3024
4MSU-3030 2MSU-3030
4MSU-3036 2MSU-3036

4MSU-3636 2MSU-3636

STAINLESS STEEL With UTENSIL RACK

4MSRU-2424 2MSRU-2424

4MSRU-3024 2MSRU-3024
4MSRU-3030 2MSRU-3030
4MSRU-3036 2MSRU-3036

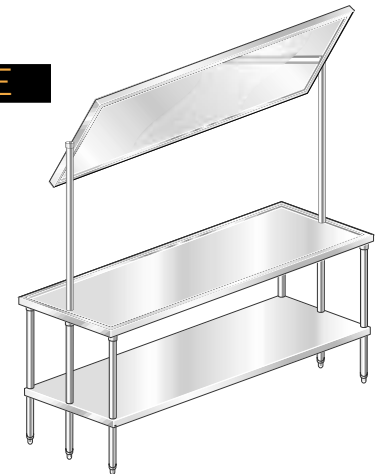
4MSRU-3636 2MSRU-3636

Quantity 14GA 304 Model #

DEMO TABLE

DEMO-3660
DEMO-3672

Model DEMO



MATERIAL

TOP

- 4 - 16 gauge 430 stainless steel.
- 2 - 14 gauge 304 stainless steel.
- 1½" turn down on 4 sides with a 90 Deg. return.
- "V" type marine edge to inhibit spillage.
- Two heavy gauge steel box channels on 24" wide tables for rigidity.
- Three heavy gauge steel box channels on 30" wide tables for rigidity.
- Sound deadened between table top and channels.

SHELF

- 18 gauge galvanized steel (MGU/MGRU series).
- 18 gauge 430 stainless steel (MSU/MSRU series).

LEGS

- 1½" O.D. 16 gauge galvanized steel or 304 series stainless steel tubing, complete with 1" adjustable, impact resistant, plastic or white metal feet.

UTENSIL RACK (MGRU & MSRU series only)

- 72" height, 1½" O.D. 16 gauge Galv. or 304 stainless steel tubing, with 5½" long 16 gauge 304 solid stainless bar welded to vertical upright.

DESIGN FEATURES

- Undersheff is the largest in the industry.
- Undersheff is fully adjustable and flexible in design.
- All tables fully cartoned.
- Easily assembled.

EXCLUSIVE AERO SAFETY EDGE

- Table hemmed to eliminate cuts from rough edges.

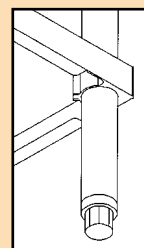
CONSTRUCTION

- Table is polished to a #4 mill finish.
- Heliarc welded construction creates uniform, rock-solid unit.
- Gussets fully welded to eliminate damage to table top.
- All tables shipped K.D.

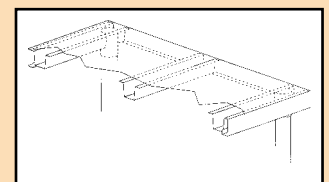
Note:

- For crossbracing in lieu of undershelving, call factory.

CUSTOM SIZES AVAILABLE



Adjustable Undersheff with Exclusive **AEROLOCK** Extrusion



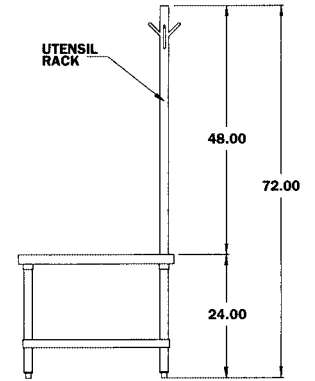
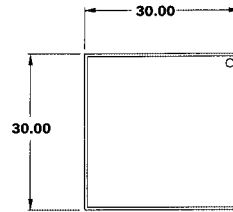
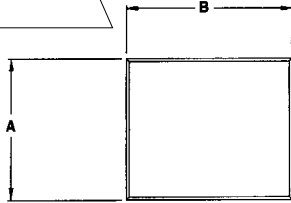
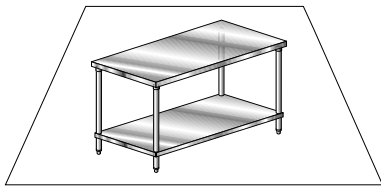
Strongest Construction in the Industry

BUILT TO LAST A LIFETIME



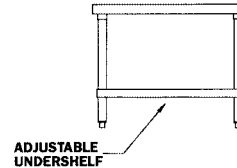
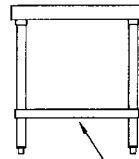
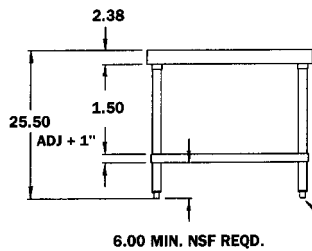
DIMENSIONAL SPECIFICATIONS

MGU/MSU/MGRU/MSRU SERIES Mixer Stands



Model MGU/MSU

■ "V" type edge on all mixer stands.



Model MGRU/MSRU

| A Width | B Length | 16GA 430 Model # | 14GA 304 Model # | 16GA 430 Model # | 14GA 304 Model # | Ship Weight | Cubic Feet |
|---------|----------|------------------|------------------|------------------|------------------|-------------|------------|
|---------|----------|------------------|------------------|------------------|------------------|-------------|------------|

GALVANIZED

24" WIDE

| | | | | | | | |
|----|----|-----------|-----------|--|--|--|--|
| 24 | 24 | 4MGU-2424 | 2MGU-2424 | | | | |
|----|----|-----------|-----------|--|--|--|--|

30" WIDE

| | | | | | | | |
|----|----|-----------|-----------|--|--|--|--|
| 30 | 24 | 4MGU-3024 | 2MGU-3024 | | | | |
| 30 | 30 | 4MGU-3030 | 2MGU-3030 | | | | |
| 30 | 36 | 4MGU-3036 | 2MGU-3036 | | | | |

36" WIDE

| | | | | | | | |
|----|----|-----------|-----------|--|--|--|--|
| 36 | 30 | 4MGU-3636 | 2MGU-3636 | | | | |
|----|----|-----------|-----------|--|--|--|--|

STAINLESS STEEL

| | | | | | | | |
|--|--|--|--|-----------|-----------|----|---|
| | | | | 4MSU-2424 | 2MSU-2424 | 25 | 3 |
|--|--|--|--|-----------|-----------|----|---|

GALVANIZED With UTENSIL RACK

24" WIDE

| | | | | | | | |
|----|----|------------|------------|--|--|--|--|
| 24 | 24 | 4MGRU-2424 | 2MGRU-2424 | | | | |
|----|----|------------|------------|--|--|--|--|

30" WIDE

| | | | | | | | |
|----|----|------------|------------|--|--|--|--|
| 30 | 24 | 4MGRU-3024 | 2MGRU-3024 | | | | |
| 30 | 30 | 4MGRU-3030 | 2MGRU-3030 | | | | |
| 30 | 36 | 4MGRU-3036 | 2MGRU-3036 | | | | |

36" WIDE

| | | | | | | | |
|----|----|------------|------------|--|--|--|--|
| 36 | 30 | 4MGRU-3636 | 2MGRU-3636 | | | | |
|----|----|------------|------------|--|--|--|--|

STAINLESS STEEL With UTENSIL RACK

| | | | | | | | |
|--|--|--|--|------------|------------|----|---|
| | | | | 4MSRU-2424 | 2MSRU-2424 | 35 | 3 |
|--|--|--|--|------------|------------|----|---|

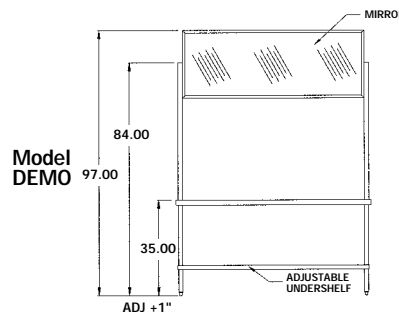
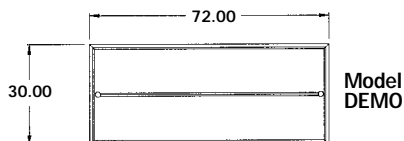
| | | | | | | | |
|--|--|--|--|------------|------------|----|---|
| | | | | 4MSRU-3024 | 2MSRU-3024 | 57 | 3 |
| | | | | 4MSRU-3030 | 2MSRU-3030 | 62 | 4 |
| | | | | 4MSRU-3036 | 2MSRU-3036 | 69 | 5 |

| | | | | | | | |
|--|--|--|--|------------|------------|----|---|
| | | | | 4MSRU-3636 | 2MSRU-3636 | 85 | 6 |
|--|--|--|--|------------|------------|----|---|

| A Width | B Length | 14GA 304 Model # | Ship Weight | Cubic Feet |
|---------|----------|------------------|-------------|------------|
|---------|----------|------------------|-------------|------------|

DEMO TABLE

| | | | | |
|----|----|-----------|-----|----|
| 36 | 60 | DEMO-3660 | 250 | 18 |
| 36 | 72 | DEMO-3672 | 275 | 23 |



ASK AERO:
We can
Customize
any product
for any
Application!

Call for
Details!

All dimensions are typical (tol. ±1/8"). • For Accessories and Options see pages TS-5A & TS-5B.

email - sales@aeromfg.com

AERO MANUFACTURING COMPANY • 310 ALLWOOD ROAD, CLIFTON, NEW JERSEY 07012 • VOICE 973473.5300 FAX 973.473.3794