

SERVER

• E S S E N T I A L S •

Fountain Jar Stations Stainless Steel Pump Stations | Cold

SPECIFICATION SHEET

FAST FACTS

Stainless Steel Fountain Jar Pump Cold Stations fit 3 1/2 qt fountain jars (sold separately), keep food chilled with ice or ice packs (sold separately) in an insulated base and dispense 1 1/4 oz max portions adjustable in 1/8 oz increments.

APPLICATIONS

- Potentially hazardous dressing and condiments like mayo that require cooling

DETAILS

- Chill multiple fountain jars in one compact station with pumps and ice packs (not included)
- Insulated stainless steel base keeps food cold up to (4) hours between changeouts with ice or ice packs
- Countertop and drop-in (DI) models available
- Brushed stainless steel finish helps reduce the visibility of fingerprints
- Stainless steel pumps are NSF listed, clean-in-place certified and dishwasher safe



SB-2DI 79950



SB-3DI 83860



SB-2 79890



SB-4 83700

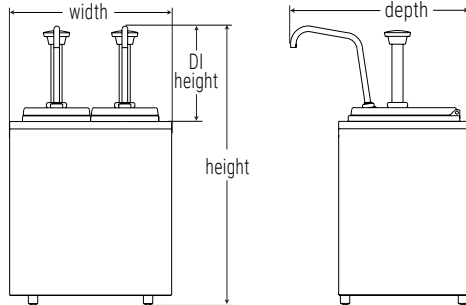


Chill anywhere, at any time.

SEE TABLE FOR APPLICABLE TRAITS BY MODEL	
DISPENSES KEY	THIN fountain syrups • oils • hot sauce
	THICK ketchup • mustard • mayo • bbq
	THICKER tartar sauce • crafted sauces
APP KEY	AMBIENT COLD HOT

FOUNTAIN JAR PUMP COLD STATIONS

Server Stainless Steel Fountain Jar Pump Cold Stations are constructed of an insulated stainless steel base with a brushed finish. Stations come complete with standard, deep white fountain jars (82557) and stainless steel CP-F pumps (83330). 1 1/4 oz max stroke reduces in 1/8 oz increments. Cold stations can be chilled with (1) Universal Ice Pack (100515, not included) per jar or with ice. Black knobs are standard. NSF listed, clean-in-place certified. BPA Free. Two-year warranty.



model/item	drop-in cutout (W x D)
SB-2DI 79950	11" x 8 7/8"
SB-3DI 83860	15 5/8" x 8 7/8"
SB-4DI 83720	20 1/4" x 8 7/8"

FOUNTAIN JAR PUMP COLD STATIONS

order amt	dispenses	model/item	application	description	dims (H x W x D)	weight
<input type="checkbox"/>		SB-2 79890		(2) pumps and 3 1/2 qt jars countertop	18 11/16" x 10 7/8" x 12"	16 lb
<input type="checkbox"/>		SB-2DI 79950		(2) pumps and 3 1/2 qt jars drop-in (DI)	6 7/16" x 10 7/8" x 12"	
<input type="checkbox"/>		SB-3 83790		(3) pumps and 3 1/2 qt jars countertop	18 11/16" x 15 1/2" x 12"	22 lb
<input type="checkbox"/>		SB-3DI 83860		(3) pumps and 3 1/2 qt jars drop-in (DI)	6 7/16" x 15 1/2" x 12"	
<input type="checkbox"/>		SB-4 83700		(4) pumps and 3 1/2 qt jars countertop	18 11/16" x 20 1/8" x 12"	28 lb
<input type="checkbox"/>		SB-4DI 83720		(4) pumps and 3 1/2 qt jars drop-in (DI)	6 7/16" x 20 1/8" x 12"	

RELATED PRODUCTS

COLORED FOUNTAIN JARS

Choose black or orange jars rather than white; use orange jars to call out common food allergens like nuts.

item	description	capacity	jar color
83149			
83156	standard, deep fountain jar	3 1/2 qt 3.3 L	
82557			
83147			
83148	standard, shallow fountain jar	2 qt 1.9 L	
82558			



COLORED, ENGRAVED KNOBS

Interchangeable engraved and colored knobs help staff and patrons identify contents, coordinate with store themes or promote branded products. Specify color and text at time of order – exact shade may vary.



KEEP COOL AND ORGANIZED WITH FOUNTAIN JAR TOPPING STATIONS
 SERVER-PRODUCTS.COM | 800.558.8722 | 262.628.5600