



Soda Gun Holder

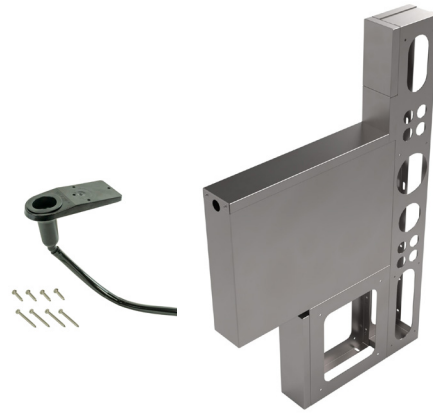
Stainless Steel Underbar Equipment



Use your smart phone to scan the above QR code to visit our website:
www.bk-resources.com

Features:

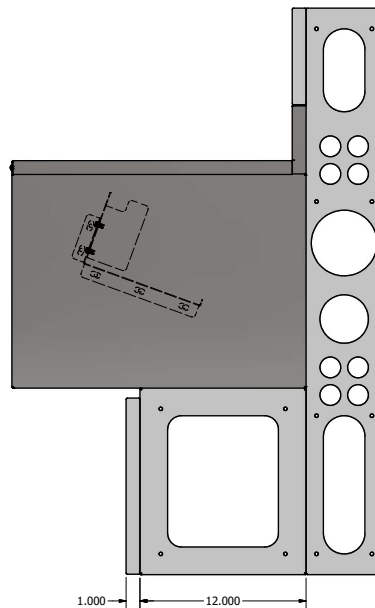
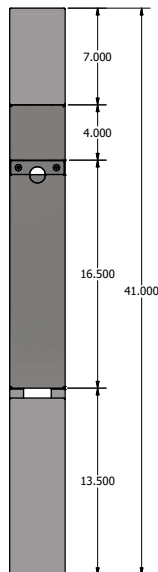
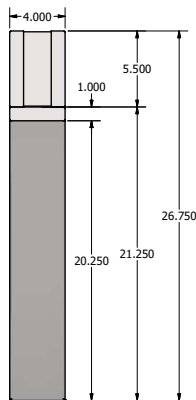
- Soda Gun Holster with Drain Tube Hole
- Fits All Styles of Post-Mix Gun
- Nozzle Stays Clean
- 26^{3/4}" x 4"
- DieWall & Base
- Includes BK-SGH (2-Piece Gun Holster With Drain Tube)



Material:

- T-304 18 ga. Stainless Steel

Part Number	Description	Unit Size (l x w x h)
UBDW-21-SGH4	Underbar Soda Chase	4" x 26 ^{3/4} " x 41"



PRODUCT DATA SHEET

BK RESOURCES

