



PSC-66L  
 shown with 01001500  
 slide-out chemical bottle rack



PSC-78R  
 shown with 01001500  
 slide-out chemical bottle rack



**Intertek**  
 4004503

Conforms to NSF/ANSI STD 2  
 Certified to CSA STD B45.4

**WARNING:** The plastic wet waste strainer included with this product can expose you to chemicals including Bisphenol A (BPA), which is known to the State of California to cause birth defects or other reproductive harm. For more information, go to [www.P65Warnings.ca.gov](http://www.P65Warnings.ca.gov). **Part #03000483**  
**Warning applies to State of California only.**

Project: _____	AIA# _____
Item #: _____ Qty: _____	SIS# _____
Model #: _____	

## Complete Pass-thru Stations

<b>PSC</b>	PSC-66L, PSC-66R, PSC-78L, PSC-78R
------------	------------------------------------

### Standard Features

- Pass thru ice bin (84lb capacity)
- Two wet waste waste sinks (9-1/4" by 11-1/2" by 6" deep bowls) with sink strainers
- Gooseneck faucet
- Server-side, removable stainless steel dry waste receptacle (5 gallon capacity)
- Stainless steel, draining tray shelf with removable perforated inserts
- GW24 glasswasher with bi-fold cover
- PSC-78 includes eight bottle insulated storage well

### Configurable Options

- Stainless or laminated front/end panels
- Leftward or rightward workflow for the bartender (designated with L or R in model number)
- Full single or double speedrail, or combined blender shelf with double speedrail
- Soda manifold housing with soda gun holders or tubing chase
- Ten-circuit sealed cold plate

### Accessories

SOS/SS-66	66" stainless steel single overshef
DOS/SS-66	66" stainless steel double overshef
SOS/SS-78	78" stainless steel single overshef
DOS/SS-78	78" stainless steel double overshef
IBD-H-CS32	Ice bin divider, half
02006635	Three piece, sliding, ice bin cover
CCD/T	Clip-on condiment dispenser
03000509	Sneeze guard
01001500	Slide-out chemical bottle rack
01001601	Rack divider, two-piece assembly

To view underbar installation instructions, please visit: [https://www.glastender.com/PDF/F-750-165\\_Underbar\\_Installation\\_Instructions.pdf](https://www.glastender.com/PDF/F-750-165_Underbar_Installation_Instructions.pdf)  
 To view cleaning and care instructions, please visit: [https://www.glastender.com/PDF/F-423-011\\_ss\\_clean\\_care.pdf](https://www.glastender.com/PDF/F-423-011_ss_clean_care.pdf)

<b>Glastender, Inc.</b> • 5400 N Michigan Rd • Saginaw, MI • 48604-9780 989.752.4275 • 800.748.0423 • Fax 989.752.4444 <a href="http://www.glastender.com">www.glastender.com</a>	Approval/Notes:
Specifications subject to change without notice. For current specifications please visit our website.	

# PSC - Complete Pass-thru Stations

## Specifications

### **GW24 Glasswasher**

- See GW24 Glasswasher spec sheet

### **Ice Bin**

- 15" by 28" by 10-1/2" deep

### **Ice Bin Drain**

- No coldplate: 1-1/2" tailpiece
- Coldplate: 1/2" MPT

### **Bottle well drain (PSC-78 models)**

- 1-1/2" tailpiece

### **Sink Bowls**

- 9-1/4" by 11-1/2" by 6" deep

### **Sink Drains**

- 1-1/2" I.P.S.

### **Tube Chase (optional)**

- 4" by 8" by 6-1/2" high

### **Sneeze Guard (optional)**

- 17-1/4" by 27-1/2" by 10" high

### **Tray and Overshelf (optional) Drains**

- 1/2" tailpiece

### **Blender Shelf/Double Speed Rail (optional)**

- PCS-66 models: 24" long by 10" double speed rail (12 bottle capacity) with 16" long by 10" blender shelf
- PCS-78 models: 36" long by 10" double speed rail (18 bottle capacity) with 16" long by 10" blender shelf

### **Full Double Speed Rail (optional)**

- PSC-66 models: 40" long by 10" double speed rail (20 bottle capacity)
- PSC-78 models: 52" long by 10" double speed rail (26 bottle capacity)

### **Full Single Speed Rail (optional)**

- PSC-66 models: 40" long by 5" double speed rail (10 bottle capacity)
- PSC-78 models: 52" long by 5" double speed rail (13 bottle capacity)

### **Faucet**

- On 4" centers, accepts 3/8" sink leads, hot and cold water connections required

### **Cold Plate (optional)**

- Ten circuit
- Connection is 5/16" O.D. stainless steel tubing with swaged end

### **Shelf Heights**

- Tray shelf: 44"
- Single overshelf (optional)...69"
- Double overshelf (optional)...63" and 72"

### **Recommendations**

- Provide 12" by 12" open floor drain (safe waste) under ice bin - consult local codes
- Provide 120V, 20 AMP, four-plex electrical outlet below ice bin for appliances such as blenders, carbonators, dispensers, etc.

### **Materials**

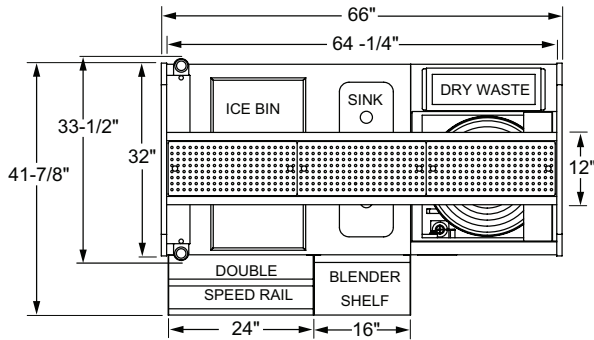
- 22 gauge stainless steel parts include: ice bin exterior sides, back, and bottom
- 20 gauge stainless steel parts include: all components unless otherwise noted
- 18 gauge stainless steel parts include: glasswasher floor and tank, dry waste receptacle
- 16 gauge stainless steel parts include: leg mounting brackets and legs, kick rail
- 14 gauge stainless steel parts include: blender shelf ends and double speed rail ends
- 11 gauge stainless steel parts include: glasswasher conveyor drive wheel
- PVC speed rail step and rail covers
- Laminated wooden front and end panels (optional)
- 1/4" clear acrylic sneeze guard (optional)

# PSC - Complete Pass-thru Stations

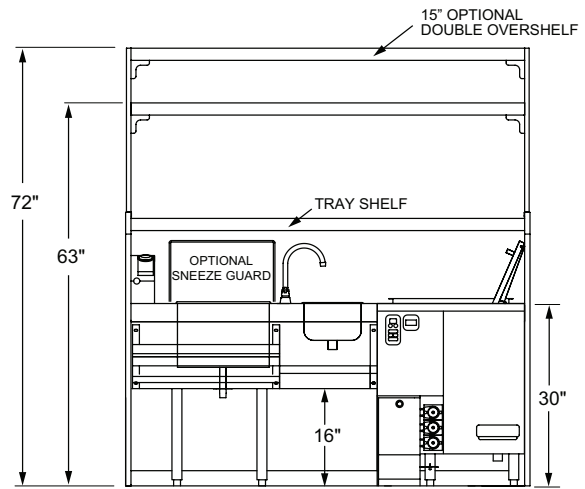
## Drawings

### PLAN VIEWS

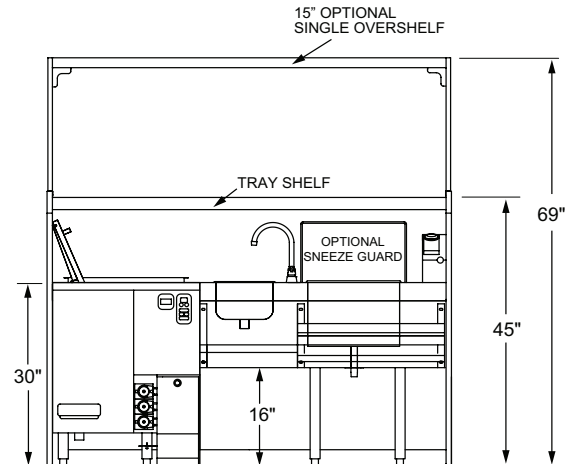
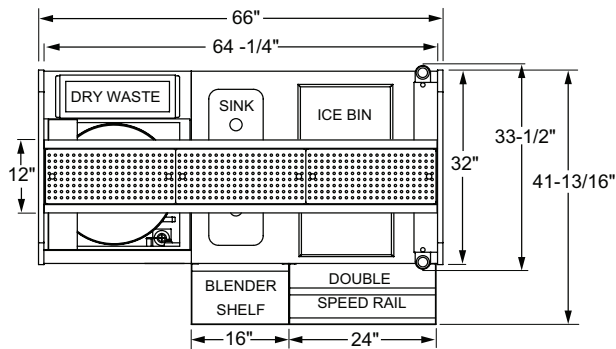
**PSC-66R**



### BARTENDER SIDE ELEVATION



**PSC-66L**

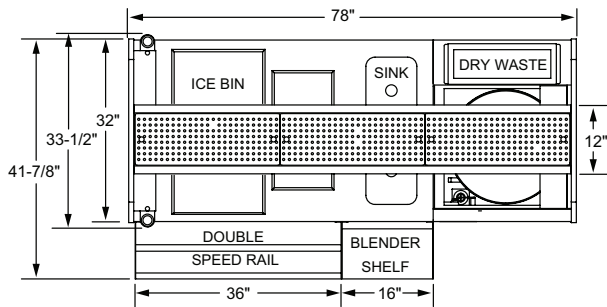


# PSC - Complete Pass-thru Stations

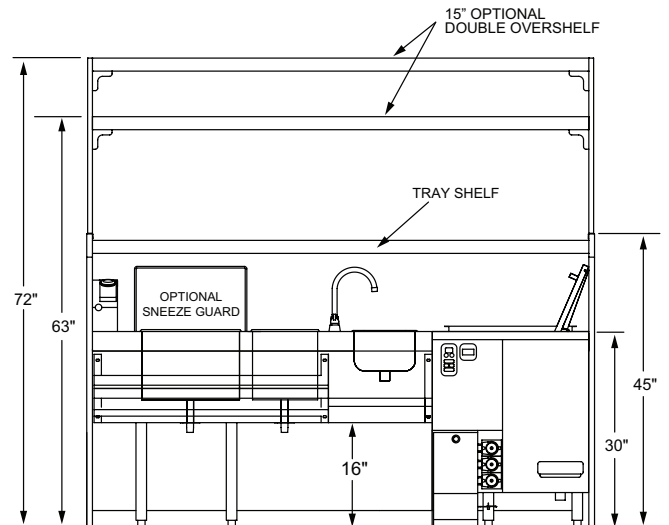
## Drawings

### PLAN VIEWS

**PSC-78R**



### BARTENDER SIDE ELEVATION



**PSC-78L**

