



C-DBG3-24



**Intertek**  
4004503

Conforms to ANSI/NSF STD 2

Project: _____	AIA# _____
Item #: _____ Qty: _____	SIS# _____
Model #: _____	

## Drainboard Glassracks

**C-DBG**

C-DBG3-18, C-DBG3-24

### Standard Features

- All stainless steel construction
- Adjustable stainless steel bullet feet
- One piece seamless top and backsplash featuring 1/4" radius corners for easy cleaning
- Corrugated work surface
- Includes bottom floor and two sets of rack slides for storing up to three glass racks below the work surface

NOTE: Three racks up to 7" or two racks up to 10-1/2" high.

### Specifications

#### Drain

- 1/2" welded tailpiece. Clear vinyl drain line is connected to the tailpiece at the factory. A 1/2" by 1/2" barbed plastic elbow is provided to make the connection at the bottom of the unit.

#### Legs

- 1-5/8" diameter, 16 gauge stainless steel
- Stainless steel bullet feet

#### Materials

- 20 gauge stainless steel parts include: all components unless otherwise noted
- 14 gauge stainless steel parts include: rack slides

### Product Information

Drainboard Glassracks are designed to hold racks for glassware. All models are 24" deep. The 24" wide model holds 20" by 20" racks and the 18" wide model holds the 16" round racks used with Glastender GT-18 glasswashers.

### Configurable Options

C-LSB-D Left side splash for 24" (B) deep models

C-RSB-D Right side splash for 24" (B) deep models

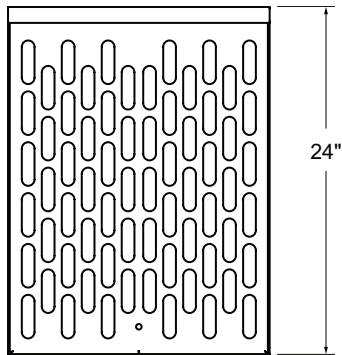
To view cleaning and care instructions, please visit:  
[https://glastender.com/PDF/F-423-011\\_ss\\_clean\\_care.pdf](https://glastender.com/PDF/F-423-011_ss_clean_care.pdf)

<p><b>Glastender, Inc.</b> • 5400 North Michigan Road • Saginaw, MI • 48604-9780 989.752.4275 • 800.748.0423 • Fax 989.752.4444 <a href="https://glastender.com">https://glastender.com</a></p>	Approval/Notes:
Specifications subject to change without notice. For current specifications please visit our website.	

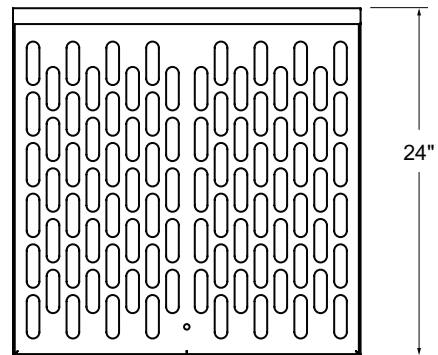
# Choice Drainboard Glassracks

## Dimensional Information

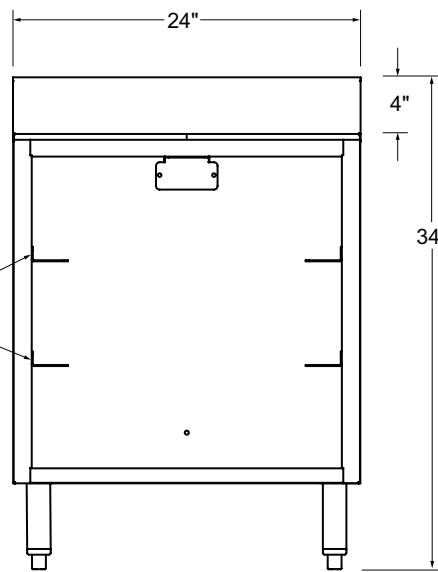
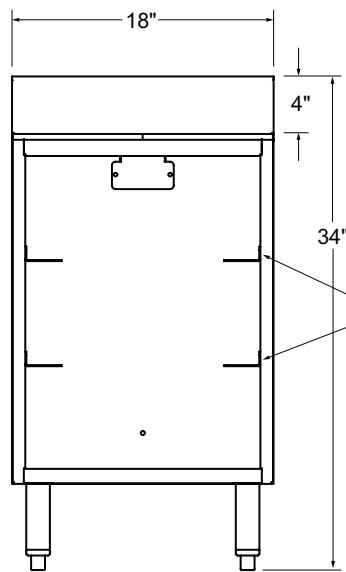
C-DBG3-18



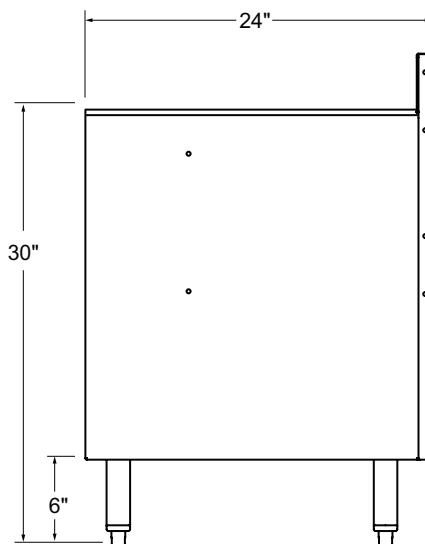
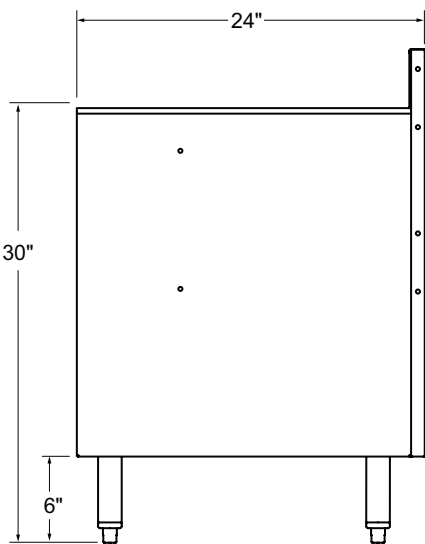
C-DBG3-24



PLAN VIEWS



FRONT ELEVATIONS



SIDE ELEVATIONS

