

### "SARB" TRADITIONAL BUTCHER BLOCKS

*Saratoga Farm Block - 4" Thick End Grain Top*

**FEATURES:**

- Northern Hard Rock Maple
- End Grain Construction
- Base Color Options Available
- Boos Block Cream With Beeswax Finish

**CERTIFICATIONS:**

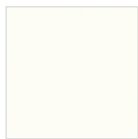


NHLA



SARB1-M

#### COLOR BASE OPTIONS



ALABASTER  
(-AL)



CAVIAR BLACK  
(-BK)



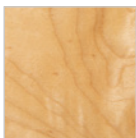
SLATE GRAY  
(-SG)



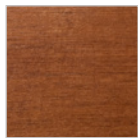
BARN RED  
(-BN)



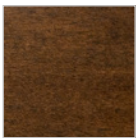
BASIL  
(-BS)



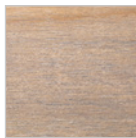
NATURAL MAPLE  
(-N)



WARM CHERRY  
STAIN (-CR)



WALNUT STAIN  
(-WT)



USEFUL GRAY  
STAIN (-UG)

#### ACCESSORIES

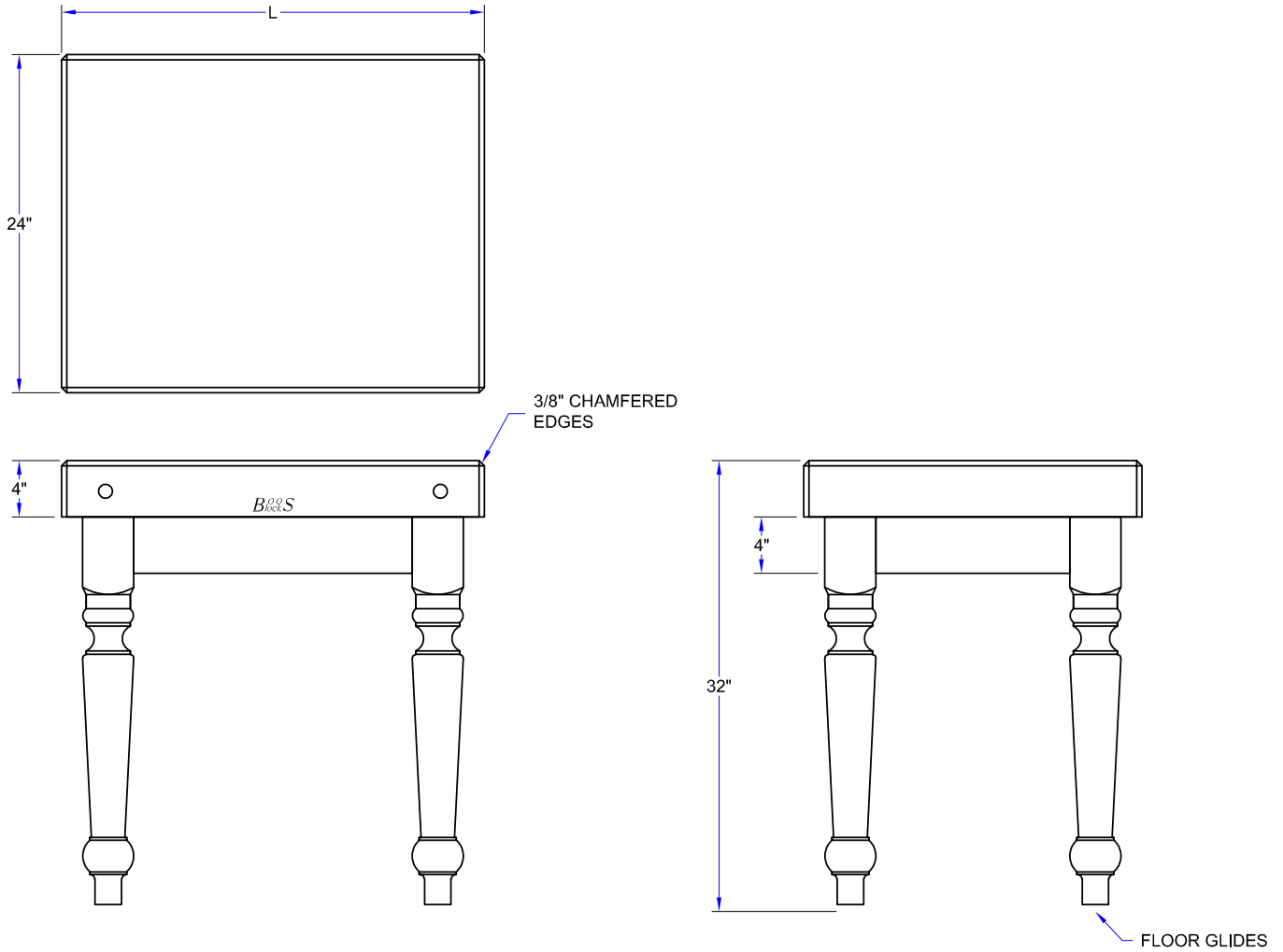
MODEL	DESCRIPTION
CAS03	2-1/2" Commercial Grade Locking Casters

#### "SARB" WOOD BUTCHER BLOCK

MODEL	TOP SIZE (L X W X H)	OVERALL HEIGHT	WT. (LBS)
SARB1-M	24"x24"x4"	32"	105
SARB2-M	30"x24"x4"	32"	120

ALL DIMENSIONS ARE TYPICAL. TOLERANCE +/- .500". JOHN BOOS & CO. RESERVES THE RIGHT TO CHANGE SPECIFICATIONS WITHOUT NOTICE.

# DETAILED SPECIFICATIONS



## "SARB" WOOD BUTCHER BLOCK

MODEL	TOP SIZE (L X W X H)	OVERALL HEIGHT	WT. (LBS)
SARB1-M	24"x24"x4"	32"	105
SARB2-M	30"x24"x4"	32"	120

ALL DIMENSIONS ARE TYPICAL. TOLERANCE +/- .500". JOHN BOOS & CO. RESERVES THE RIGHT TO CHANGE SPECIFICATIONS WITHOUT NOTICE.