

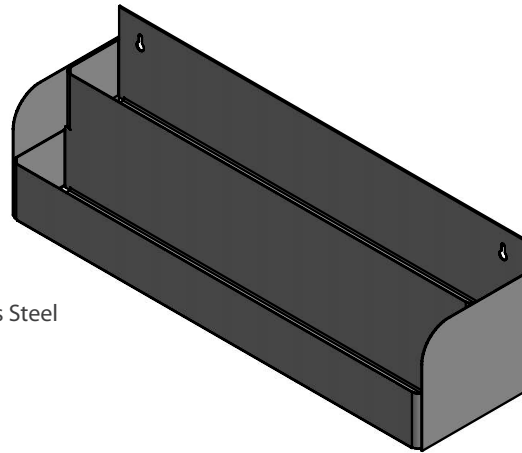


Underbar Double Speed Rail

Stainless Steel Underbar Double Speed Rail



Use your smart phone to scan the above QR code to visit our website:
www.bk-resources.com



Features:

- Keyhole Mounting

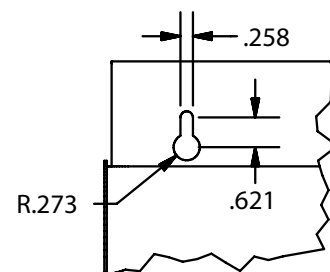
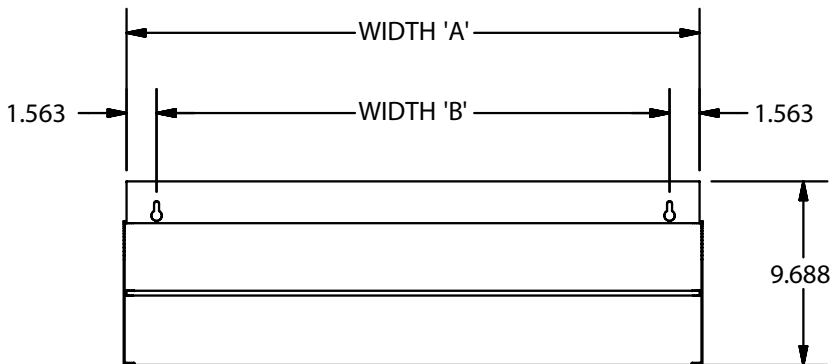
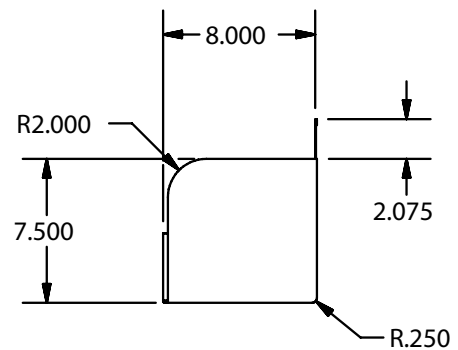
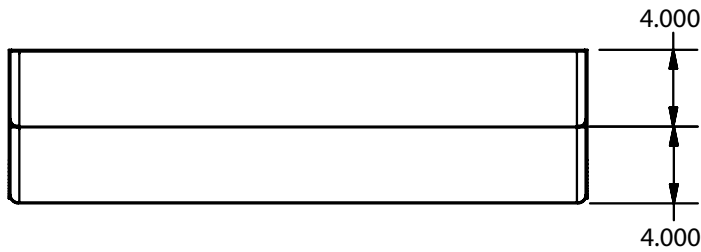
Material:

- T-304 18 ga. Stainless Steel

Options:

- Single or Double

Part Number	Width A	Width B	Holes	Product Weight (lbs)
BKUBSR-2-24	24	21"	2	10.00
BKUBSR-2-30	30	27"	2	12.50
BKUBSR-2-36	36	16 1/2"	3	14.50
BKUBSR-2-48	48	22 1/2"	3	20.00



PRODUCT DATA SHEET

BK RESOURCES

