



Soda Gun Holder

Stainless Steel Underbar Equipment



Use your smart phone to scan the above QR code to visit our website:
www.bk-resources.com

Features:

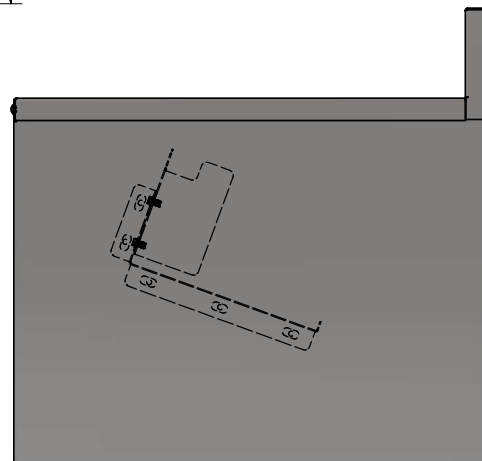
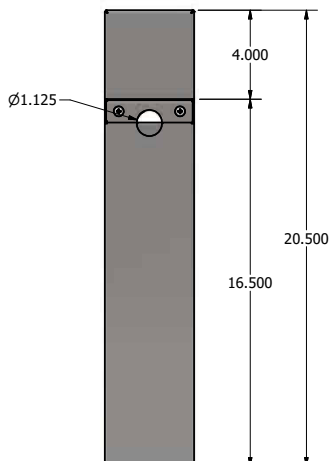
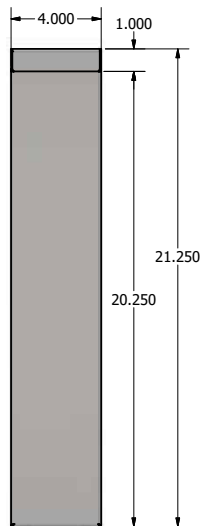
- Soda Gun Holster with Drain Tube Hole
- Fits All Styles of Post-Mix Gun
- Nozzle Stays Clean
- 21" x 4"
- Attaches to sides of (2) Underbar Units
- Includes BK-SGH (2-Piece Gun Holster With Drain Tube)

Material:

- T-304 18 ga. Stainless Steel



Part Number	Description	Unit Size (l x w x h)
UB4-21-SGH4	Underbar Soda Chase	4" x 21 ^{1/4} " x 20 ^{1/2} "



PRODUCT DATA SHEET

BK RESOURCES

