

Commercial Point-Of-Entry Softener | WSS

PROTECTING YOUR KITCHEN EQUIPMENT SHOULDN'T BE HARD

Antunes Water Softener Systems are an excellent solution for any operation dealing with hardness and scale problems affecting their equipment.

The vast majority of the country has hard water, and that hardness and associated scale deposition can be a serious problem for food and beverage equipment. An Antunes Water Softener can eliminate these problems, reducing the total hardness in your water. The Commercial Point of Entry Water Softener Systems will ensure that your equipment stays free of scale.



Point of Entry Softener WWS



Say Goodbye to Scale

Water softeners reduce total water hardness which reduces the potential for scale formation.



Multiple Models

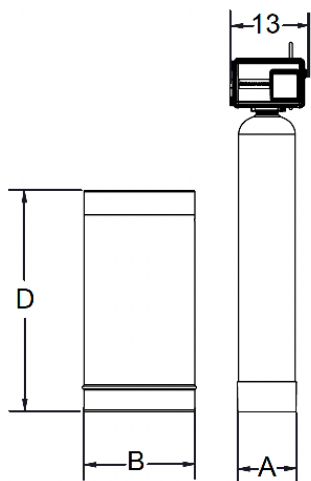
Various sizes to meet your softening needs.



Reliability

Antunes softeners are designed for reliability and long life.

Commercial Point-Of-Entry Softener | WSS



Features:

- Prevents scale build-up on equipment
- Lowers total hardness below 1 grain per gallon
- Comes in 1 ft³, 2 ft³, and 3 ft³ tank assemblies for varying levels of hardness and water usage
- Reduces soap requirements for cleaning

Model & Part No.	Max Flow Rate	Pressure Drop at Rated Flow Rate	Drain Flow Rate	Softener Width (A)	Softener Height (C)	Softener Operating Weight	Softener Tank Size	Brine Tank Depth (B)	Brine Tank Height (D)	Brine Tank Operating Weight
WSS-0948 9710147	7.5 gpm (28.4 lpm)	15 PSI	2 gpm (7.6 lpm)	9" (229 mm)	56" (1422 mm)	125 lbs (57 kg)	9"x48" (229 x 1219 mm)	18" (4572 mm)	36" (9144 mm)	200 lbs (91 kg)
WSS-1252 9710148	15 gpm (56.8 lpm)	15 PSI	3.5 gpm (13.2 lpm)	12" (305 mm)	60" (1524 mm)	220 lbs (98 kg)	12"x52" (305 x 1321 mm)	18" (4572 mm)	36" (9144 mm)	200 lbs (91 kg)
WSS-1465 9710149	22.5 gpm (85.17)	15 PSI	5 gpm (18.9 lpm)	14" (356 mm)	73" (1854 mm)	296 lbs (134 kg)	14"x65" (356 x 1651 mm)	24" (6096 mm)	41" (1041 mm)	500 lbs (228 kg)

Model & Part No.	Resin Volume (Cubic Feet)	Rated Capacity (Gains @ lbs of Salt)	Rated Efficiency (Gains @ lbs of Salt)	Volts	Hertz	Watts	Amps	Operating Pressure (PSI)	Operating Temperature	Inlet	Outlet	Drain
WSS-0948 9710147	1	20,000 @ 6.0 24,000 @ 8.0 30,000 @ 15.0	4,490 @ 4.0	120	50/60	40 VA	0.33	20-125	34-110°F (1.1-43.3°C)	1" (25.4 mm) NPT Male	1" (25.4 mm) NPT Male	1/2" (12.7 mm) ID Hose
WSS-1252 9710148	2	40,000 @ 12.0 48,000 @ 16.0 60,000 @ 30.0	4,490 @ 8.0	120	50/60	40 VA	0.33	20-125	34-110°F (1.1-43.3°C)	1" (25.4 mm) NPT Male	1" (25.4 mm) NPT Male	1/2" (12.7 mm) ID Hose
WSS-1465 9710149	3	60,000 @ 18.0 72,000 @ 24.0 90,000 @ 45.0	4,490 @ 12.0	120	50/60	40 VA	0.33	20-125	34-110°F (1.1-43.3°C)	1" (25.4 mm) NPT Male	1" (25.4 mm) NPT Male	1/2" (12.7 mm) ID Hose