



Project:

Item Number:

Quantity:

## INSTA CUT® 3.5 MANUAL FOOD PROCESSORS



### DESCRIPTION

Insta Cut 3.5 quickly and accurately cuts fruits and vegetables with one stroke, without bruising or waste. The blade assembly in this sturdy dicer pops in and out for easy changing and cleaning. It is available in tabletop and wall-mount versions to add location and space-saving options.

This cutter is ideal for dicing onions, tomatoes, and peppers—as well as wedging and coring apples, lemons, limes, oranges, peppers and tomatoes. It is not intended for hard root vegetables such as carrots and sweet potatoes.

### FEATURES & BENEFITS

- Insta Cut 3.5 is 3x faster than cutting by hand.
- Pop-in, pop-out blade assemblies change from dice to wedge to core in seconds.
- Easy-to-clean blade assemblies never need adjustment or tightening and will never corrode.
- Tall base design fits containers up to 6" deep.
- Decreased food waste saves money.
- Tabletop or wall-mount options add versatility.
- 3.5" square cutting area accommodates various food sizes.
- Aluminum base and stainless steel rods are durable.
- Suction feet prevent sliding.

### AGENCY LISTINGS



### ITEMS

Tabletop	
Item	Description
15000	¼-Inch-Dice Insta Cut 3.5, Tabletop
15001	⅜-Inch-Dice Insta Cut 3.5, Tabletop
15002	½-Inch-Dice Insta Cut 3.5, Tabletop
15003	4-Section-Wedge Insta Cut 3.5, Tabletop
15005	6-Section-Wedge Insta Cut 3.5, Tabletop
15006	8-Section-Wedge Insta Cut 3.5, Tabletop
15007	10-Section-Wedge Insta Cut 3.5, Tabletop
15008	12-Section-Wedge Insta Cut 3.5, Tabletop
15009	6-Section-Core Insta Cut 3.5, Tabletop
15010	8-Section-Core Insta Cut 3.5, Tabletop
Wall Mount	
Item	Description
15016	¼-Inch-Dice Insta Cut 3.5, Wall-Mount
15017	⅜-Inch-Cut Insta Cut 3.5, Wall-Mount
15018	½-Inch-Dice Insta Cut 3.5, Wall-Mount
15019	4-Section-Wedge Insta Cut 3.5, Wall-Mount
15021	6-Section-Wedge Insta Cut 3.5, Wall-Mount
15022	8-Section-Wedge Insta Cut 3.5, Wall-Mount
15023	10-Section-Wedge Insta Cut 3.5, Wall-Mount
15024	12-Section-Wedge Insta Cut 3.5, Wall-Mount
15026	8-Section-Corer Insta Cut 3.5, Wall-Mount

### WARRANTY

All models shown come with Vollrath's 1-year standard warranty against defects in materials and workmanship. For full warranty details, please refer to [vollrathfoodservice.com](http://vollrathfoodservice.com).

Approvals	Date

*Due to continued product improvement, please consult [vollrathfoodservice.com](http://vollrathfoodservice.com) for current product specifications.*

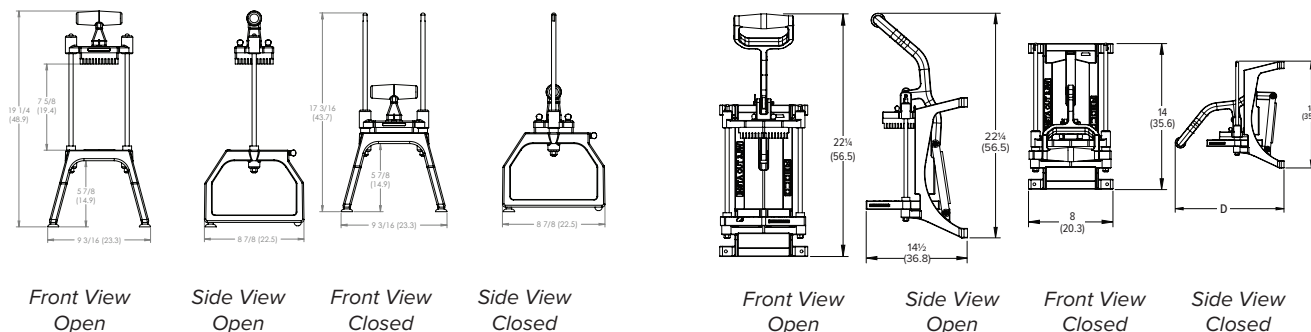
# INSTA CUT® 3.5 MANUAL FOOD PROCESSORS

## ACCESSORIES AND REPLACEMENT PARTS

Replacement Parts					
Tabletop	Wall Mount	T-handle Pusher Tabletop Blade	Pusher Wall Mount Blade	Cut IN (CM)	Bladse Only
15000	15016	15059	15081	¼ (6.4) dice	15062
15001	15017	15060	15082	⅜ (9.5) dice	15063
15002	15018	15061	15083	½ (12.7) dice	15064
—	—	15085	15084	¼ x ½ (6.4 x 12.7) dice	15086
15003	15019	15050	15073	4-Section Wedge	15065
15005	15021	15052	15075	6-Section Wedge	15067
15006	15022	15053	15076	8-Section Wedge	15068
15007	15023	15054	15077	10-Section Wedge	15069
15008	15024	15055	15078	12-Section Wedge	15070
15009	—	15087	15079	6-Section Core	15071
15010	15026	15058	15080	8-Section Core	15072
Accessories					
Base Assembly		15100	—	—	—
Wall Mount Bracket		—	15125	—	—

## DIMENSIONS

Shown in inches (cm)



## SPECIFICATIONS

Items	Description	Open Overall Dimensions (W x D x H) in (cm)	Closed Overall Dimensions (W x D x H) in (cm)	Shipping Dimensions (W x D x H) in (cm)	Shipping Weight lb (kg)
15000, 15001, 15002, 15003, 15005, 15006, 15007, 15008, 15009, 15010	Tabletop	9 x 9 x 18 (23 x 23 x 45.7)	9 x 9 x 17 1/8 (23 x 23 x 43.5)	10.7 x 25.2 x 12.2 (27.2 x 63.9 x 31.0)	16.4 lb (7.4 kg)
15016, 15017, 15018, 15019, 15021, 15022, 15023, 15024, 15026	Wall Mount	8 x 14 1/2 x 22 1/4 (20.3 x 36.8 x 56.5)	8 x 14 1/2 x 14 (20.3 x 36.8 x 35.6)	10.7 x 25.2 x 12.2 (27.2 x 63.9 x 31.0)	16.4 lb (7.4 kg)



**The Vollrath Company, L.L.C.**  
 1236 North 18th Street  
 Sheboygan, WI 53081-3201 U.S.A.  
 Main Tel: 800.624.2051 or 920.457.4851  
 Main Fax: 800.752.5620 or 920.459.6573  
 Customer Service: 800.628.0830  
 Canada Customer Service: 800.695.8560

**Technical Services**  
 techservicereps@vollrathco.com  
 Induction Products: 800.825.6036  
 Countertop Warming Products: 800.354.1970  
 All Other Products: 800.628.0832