



460 Southport Commerce Blvd.
 Spartanburg SC 29306
 Phone: 864-574-6004
 Fax: 864-574-6005
 www.ojedausa.com
 sales@ojedausa.com

Project: _____
 Model #: _____
 Item #: _____ Qty: _____
 Approval: _____

ICE CREAM FREEZERS

NBH-28



R-290 REFRIGERANT

Equipped with R-290 refrigerant, an eco-friendly alternative that meets the EPA's environmental impact regulations.

INTERNAL LED LIGHTING

Internal LED lighting offers a more energy efficient and long lasting way to illuminate the cabinet.

ADJUSTABLE THERMOSTAT

Freezers are equipped with a mechanical thermostat that allows the users to adjust temperature that best fits their products needs. Set from factory at -4°F.

CASTERS

Equipped with durable casters that allow easy and fast movement in the store.

HIGH IMPACT ABS FRAME

Made of a high impact durable plastic, this frame assures a long-term life span.

TOP LIGHT BAR

Optional top light bar for custom graphics.

OPERATING TEMPERATURE

-10°-0°F

CUSTOM GRAPHICS

Standard color: white

Dimensions			Crated Dimensions			Baskets	HP	Voltage	NEMA config	Amps	Crated Weight		
	W	D	H		W	D	H	2	1/5	120	5-15P	3	108 lbs
(in)	28.1	26.4	34.2	(in)	29.4	27.7	35.3	Net Capacity (cf): 4.31			Energy Consumption: 1.71 kw-hr/day		
(mm)	715	670	868	(mm)	745	702	896						

*Inches rounded up one decimal place *Specifics may change without notification



CABINET CONSTRUCTION

- High-density, CFC-Free, polyurethane insulation
- Low-E tempered curved sliding glass lids with lock and keys
- High impact ABS top frame
- Exterior: white galvanized metal cabinet with powder coated painted surface
- Interior: white easy to clean pre-painted steel
- 2" heavy duty casters
- Drain plug for easy cleaning
- Lighting: Interior LED lighting

OPERATING CONDITIONS

- The unit is best suited for an environment where temperatures remain below 75°F and humidity does not exceed 55%
- Areas with direct sunlight should also be avoided

OPTIONS

- Two ring tub holders
- Top light bar
- Includes 2 baskets

REFRIGERATION

- Mechanical thermostat
- Easy to reach components for repairs
- R-290 refrigerant

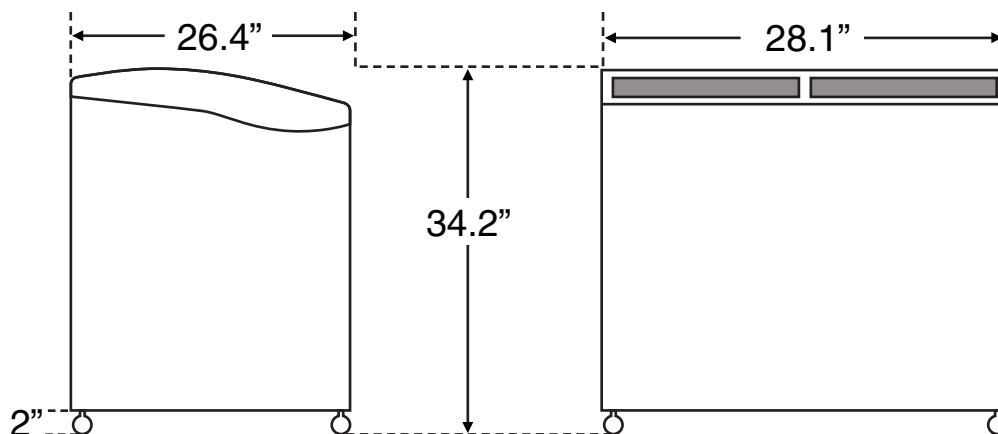
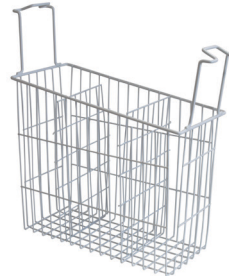
WARRANTY

- 3 year parts and labor warranty
- 5 year compressor part

TOP LIGHT BAR



BASKETS



*Specifics may change without notification

