



T&S BRASS AND BRONZE WORKS, INC.

2 Saddleback Cove / P.O. Box 1088
Travelers Rest, SC 29690

Model No.

B-2320

Item No.

Travelers Rest, SC: 800-476-4103 • Simi Valley, CA: 800-423-0150 • Fax: 864-834-3518 • www.tsbrass.com



ADA Compliant

This Space for Architect/Engineer Approval

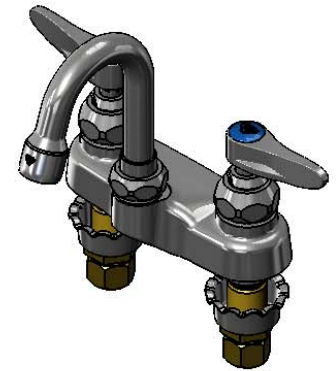
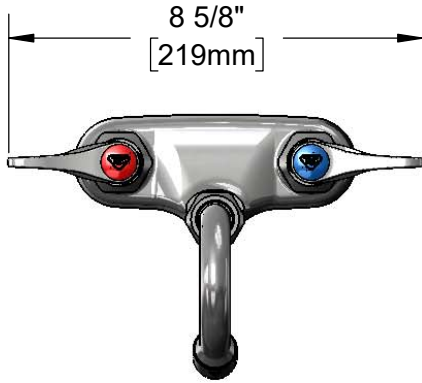
Job Name _____ Date _____

Model Specified _____ Quantity _____

Customer/Wholesaler _____

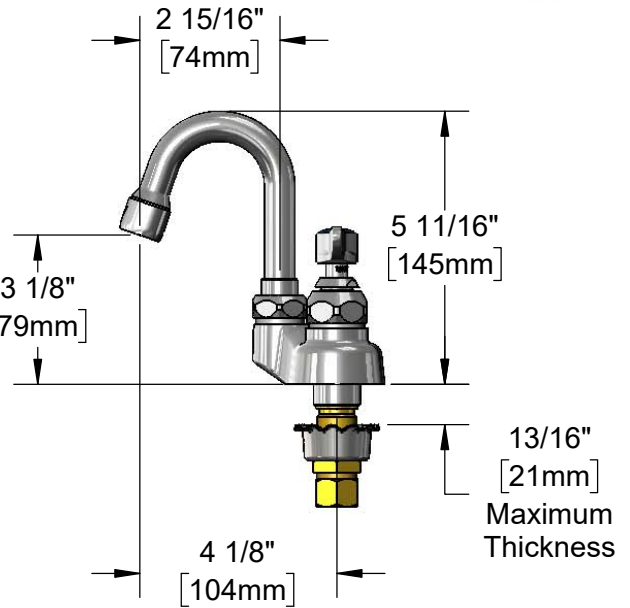
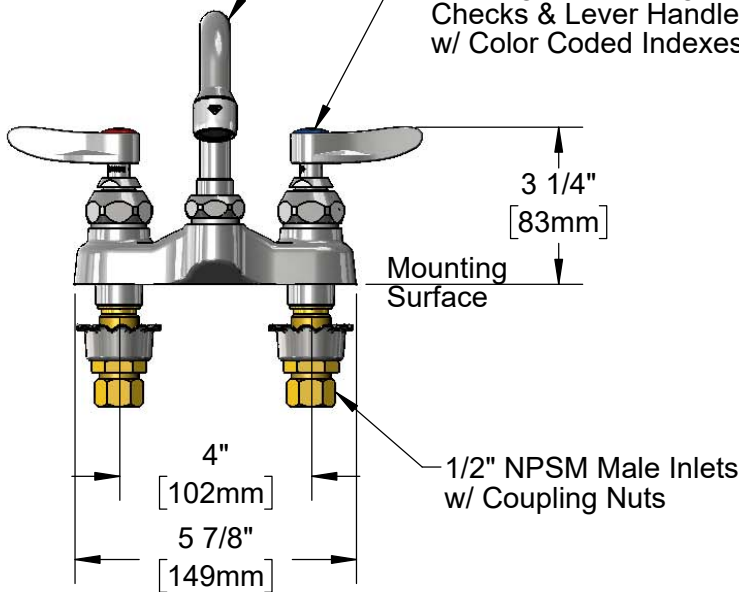
Contractor _____

Architect/Engineer _____



Swivel/Rigid Gooseneck
w/ B-0199-01
2.2 GPM Aerator.
Converts to Rigid w/
014200-45 Lock Washer
(Included)

Quarter-Turn Eterna
Cartridges w/ Spring
Checks & Lever Handles
w/ Color Coded Indexes



Rough-In Requirement:
(2) ϕ 1 1/8" [29mm] Mounting Holes

Product Specifications:

4" Centerset Deck Mount Faucet, Quarter-Turn Eterna Cartridges w/ Spring Checks, Lever Handles, Swivel/Rigid Gooseneck, 2.2 GPM Aerator & 1/2" NPSM Male Inlets w/ Coupling Nuts

Product Compliance:

ASME A112.18.1 / CSA B125.1
NSF 61 - Section 9
NSF 372 (Low Lead Content)
ANSI A117.1 (ADA)



T&S BRASS AND BRONZE WORKS, INC.

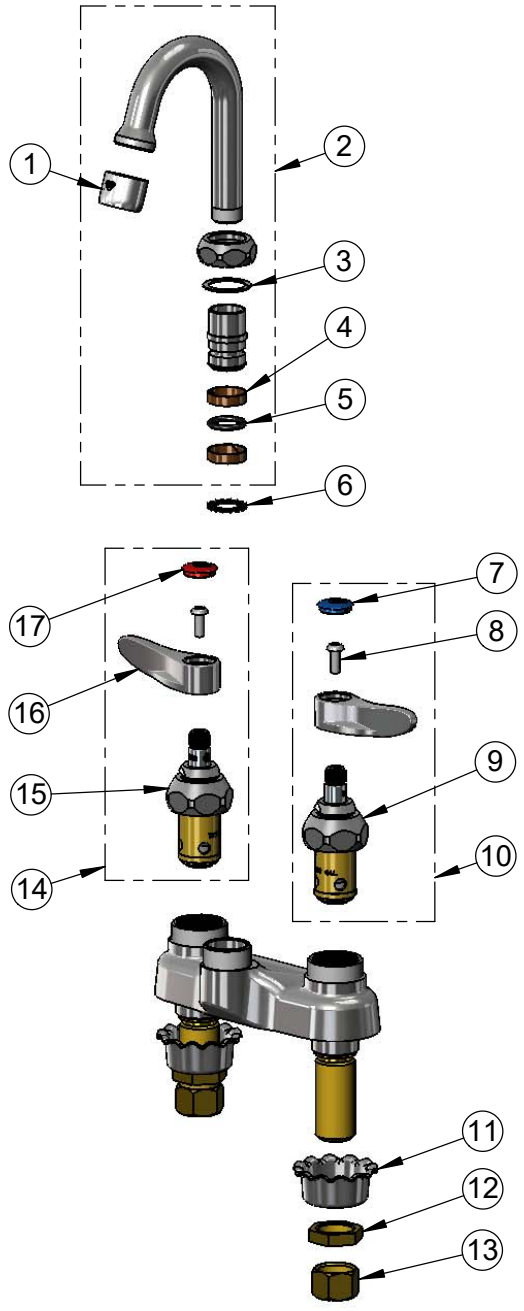
2 Saddleback Cove / P.O. Box 1088
Travelers Rest, SC 29690

Model No.

B-2320

Item No.

Travelers Rest, SC: 800-476-4103 • Simi Valley, CA: 800-423-0150 • Fax: 864-834-3518 • www.tsbrass.com



ITEM NO.	SALES NO.	DESCRIPTION
1	B-0199-01	2.2 GPM Aerator, 55/64-27 UN Female
2	008978-40	Swivel Gooseneck w/ 2.2 GPM Aerator
3	009538-45	Swivel Washer
4	011429-45	Swivel Sleeves (2)
5	001074-45	O-Ring
6	014200-45	Star Washer, Anti-Rotation
7	018506-19NS	Blue Button Index, Press-in
8	000925-45	Lab Handle Screw
9	012442-40NS	Quarter-Turn Eterna Cartridge w/ Spring Check, LTC
10	002711-40NS	Quarter-Turn Eterna Cartridge w/ Spring Check, Handle, Blue Index & Screw, LTC
11	001000-45	Rosette Washer
12	002954-45	Shank Lock Nut
13	000958-20	Coupling Nut
14	002712-40NS	Quarter-Turn Eterna Cartridge w/ Spring Check, Handle, Red Index & Screw, RTC
15	012443-40NS	Quarter-Turn Eterna Cartridge w/ Spring Check, RTC
16	001638-45NS	Lever Handle (New Style)
17	001193-19NS	Red Button Index, Press-in

Product Specifications:
4" Centerset Deck Mount Faucet, Quarter-Turn Eterna Cartridges w/ Spring Checks, Lever Handles, Swivel/Rigid Gooseneck, 2.2 GPM Aerator & 1/2" NPSM Male Inlets w/ Coupling Nuts

Product Compliance:
ASME A112.18.1 / CSA B125.1
NSF 61 - Section 9
NSF 372 (Low Lead Content)
ANSI A117.1 (ADA)