



COOKING EQUIPMENT

SERVING THE FOOD INDUSTRY SINCE 1951

COUNTERTOP STAINLESS STEEL GAS GRIDDLE WITH MANUAL CONTROL

Item: 43737
Model: CE-CN-G15M

Item: 43730
Model: CE-CN-G24M

Item: 43731
Model: CE-CN-G36M

Item: 43732
Model: CE-CN-G48M

OMCAN GAS EQUIPMENT SERIES

answers the needs of modern, busy catering establishments for reliable, well-built equipment that offers flexibility, performance, style and value for money. Omcan gas equipment has been designed with safety, ease of operation and performance as paramount. Omcan has a stylish and robust modular design, constructed of high quality brushed stainless steel, large "cool to touch" dials, large heavy-duty adjustable feet and easy to clean and remove accessories.

The Omcan Griddles feature polished steel cooking surface for the best results in grilling. Breakfast, lunch or dinner, these griddles offers flexibility for your menu needs.



Authorized Dealer



LIMITED WARRANTY
PARTS AND LABOR



COOKING EQUIPMENT

COUNTERTOP STAINLESS STEEL GAS GRIDDLE WITH MANUAL CONTROL



COUNTERTOP STAINLESS STEEL GAS GRIDDLES WITH MANUAL CONTROL

With 1 Burner

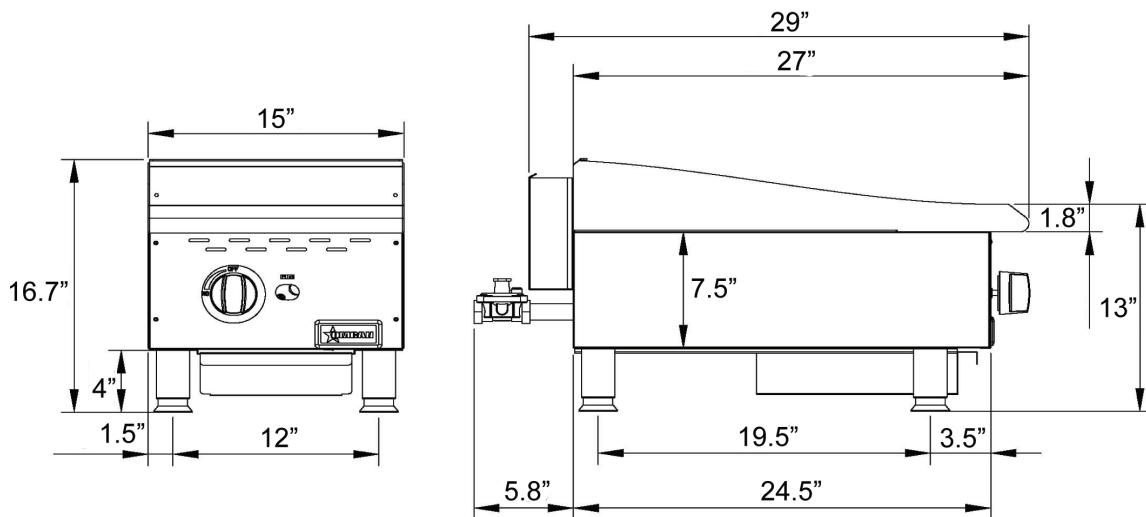


- Stainless steel construction and finish
- 3/4" thick polished steel and cooking surface
- Manually controlled independent cooking zones
- Large and robust dial controls
- Stainless steel burners
- Burner manual valves
- Removable full width waste tray
- Heavy-duty adjustable feet
- 3/4" rear gas connection
- Propane conversion kit (42968) included

TECHNICAL SPECIFICATION

ITEM NUMBER	43737
MODEL	CE-CN-G15M
NUMBER OF BURNERS	1 Burner
B.T.U.	30,000
COOKING AREA (WD)	15" x 20" / 380 x 510 mm
*GAS TYPE	Natural Gas
TEMPERATURE	Manual Control
DIMENSION (WDH)	15" x 32.7" x 16.7" / 380 x 830 x 425 mm
PACKAGING DIMENSIONS (WDH)	17" x 32" x 18.5" / 430 x 820 x 470 mm
WEIGHT	102.5 lbs/ 46.50 kg
PACKAGING WEIGHT	127 lbs/ 57.65 kg

TECHNICAL DRAWING & DIMENSIONS



Gas conversion to be completed by an approved gas field technician

OMCAN INC.

Telephone: 1-800-465-0234
 Fax: (905) 607-0234
 Email: sales@omcan.com
 Website: www.omcan.com



Follow us to keep up to date with the latest news and offers



COOKING EQUIPMENT

COUNTERTOP STAINLESS STEEL GAS GRIDDLE WITH MANUAL CONTROL



COUNTERTOP STAINLESS STEEL GAS GRIDDLES WITH MANUAL CONTROL

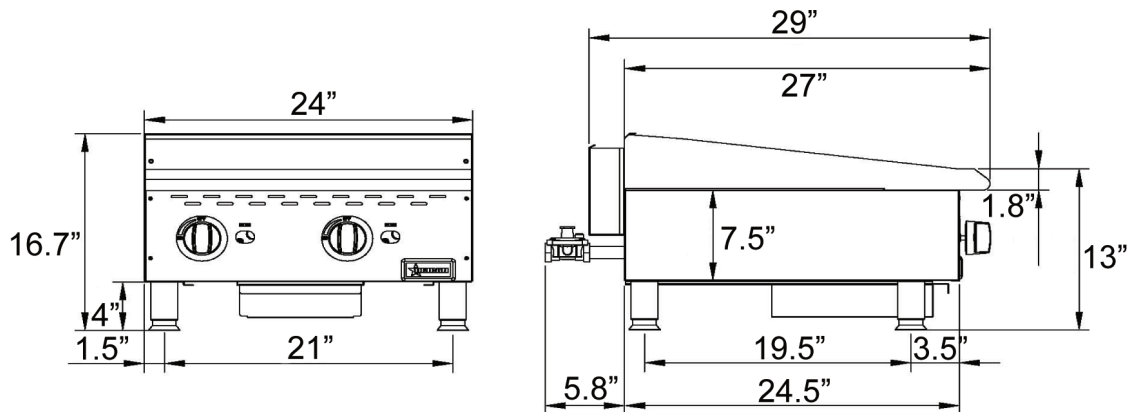
With 2 Burners



- Stainless steel construction and finish
- 3/4" thick polished steel and cooking surface
- Manually controlled independent cooking zones
- Large and robust dial controls
- Stainless steel burners
- Burner manual valves
- Removable full width waste tray
- Heavy-duty adjustable feet
- 3/4" rear gas connection
- Propane conversion kit (42969) included

TECHNICAL SPECIFICATION	
ITEM NUMBER	43730
MODEL	CE-CN-G24M
NUMBER OF BURNERS	2 Burners
B.T.U.	60,000
COOKING AREA (WD)	24" x 20" / 610 x 510 mm
*GAS TYPE	Natural Gas
TEMPERATURE	Manual Control
DIMENSION (WDH)	24" x 32.7" x 16.7" / 610 x 830 x 425 mm
PACKAGING DIMENSIONS (WDH)	26" x 32" x 18.5" / 660 x 820 x 470 mm
WEIGHT	153.6 lbs/ 69.65 kg
PACKAGING WEIGHT	186.6 lbs/ 84.65 kg

TECHNICAL DRAWING & DIMENSIONS



Gas conversion to be completed by an approved gas field technician

OMCAN INC.

Telephone: 1-800-465-0234

Fax: (905) 607-0234

Email: sales@omcan.com

Website: www.omcan.com



Follow us to keep up to date with the latest news and offers



2015.E.O.E

COOKING EQUIPMENT

COUNTERTOP STAINLESS STEEL GAS GRIDDLE WITH MANUAL CONTROL



COUNTERTOP STAINLESS STEEL GAS GRIDDLES WITH MANUAL CONTROL

With 3 Burners

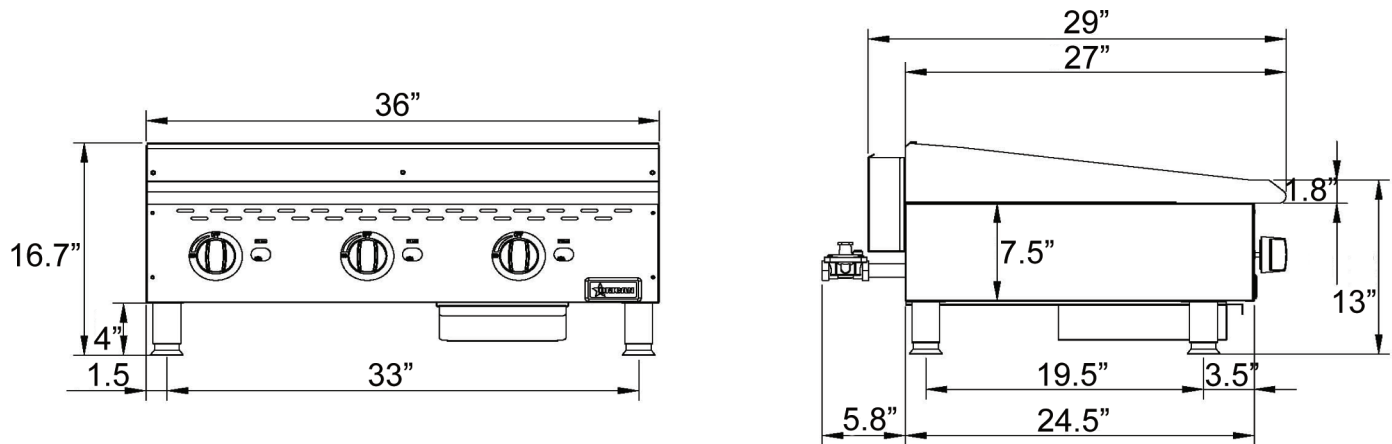


- Stainless steel construction and finish
- 3/4" thick polished steel and cooking surface
- Manually controlled independent cooking zones
- Large and robust dial controls
- Stainless steel burners
- Burner manual valves
- Removable full width waste tray
- Heavy-duty adjustable feet
- 3/4" rear gas connection
- Propane conversion kit (42970) included

TECHNICAL SPECIFICATION

ITEM NUMBER	43731
MODEL	CE-CN-G36M
NUMBER OF BURNERS	3 Burners
B.T.U.	90,000
COOKING AREA (WD)	36" x 20" / 915 x 510 mm
*GAS TYPE	Natural Gas
TEMPERATURE	Manual Control
DIMENSION (WDH)	36" x 32.7" x 16.7" / 915 x 830 x 425 mm
PACKAGING DIMENSIONS (WDH)	38" x 32" x 18.5" / 965 x 820 x 470 mm
WEIGHT	221.6 lbs/ 100.50 kg
PACKAGING WEIGHT	268 lbs/ 121.70 kg

TECHNICAL DRAWING & DIMENSIONS



Gas conversion to be completed by an approved gas field technician

OMCAN INC.

Telephone: 1-800-465-0234
 Fax: (905) 607-0234
 Email: sales@omcan.com
 Website: www.omcan.com



Follow us to keep up to date with the latest news and offers



2015.E.O.E

COOKING EQUIPMENT

COUNTERTOP STAINLESS STEEL GAS GRIDDLE WITH MANUAL CONTROL



COUNTERTOP STAINLESS STEEL GAS GRIDDLES WITH MANUAL CONTROL

With 4 Burners

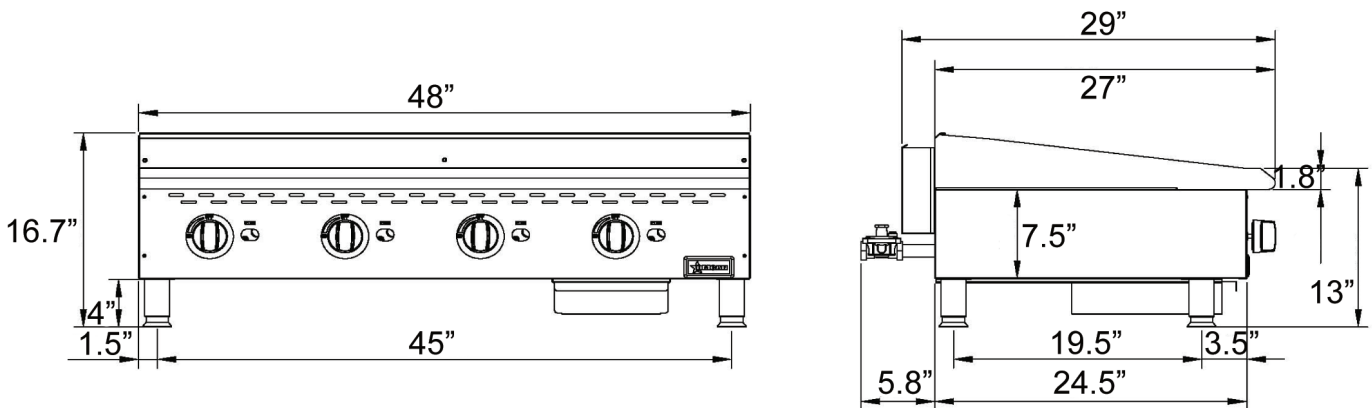


- Stainless steel construction and finish
- 3/4" thick polished steel and cooking surface
- Manually controlled independent cooking zones
- Large and robust dial controls
- Stainless steel burners
- Burner manual valves
- Removable full width waste tray
- Heavy-duty adjustable feet
- 3/4" rear gas connection
- Propane conversion kit (42971) included

TECHNICAL SPECIFICATION

ITEM NUMBER	43732
MODEL	CE-CN-G48M
NUMBER OF BURNERS	4 Burners
B.T.U.	120,000
COOKING AREA (WD)	48" x 20" / 1220 x 510 mm
*GAS TYPE	Natural Gas
TEMPERATURE	Manual Control
DIMENSION (WDH)	48" x 32.7" x 16.7" / 1220 x 830 x 425 mm
PACKAGING DIMENSIONS (WDH)	50" x 32" x 18.5" / 1270 x 820 x 470 mm
WEIGHT	288 lbs/ 130.55 kg
PACKAGING WEIGHT	346.5 lbs/ 157.15 kg

TECHNICAL DRAWING & DIMENSIONS



Gas conversion to be completed by an approved gas field technician

OMCAN INC.

Telephone: 1-800-465-0234
 Fax: (905) 607-0234
 Email: sales@omcan.com
 Website: www.omcan.com



Follow us to keep up to date with the latest news and offers

