



Your Solutions Partner

Specifications

F.O.B. Sedalia, Missouri 65301



TS530-xx

OPTIONS:

- Fluorescent light
- Radiant heat rod w/incandescent light - 120V
- Radiant heat rod w/switch
- Special lengths or heights
- Special finish colors

Agency Listings:



DUKE MANUFACTURING CO.

2305 N. Broadway

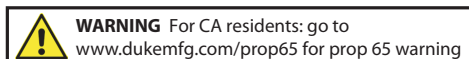
St. Louis, MO 63102

800.735.3853 Toll Free

314.231.5074 Fax

www.dukemfg.com

Specification subject to change



Approval Stamp(s):

PRODUCT INFORMATION:

PROJECT: _____

ITEM: _____

QUANTITY: _____

MODEL: Foodshields - Designer Series - Buffet Style

Fits: Thurmaduke Steamtable, Aeroserv, Thurmaduke Serving Systems

- TS530-32 / Buffet Style - 2-Sided /
- TS530-32-1SN Buffet Style - 1-Sided
- TS530-46 / Buffet Style - 2-Sided /
- TS530-46-1SN Buffet Style - 1-Sided
- TS530-60 / Buffet Style - 2-Sided /
- TS530-60-1SN Buffet Style - 1-Sided
- TS530-74 / Buffet Style - 2-Sided /
- TS530-74-1SN Buffet Style - 1-Sided
- TS530-88 / Buffet Style - 2-Sided /
- TS530-88-1SN Buffet Style - 1-Sided

TOP SHELF:

- All edges flanged down
- 18 gauge stainless steel or paint grip steel
- Choice of (12) powder coat paint colors (must choose one):

ENDS:

- 18 gauge stainless steel or choice of 12 powder coat colors

GUARDS:

- Flip-up 1/4" clear acrylic foodshield
- Self service style
- Clear acrylic enclosures both ends

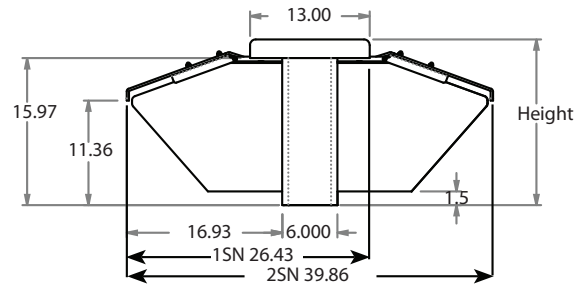
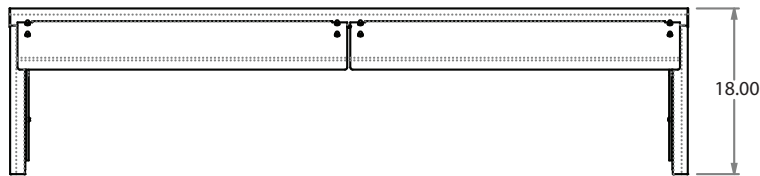
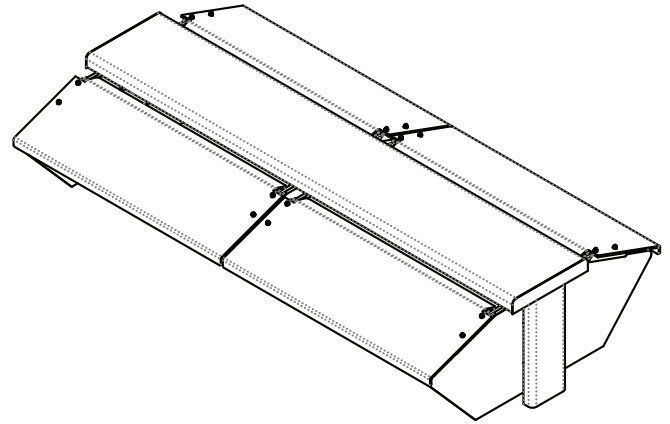
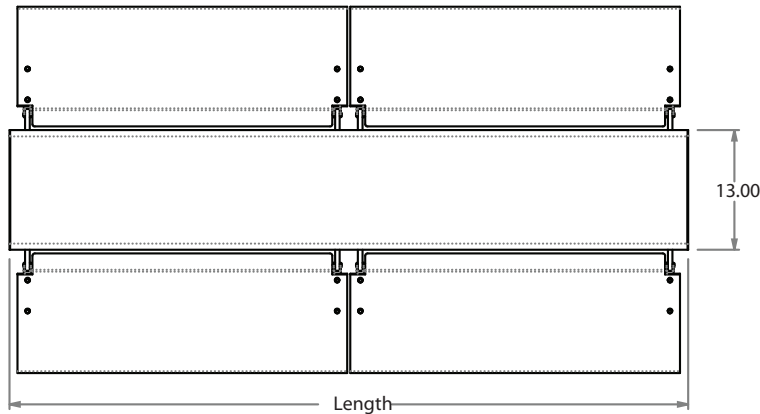
SIZES:

- All units available in following lengths
31-3/4", 45-3/4", 59-3/4", 73-3/4", 87-3/4"

FOODSHIELD - DESIGNER SERIES BUFFET STYLE

A.I.A. File No. 35-C-13

Catalog No. FS-DESIGNER



DIMENSIONS:

Freight Class: 125

Buffet Style - 2-sided /for Single (1SN), w/flip-up acrylic, stainless steel or painted top, painted or stainless end panels 18"height

Model	Length		Height		Width		Weight		Cube ft. Crated	Model	Length		Height		Width		Weight		Cube Ft. Crated
	in	cm	in	cm	in	cm	lbs	kg			in	cm	in	cm	in	cm	lbs	kg	
TS530-32	32	81.3	18	45.7	39.856	101.2	50	22.7	19.3	TS530-32-1SN	32	81.3	18	45.7	26.428	67.1	35	15.9	14.6
TS530-46	46	116.8	18	45.7	39.856	101.2	58	26.4	26.3	TS530-46-1SN	46	116.8	18	45.7	26.428	67.1	42	19.1	19.9
TS530-60	60	152.4	18	45.7	39.856	101.2	78	35.5	33.4	TS530-60-1SN	60	152.4	18	45.7	26.428	67.1	60	27.3	25.3
TS530-74	74	188.0	18	45.7	39.856	101.2	108	49.1	40.5	TS530-74-1SN	74	188.0	18	45.7	26.428	67.1	88	40.0	30.7
TS530-88	88	223.5	18	45.7	39.856	101.2	128	58.2	47.6	TS530-88-1SN	88	223.5	18	45.7	26.428	67.1	118	53.6	36.0

FOODSHIELDS - DESIGNER SERIES



Duke Manufacturing Co.

2305 N. Broadway
St. Louis, MO 63102

Phone: 314-231-1130
Toll Free: 1-800-735-3853
Fax: 314-231-5074

www.dukemfg.com

Printed in U.S.A
© 2020, Duke Manufacturing Co.