



# T&S BRASS AND BRONZE WORKS, INC.

2 Saddleback Cove / P.O. Box 1088  
Travelers Rest, SC 29690

Model No.

**B-0113-ADF12**

Item No.

Travelers Rest, SC: 800-476-4103 • Simi Valley, CA: 800-423-0150 • Fax: 864-834-3518 • www.tsbrass.com

This Space for Architect/Engineer Approval

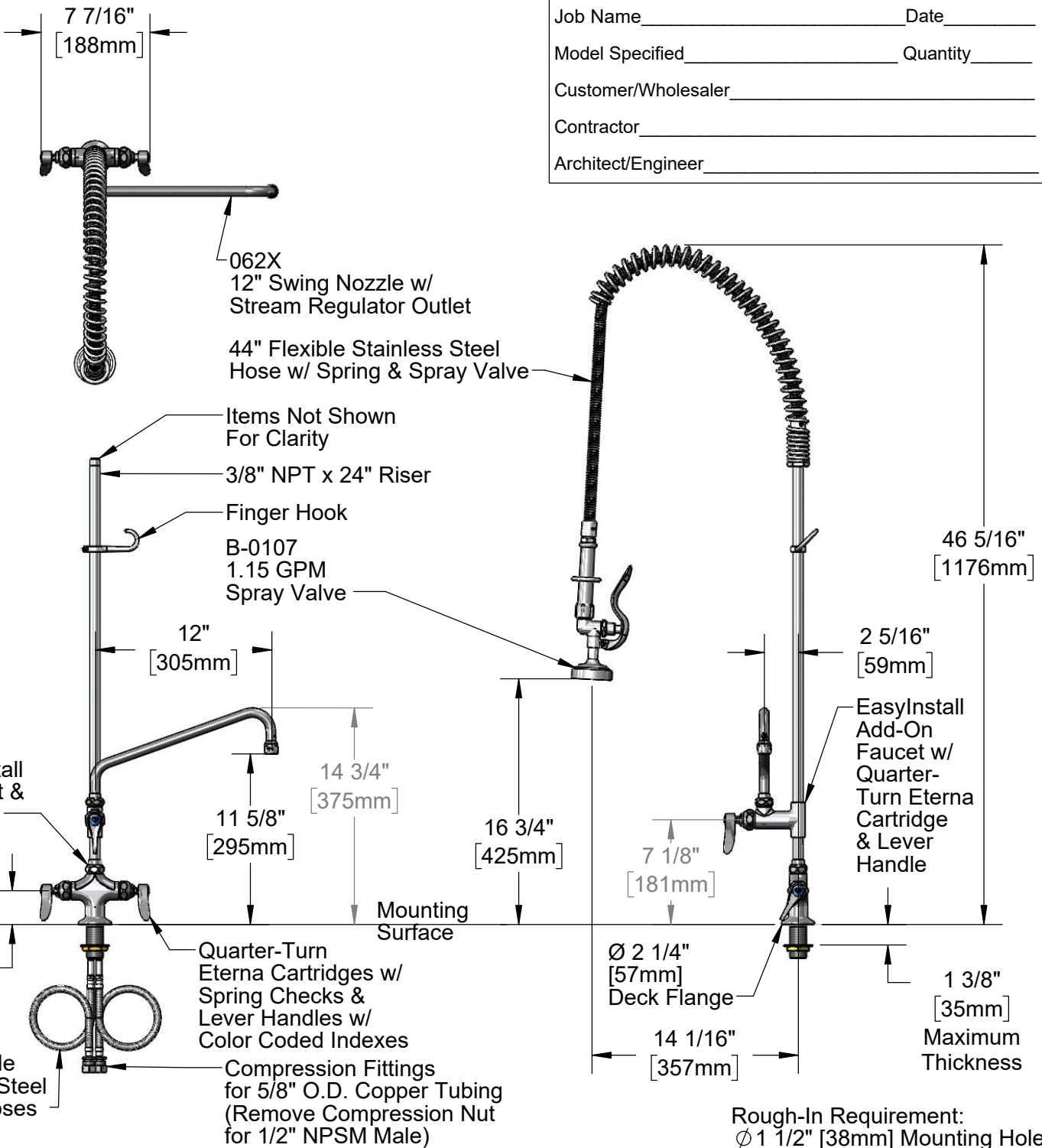
Job Name \_\_\_\_\_ Date \_\_\_\_\_

Model Specified \_\_\_\_\_ Quantity \_\_\_\_\_

Customer/Wholesaler \_\_\_\_\_

Contractor \_\_\_\_\_

Architect/Engineer \_\_\_\_\_



Product Specifications:  
Pre-Rinse Unit: EasyInstall Single Hole Deck Mount Mixing Faucet, Quarter-Turn Eterna Cartridges w/ Spring Checks, Lever Handles, Add-On Faucet, 12" Swing Nozzle, 44" Flexible Stainless Steel Hose, 1.15 GPM Spray Valve & Flexible Stainless Steel Supply Hoses

Product Compliance:  
ASME A112.18.1 / CSA B125.1  
NSF 61 - Section 9  
NSF 372 (Low Lead Content)  
2019 DOE PRSV - Class II



# T&S BRASS AND BRONZE WORKS, INC.

2 Saddleback Cove / P.O. Box 1088  
Travelers Rest, SC 29690

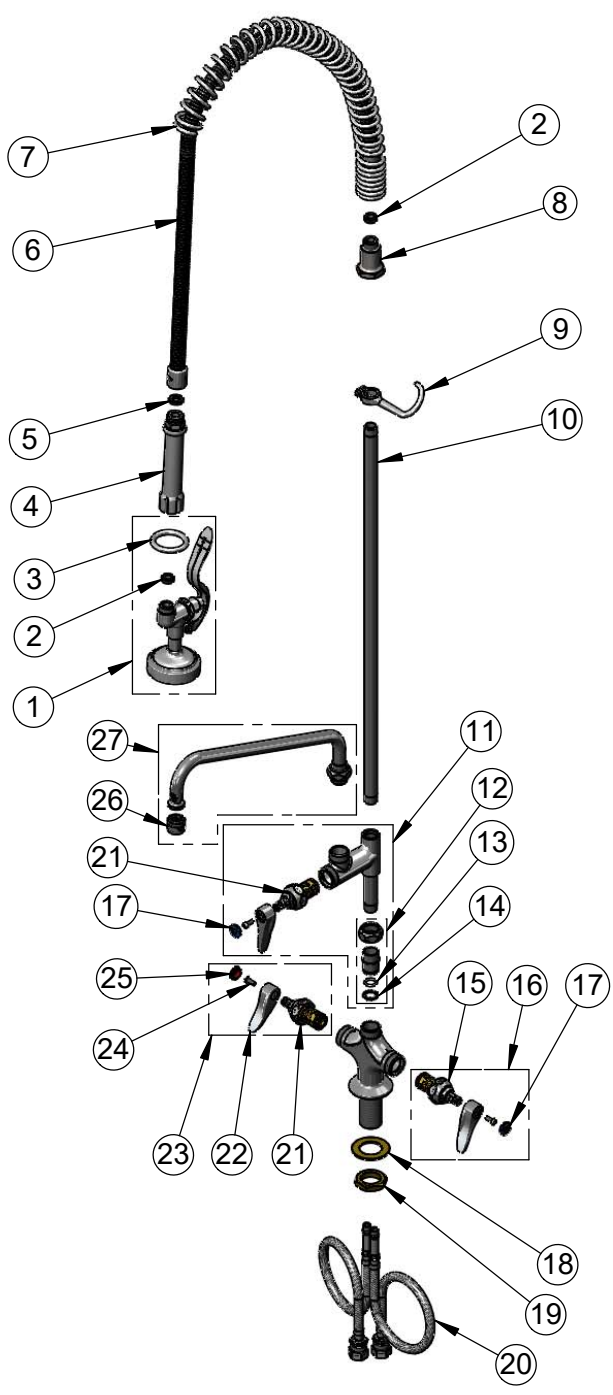
Model No.

**B-0113-ADF12**

Item No.

Travelers Rest, SC: 800-476-4103 • Simi Valley, CA: 800-423-0150 • Fax: 864-834-3518 • www.tsbrass.com

| ITEM NO. | SALES NO.   | DESCRIPTION  |
|----------|-------------|--|
| 1        | B-0107      | 1.15 GPM Spray Valve   |
| 2        | 010476-45   | #27 Washer   |
| 3        | 000907-45   | Spray Valve Hold Down Ring   |
| 4        | 002987-40   | Grip Handle  |
| 5        | 001014-45   | Washer, B-0100 Hose Barrel   |
| 6        | B-0044-H2A  | 44" Flexible Stainless Steel Hose, Less Handle                                 |
| 7        | 000888-45   | EasyInstall Overhead Spring  |
| 8        | 000821-40   | Spring Body  |
| 9        | 004R        | Finger Hook  |
| 10       | 000372-40   | 3/8" NPT x 24" Riser   |
| 11       | B-0155-LNEZ | EasyInstall Add-On Faucet w/ Eterna Cartridge & Lever Handle (Less Nozzle)     |
| 12       | EZ-K        | EasyInstall Kit: Nut, Bushing, O-ring & Lock Washer                            |
| 13       | 001065-45   | O-Ring   |
| 14       | 014200-45   | Star Washer, Anti-Rotation   |
| 15       | 012442-40NS | Quarter-Turn Eterna Cartridge w/ Spring Check, LTC                             |
| 16       | 002711-40NS | Quarter-Turn Eterna Cartridge w/ Spring Check, Handle, Blue Index & Screw, LTC |
| 17       | 018506-19NS | Blue Button Index, Press-in  |
| 18       | 002290-45   | Lock Washer  |
| 19       | 000965-45   | Lock Nut   |
| 20       | 012534-45   | 18" Flexible Supply Hose (2)   |
| 21       | 012443-40NS | Quarter-Turn Eterna Cartridge w/ Spring Check, RTC                             |
| 22       | 001638-45NS | Lever Handle (New Style)   |
| 23       | 002712-40NS | Quarter-Turn Eterna Cartridge w/ Spring Check, Handle, Red Index & Screw, RTC  |
| 24       | 000925-45   | Lab Handle Screw   |
| 25       | 001193-19NS | Red Button Index, Press-in   |
| 26       | B-PT        | Full Flow Stream Regulator, 55/64-27   |
| 27       | 062X        | 12" Swing Nozzle   |



**Product Specifications:**

Pre-Rinse Unit: EasyInstall Single Hole Deck Mount Mixing Faucet, Quarter-Turn Eterna Cartridges w/ Spring Checks, Lever Handles, Add-On Faucet, 12" Swing Nozzle, 44" Flexible Stainless Steel Hose, 1.15 GPM Spray Valve & Flexible Stainless Steel Supply Hoses

**Product Compliance:**

ASME A112.18.1 / CSA B125.1  
NSF 61 - Section 9  
NSF 372 (Low Lead Content)  
2019 DOE PRSV - Class II