



SPEC SHEET

KoolMore 5 in. Heavy-Duty Hamburger Patty Molding Press with Handle.

SKU: CHM-5

FEATURES

- Precision Patty Maker
- Stainless-Steel Machine
- Easy-Pull Pressing Arm
- Easy to Disassemble and Clean
- Disposable Patty Papers



CLOSE UP IMAGES

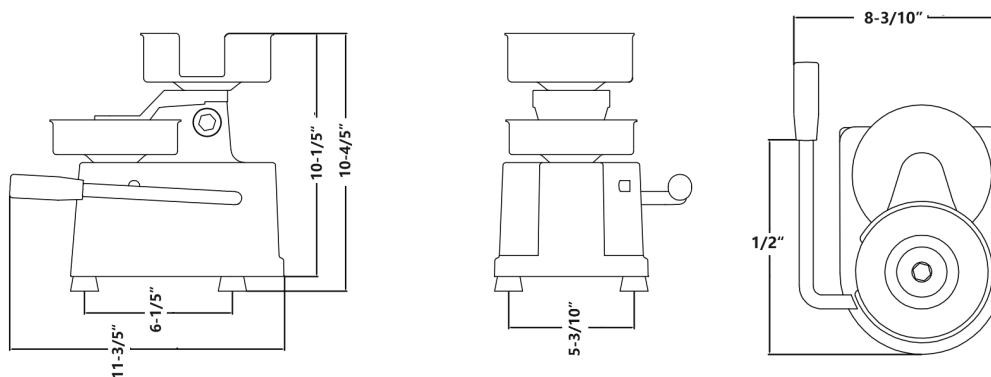


TECHNICAL SPECS

Dimensions

Length	11.42
Width	8.27
Height	10.83
Weight Lbs	12.45
Certifications	ETL Listed for Sanitation

Plan View



CERTIFICATIONS



Intertek



706 Eastern Parkway STE 1G, Brooklyn NY 11213
718-576-6342
info@koolmore.com