

• FLPW48

85-5/8"L x 43"D x 52-3/8"H

### Included

- 8" X 13" Buckets
- Digital fahrenheit thermometer
- Levelers (only)
- Second year parts & labor warranty
- Solid back panel, galvanized

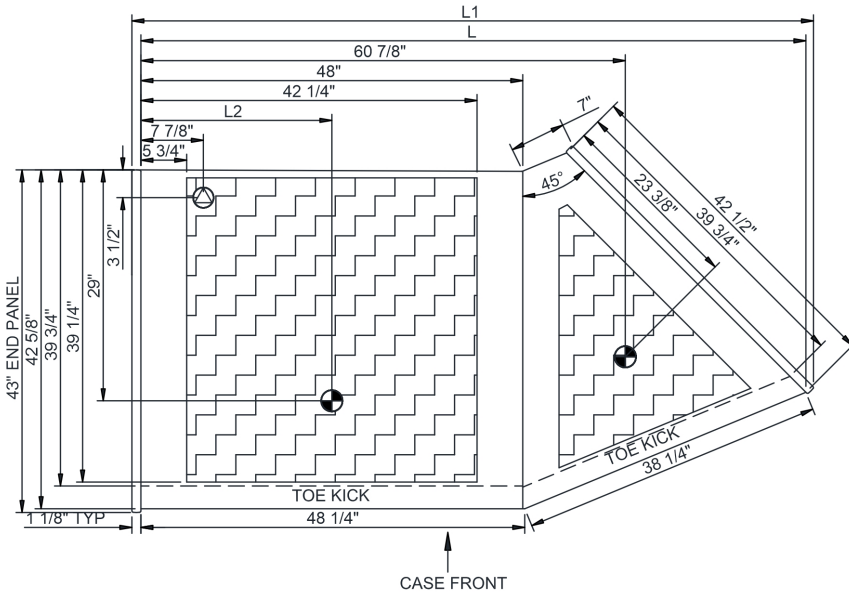


FLPW48

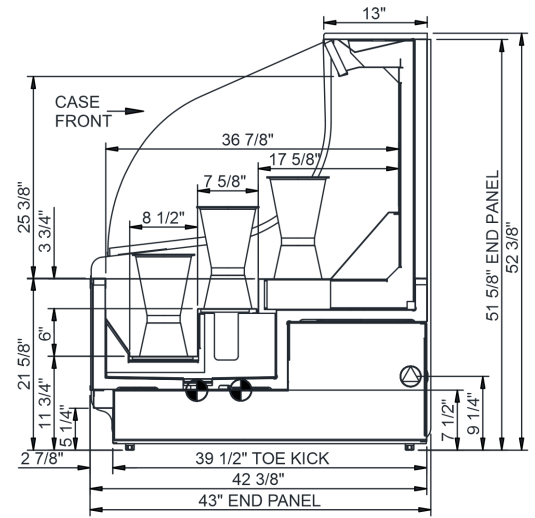
Specify	Standard Features	Additional Options
EXTERIOR COLOR	• Powder coated Silversan Black	• Powder coated (stock/non-stock colors)
INTERIOR COLOR	• Powder coated Silversan Black	
LOWER FRONT PANEL COLOR	• Powder coated Silversan Black	• Powder coated (stock/non-stock colors)
BASE SUPPORT	• Levelers	• Rail system for shims
END PANELS	• Full w/stainless steel mirror interior	• Cutaway w/ glass
SHELVING	• 13"H x 8"Dia Buckets	• 10"H x 9"Dia Buckets • Glass shelves w/ 13"H buckets
REFRIGERATION	• Remote DX refrigeration	
MISCELLANEOUS		• Second year parts & labor warranty
ACCESSORIES		• 2"H & 4"H Risers

<b>Intended Environment:</b> Type I - Designed to operate in ambient conditions of 75°F with 55% relative humidity unless noted otherwise in system information below.		
<b>Zone</b>	<b>Intended Product To Be Displayed</b>	<b>Warmest Avg Prod Temp ° F</b>
1	Floral products	40

**PLAN VIEW**



**SIDE VIEW**



**NOTE: ALL DIMENSIONS APPROXIMATE**

- ELECTRICAL JUNCTION BOX (SUPPLIED WITH 6" LEADS OR POWER CORD).
- LOCATION OF DRAIN TUBE FOR REMOTE REF. ONLY (SUPPLIED WITH 3/4" OR 1 1/2" PVC TUBE).

- REFRIGERATION LINE CONNECTION.
- REMOTE FLOOR SINK & UTILITIES ACCESS AREA.

- SELF-CONTAINED CASE SERVICE ACCESS AREA.
- DRY CASE SERVICE ACCESS AREA.

Model Technical Specifications																
Model	L"	L1"	L2"	System Circuit Volts	Phs	Freq	Amps ***	Watts	Wires	NEMA Plug	SST	Conv. Rack BTUH	Para. Rack BTUH	Est Wt		
FLPW48	83.63	85.63	24.00	Remote (DX)	Circuit #1	110-120	1	60	1.02	79	2+G	Leads Single	20.00	4493	4160	985

\*\*\* Does not include electric defrost on freezer models.

**Regulatory Approvals:**

All Models | Accordance with AHRI Std 1200  
ETL Listed to UL 471  
ETL Listed to CAN/CSA 22.2 No. 120



In Accordance with  
**AHRI Std 1200**

**DOE 2017**  
Energy Efficiency  
Compliant

**Important Notes:**

- 1) 44" Minimum door entry clearance required Without shipping skid for standard depth case.
- 2) 49" Minimum door entry clearance required Without shipping skid for extended depth case.
- 3) Keep unit at least 15' from exterior doors, 10' from overhead HVAC vents, 5' from exterior windows.
- 4) Units must be shimmed during installation to ensure the unit is level and plumb.
- 5) Performance issues (product temperatures, water on floor, etc) caused by adverse conditions are not covered by warranty.

**⚠ WARNING:** This product can expose you to chemicals, including Urethane (Ethyl Carbamate), which are known to the State of California to cause cancer and birth defects or other reproductive harm. For more information go to [www.P65Warnings.ca.gov](http://www.P65Warnings.ca.gov).