



Your Solutions Partner

# Specifications

F.O.B. Sedalia, Missouri 65301



613Q-E3

### OPTIONS:

- Stainless steel interior
- 27" stainless steel angular legs
- Stainless steel back enclosure panel
- Seismic feet
- Field stacking kit
- High Voltage (380/415/440/480)
- Casters
- Extra deep oven racks
- Prison package—tamper proof screws, lexan hinged cover with lockable clasp
- Extended warranty

**Approval Stamp(s):**

### PRODUCT INFORMATION:

PROJECT: \_\_\_\_\_

ITEM: \_\_\_\_\_

QUANTITY: \_\_\_\_\_

MODEL:

### Duke Convection Ovens - "Q" Series Single Deck - Standard Depth - Electric

- **613Q-E3** Single deck, deep depth

### STANDARD FEATURES

- 6 racks/13 rack positions
- Porcelain interior finish
- 50/50 stainless steel independent doors
- Double pane glass both doors
- 27" angular painted/adjustable leg
- 2 speed motor

### OVEN SECTION

- Stainless steel front, sides and top
- 1 1/2" insulation on bottom, sides and back
- 3" insulation on top
- Interior lights

### OVEN CONTROLS

- "V" - Basic snap action thermostat (200°-500°F), 60 minute electric dial timer with continuous sound buzzer, 2-speed fan
- "XX" - Solid state digital time and temperature controls, 12-hour countdown timer, **Cook and Hold** feature, 2-speed fan, Pulse fan capability

### Certifications



Specification subject to change



DUKE MANUFACTURING CO.  
 2305 N. Broadway  
 St. Louis, MO 63102  
 800.735.3853 Toll Free  
 314.231.5074 Fax  
 www.dukemfg.com  
 SS-1076-613Q -E3 Single Deep-Elec

REV D 06/15/2022

DUKE CONVECTION OVENS - "Q" SERIES - SINGLE - DEEP DEPTH - ELECTRIC

Catalog No. DCO-QELEC00

A.I.A. File No. 35-C-13

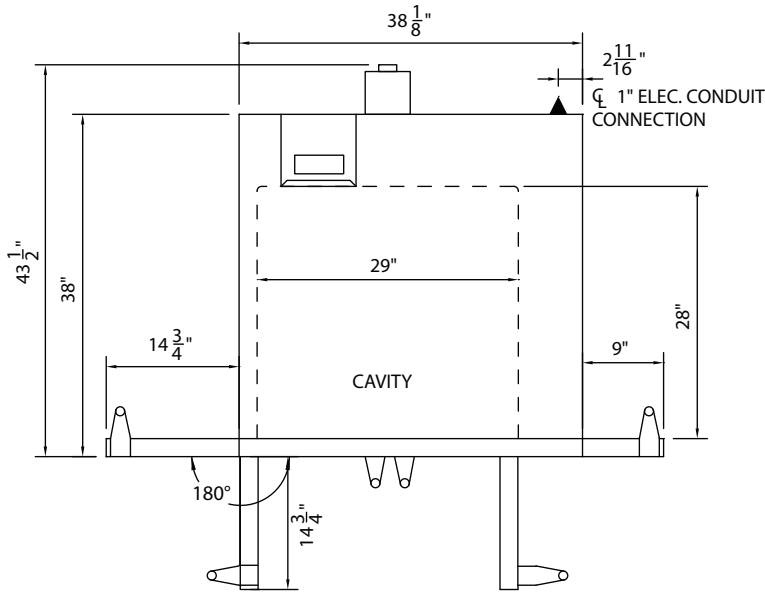
# DUKE CONVECTION OVENS

## "Q" SERIES

SINGLE DECK - ELECTRIC - STANDARD DEPTH

A.I.A. File No. 35-C-13

Catalog No. DCO-QELED

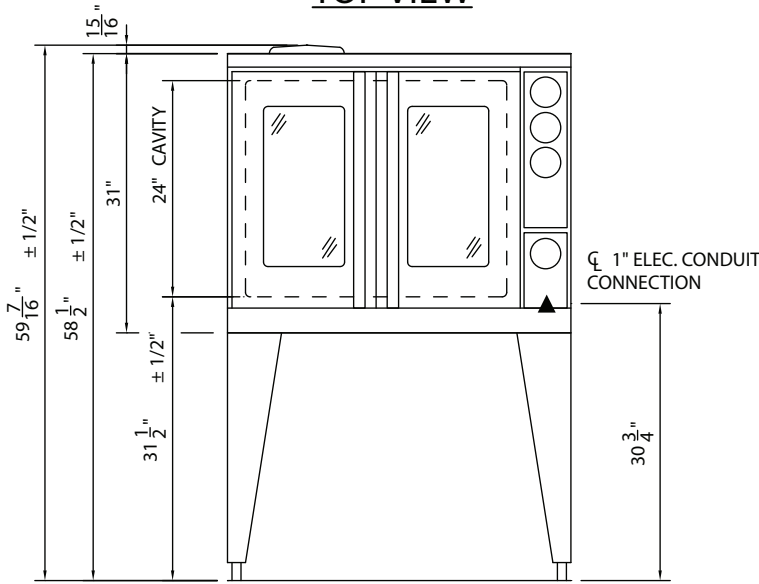


**TOP VIEW**

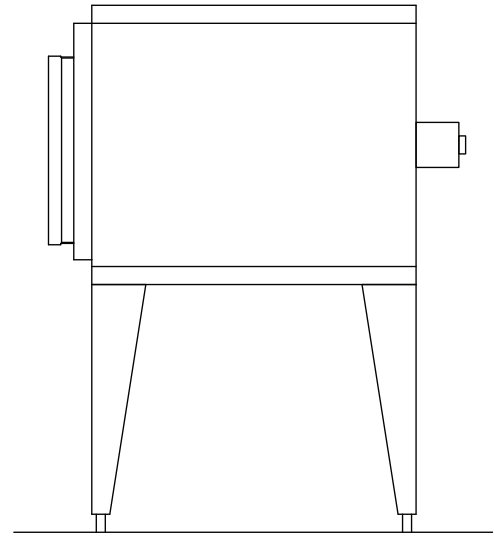
**ELECTRICAL SPECIFICATIONS:**

Model	208 Volt (Amps)	240 Volt (Amps)	480 Volt (Amps)	KW
1 Phase	52.8	45.8	n/a	10.0
3 Phase	30.5	26.5	13.3	10.0

▲ Electronic connection point



**FRONT VIEW**



**RIGHT SIDE VIEW**

**DIMENSIONS:**

**Freight Class: 85**

Model	Height top view		Width		Depth front view		Cube ft. crated	Crated Ship Weight	
	in.	cm	in.	cm	in.	cm		lbs.	kg
613Q-E3	43.5	110.5	38	96.5	60.0	152.4	65.4	505	230.0

DUKE CONVECTION OVENS - "Q" SERIES - SINGLE - DEEP DEPTH - ELECTRIC



**Duke Manufacturing Co.**  
 2305 N. Broadway  
 St. Louis, MO 63102

Phone: 314-231-1130  
 Toll Free: 1-800-735-3853  
 Fax: 314-231-5074

[www.dukemfg.com](http://www.dukemfg.com)