



Project _____

Item # _____

Quantity _____

Glo-Ray® Designer Buffet Warmers

Models: GR2BW-24, -30, -36, -42, -48, -54, -60, -66, -72

Hatco Glo-Ray® Designer Buffet Warmer is designed to safely keep food at optimum serving temperatures.

Combining state-of-the-art design with performance, these buffet warmers place the focus on the product while holding and protecting food. The modern design is perfect for front-of-the-house use, with seven Designer powdercoated colors available to blend into any décor.

Standard features

- Pre-focused infrared top heat directs heat to the outer edges of the holding surface where heat loss is the greatest
- Thermostatically-controlled hardcoated heated base has a temperature range of 80° to 200°F (27°-93°C)
- Widths available from 30.25" - 78.25" (768-1988 mm)
- Unit comes standard with black inset panels
- Features a 6' (1829 mm) cord and plug set
- Shatter-resistant incandescent lights enhance product display while safeguarding food products from bulb breakage
- Sturdy plexi-glass sneeze guards provide a safe environment



GR2BW-30 with accessory food pans



GR2BW-30 in optional Designer color with accessory food pans

Options (available at time of purchase only)

Designer Colors – Clear Anodized Aluminum standard†

- Warm Red Black Gray Granite White Granite
- Navy Blue Hunter Green Antique Copper

Designer Color Inset Panel Colors – Black standard†

- Warm Red Gray Granite White Granite
- Navy Blue Hunter Green Antique Copper

Dark Gray Corner Caps – Black standard†

Two Plexi-Glass Side Enclosures

Infinite Control for top heat only (GR2BW-24 through GR2BW-60 only)

14" (356 mm) Sneeze Guard in lieu of standard 7.5" (191 mm)

Accessories

4" (102 mm) Designer Legs for GR2BW-24 models (standard on GR2BW-30 or larger)

Trivets - stainless steel

- Half-size 10.2"W x 7.6"D (259 x 194 mm)
- Full-size 10.125"W x 18"D x (257 x 457 mm)

Stainless steel food holding pans

- Third-size 12.75"W x 6.9" D x 2.5"H (324 x 175 x 64 mm)
- Half-size 12.75"W x 10.4"D x 2.5"H (324 x 264 x 64 mm)
- Full-size 12.75"W x 20.75"D x 2.5"H (324 x 527 x 64 mm)
- Full-size 12.75"W x 20.75"D x 4"H (324 x 527 x 102 mm)

ChefLED (Bulbs must be rotated down)

- 120V bulb: 3000K Warm halogen 4000K Cool fluorescent
- 230V bulb: 3000K Warm halogen 4000K Cool fluorescent

†Non-standard colors are non-returnable

IFS anti-microbial coatings use naturally-occurring, environmentally sustainable, silver ions to help inhibit the growth of microbes on the powder coated surface. See www.hatcocorp.com/antimicrobial-paint for more information.

For operation, location and safety information, please refer to the Installation and Operating Manual.



HATCO CORPORATION | P.O. Box 340500 Milwaukee, WI 53234-0500 U.S.A. | (800) 558-0607 | (414) 671-6350

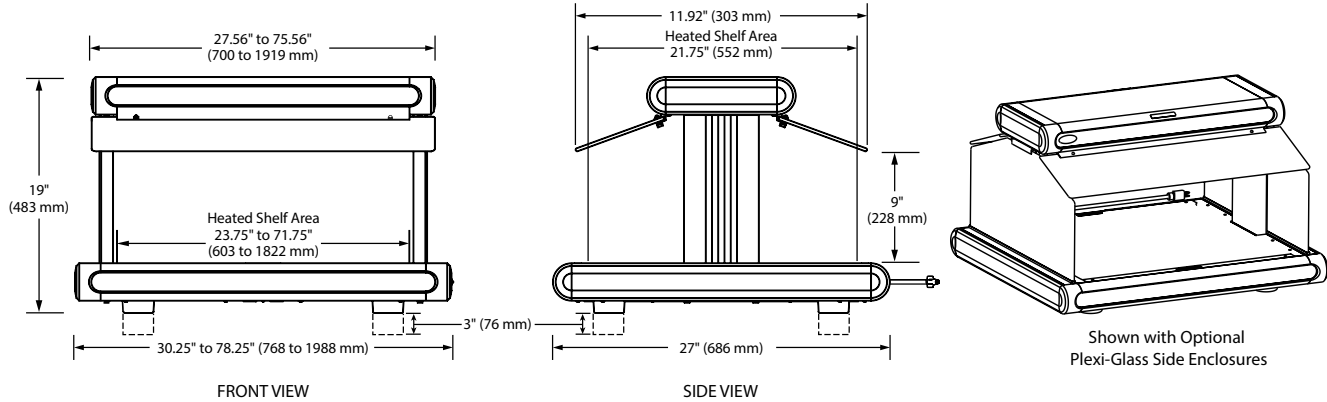
www.hatcocorp.com | support@hatcocorp.com | [Find a Hatco Rep](#) | [Image Library](#) | [Document Library](#) | [Chat](#)



Glo-Ray® Designer Buffet Warmers

Models: GR2BW-24, -30, -36, -42, -48, -54, -60, -66, -72

GR2BW



SPECIFICATIONS Glo-Ray® Designer Buffet Warmers

The shaded areas contain electrical information for International models

Model*	Number of Light Bulbs	Dimensions W x D x H (height includes legs)	Maximum Full Size Pan Capacity 12.75"W x 20.75"D (324 x 527 mm)	Volts	Watts	Amps	Plug Configuration	Ship Weight*
GR2BW-24	2	30.25" x 27" x 19" (768 x 686 x 483 mm) on 1" (25 mm) legs	1 full size pan	100	934	9.3	NEMA 5-15P	76 lbs. (35 kg.)
				120			8.1	
				120/208	970	4.2	NEMA L14-20P	
				120/240				
				220	950	4.3	CEE 7/7 Schuko	
				240	970	4.1	BS-1363	
				220-230 (CE)	950-1038	4.3-4.5	CEE 7/7 Schuko	
230-240 (CE)	891-970	3.9-4.1	BS-1363					
GR2BW-30*	2	36.25" x 27" x 22" (921 x 686 x 559 mm) on 4" (102 mm) legs	2 full size pans	100	1194	11.9	NEMA 5-15P	85 lbs. (39 kg.)
				120			10.3	
				120/208	1230	5.5	NEMA L14-20P	
				120/240				
				220	1210	5.5	CEE 7/7 Schuko	
				240	1230	5.1	BS-1363	
				220-230 (CE)	1210-1322	5.5-5.7	CEE 7/7 Schuko	
230-240 (CE)	1129-1230	4.9-5.1	BS-1363					
GR2BW-36*	2	42.25" x 27" x 22" (1073 x 686 x 559 mm) on 4" (102 mm) legs	2 full size pans	100	1434	14.3	NEMA 5-15P	97 lbs. (44 kg.)
				120			12.3	
				120/208	1470	6.7	NEMA L14-20P	
				120/240				
				220	1450	6.6	CEE 7/7 Schuko	
				240	1470	6.1	BS-1363	
				220-230 (CE)	1450-1585	6.6-6.9	CEE 7/7 Schuko	
230-240 (CE)	1350-1470	5.9-6.1	BS-1363					
GR2BW-42*	4	48.25" x 27" x 22" (1226 x 686 x 559 mm) on 4" (102 mm) legs	3 full size pans	120	1790	14.9	NEMA 5-15P ▲	110 lbs. (50 kg.)
				120/208			7.9	
				120/240	1750	7.9	CEE 7/7 Schuko	
				220				
				240	1790	7.5	BS-1363	
				220-230 (CE)	1750-1913	7.9-8.3	CEE 7/7 Schuko	
				230-240 (CE)	1644-1790	7.1-7.5	BS-1363	

* When no color is specified, color inset panels and corner caps will be Black.
 * Shipping weight includes packaging.

♦ NSF requires units over 36" (914 mm) in width or weighing more than 80 lbs. (36 kg) be either sealed to or raised on the installation surface with 4" (102 mm) legs (included).
 ▲ NEMA 5-20P for Canada.



Glo-Ray® Designer Buffet Warmers

Models: GR2BW-24, -30, -36, -42, -48, -54, -60, -66, -72

SPECIFICATIONS Glo-Ray® Designer Buffet Warmers

The shaded areas contain electrical information for International models

Model*	Number of Bulbs	Dimensions W x D x H (height includes legs)	Maximum Full Size Pan Capacity 12.75"W x 20.75"D (324 x 527 mm)	Volts	Watts	Amps	Plug Configuration	Ship Weight*
GR2BW-48♦	4	54.25" x 27" x 22" (1378 x 686 x 559 mm) on 4" (102 mm) legs	3 full size pans	120	2040	17.0	NEMA 5-20P §	125 lbs. (57 kg.)
				120/208		9.2	NEMA L14-20P	
				120/240		9.1	CEE 7/7 Schuko	
				220	2000	8.5	BS-1363	
				240	2040	8.5	BS-1363	
				220-230 (CE)	2000-2186	9.1-9.5	CEE 7/7 Schuko	
				230-240 (CE)	1873-2040	8.1-8.5	BS-1363	
GR2BW-54♦	4	60.25" x 27" x 22" (1530 x 686 x 559 mm) on 4" (102 mm) legs	4 full size pans	120	2290	19.1	NEMA 5-20P §	130 lbs. (59 kg.)
				120/208		10.4	NEMA L14-20P	
				120/240		10.2	CEE 7/7 Schuko	
				220	2250	9.5	BS-1363	
				240	2290	9.5	BS-1363	
				220-230 (CE)	2250-2459	10.2-10.7	CEE 7/7 Schuko	
				230-240 (CE)	2103-2290	9.1-9.5	BS-1363	
GR2BW-60♦	6	66.25" x 27" x 22" (1683 x 686 x 559 mm) on 4" (102 mm) legs	4 full size pans	120/208	2660	11.7	NEMA L14-20P	154 lbs. (70 kg.)
				120/240				
				220	2600	11.8	CEE 7/7 Schuko	
				240	2660	11.1	BS-1363	
				220-230 (CE)	2600-2850	11.8-12.4	CEE 7/7 Schuko	
230-240 (CE)	2443-2660	10.6-11.1	BS-1363					
GR2BW-66♦	6	72.25" x 27" x 22" (1835 x 686 x 559 mm) on 4" (102 mm) legs	5 full size pans	120/208	2920	13.0	NEMA L14-20P	169 lbs. (77 kg.)
				120/240				
				220	2860	13.0	CEE 7/7 Schuko	
				240	2920	12.2	BS-1363	
				220-230 (CE)	2860-3126	13.0-13.6	CEE 7/7 Schuko	
230-240 (CE)	2681-2920	11.7-12.2	BS-1363					
GR2BW-72♦	6	78.25" x 27" x 22" (1988 x 686 x 559 mm) on 4" (102 mm) legs	5 full size pans	120/208	3185	14.4	NEMA L14-20P	186 lbs. (84 kg.)
				120/240				
				220	3125	14.2	CEE 7/7 Schuko	
				240	3185	13.3	Cord without Plug	
				220-230 (CE)	3125-3416	14.2-14.8	CEE 7/7 Schuko	
230-240 (CE)	2925-3185	12.7-13.3	Cord without Plug					

* When no color is specified, color inset panels and corner caps will be Black.
* Shipping weight includes packaging.

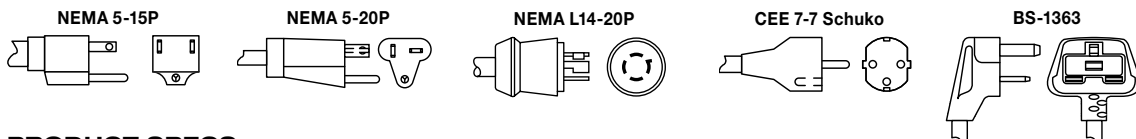
♦ NSF requires units over 36" (914 mm) in width or weighing more than 80 lbs. (36 kg) be either sealed to, or raised on the installation surface with 4" (102 mm) legs (included).
§ Not available in Canada.

CORD LOCATION

Base end plate, same side as switch.

PLUG CONFIGURATIONS

Please refer to electrical specification chart.



PRODUCT SPECS

Glo-Ray® Designer Buffet Warmers

The infrared Designer Buffet Warmer shall be a Glo-Ray® Model ... as manufactured by the Hatco Corporation, Milwaukee, WI 53234 U.S.A.

The warmer shall be rated at ... watts, ... volts, and be ... inches (millimeters) in overall width. It shall consist of a thermostatically-controlled heated base, sneeze guard(s), Black anti-microbial Designer Color inset panels and incandescent display lights. The infrared heating element shall be tubular metal sheathed and the warmer shall have a cord with plug attached.

Options include anti-microbial Designer Color unit and Inset Panels, Dark Gray Corner Caps, Plexi-Glass Side Enclosures, Infinite Control, and 14" Sneeze Guards.

Accessories shall include 4" (102 mm) adjustable legs, stainless steel food pans, stainless steel trivets and Chef LED Bulbs.

Warranty consists of 24/7 parts and service assistance (U.S. and Canada only).

HATCO CORPORATION | P.O. Box 340500 Milwaukee, WI 53234-0500 U.S.A. | (800) 558-0607 | (414) 671-6350

www.hatcocorp.com | support@hatcocorp.com | [Find a Hatco Rep](#) | [Image Library](#) | [Document Library](#) | [Chat](#)