



JOB:
ITEM:
QTY:



UNIVERSAL PLATTER RACK – RAC LINE

APPLICATION:

The ideal transport/storage rack for the meat department. These racks can handle platter sizes from 10"x30" to 12"x30". The oval tubing shelf design allows for easy on, easy off access.

MATERIAL:

Framework is constructed out of 1"x1"x.070" wall tubing. Shelves are constructed out of 1/2"x1 1/4" oval tubing.

CASTERS:

These racks come equipped with four 5" stem type swivel casters.

GUARANTEE:

These racks carry a **Lifetime Guarantee** against rust and corrosion and also carry a **One-Year Guarantee** against workmanship and material defects.

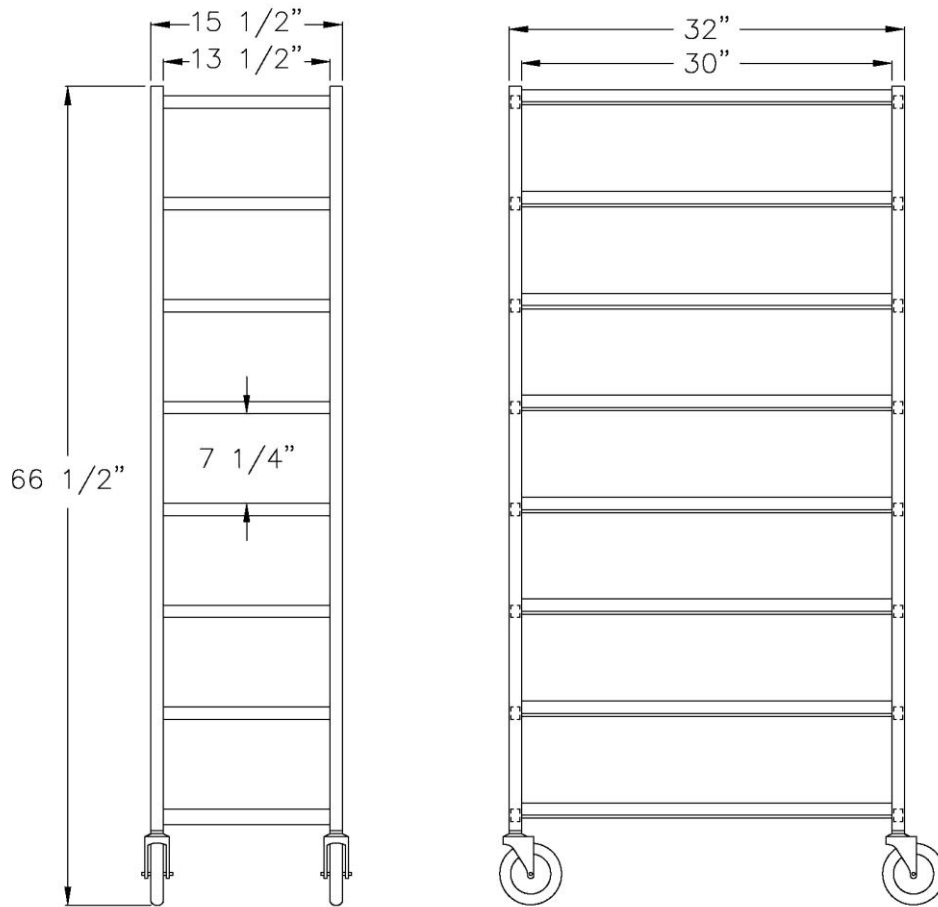


Model #1355M



Phone:800-255-0104
Fax: 877-877-7687
www.newageindustrial.com
sales@newageindustrial.com

New Age Industrial reserves the right to modify or make changes at any time without notice to materials and specifications.



Model #1355M

Model No.	Size-W	Size-H	Size-D	No. Shelves	Shelf Spacing
6354	15 1/2"	42"	32"	5	7 1/4"
1355M	15 1/2"	67"	32"	8	7 1/4"



Phone: 800-255-0104
 Fax: 877-877-7687
www.newageindustrial.com
sales@newageindustrial.com

New Age Industrial reserves the right to modify or make changes at any time without notice to materials and specifications.