



COOKING EQUIPMENT

SERVING THE FOOD INDUSTRY SINCE 1951

24-INCH STAINLESS STEEL PIZZA OVEN

Item: 44308 CE-CN-0016



WARRANTY
PARTS AND LABOR



NEMA
5 - 20P
125VAC / 20 AMP



Authorized Dealer

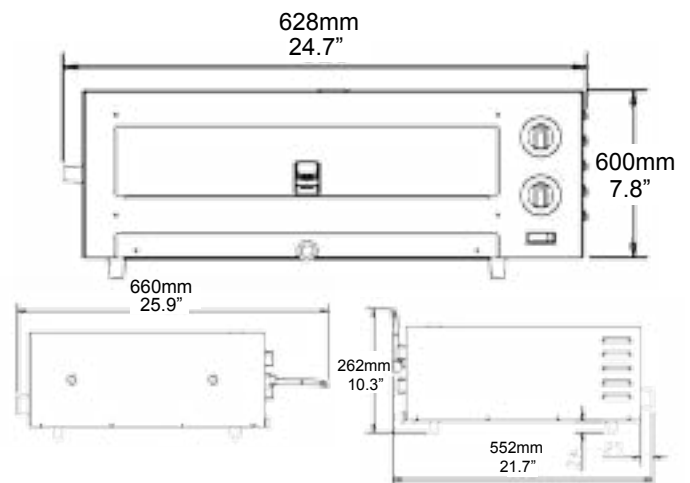


Features:

- Full insulated double wall body
- All stainless steel construction
- Fits a maximum 16-inch pizza
- Fast cooking within 30 minutes ready bell
- Top/bottom heating with stainless steel heating elements
- Rechargeable multi-protection thermostat
- Power and ready indication lights

TECHNICAL SPECIFICATION

| | |
|----------------------|-------------------------------------------|
| ITEM NUMBER | 44308 |
| MODEL | CE-CN-0016 |
| TEMPERATURE RANGE | 65°C - 299°C / 150°F-570°F |
| TIMER | 30 Minutes |
| POWER | 1700 W |
| PIZZA DIAMETER | 16" |
| ELECTRICAL | 120V / 60Hz / 1Ph |
| WIRE RACK DIMENSIONS | 17.1" x 18.3" x / 435 x 465mm |
| DIMENSIONS (WDH) | 24.7" x 21.7" x 10.3" / 628 x 552 x 262mm |
| GROSS DIMENSIONS | 27" x 23.6" x 11.4" / 690 x 600 x 290 |
| NET WEIGHT | 11.16kg |
| WEIGHT | 24.6 lbs. / 11.16 kg. |



OMCAN INC.

Telephone: 1-800-465-0234
 Fax: (905) 607-0234
 Email: sales@omcan.com
 Website: www.omcan.com



Follow us to keep up to date with the latest news and offers

