

# Fusion

Ambient Inline Packaging Counter

**Structural Concepts®**

DELIVERING FRESH. ALWAYS.™

- **MD1272SO** 14-1/4"L x 29-1/4"D x 72-1/2"H
- **MD1872SO** 20-1/4"L x 29-1/4"D x 72-1/2"H
- **MD2272SO** 24-1/4"L x 29-1/4"D x 72-1/2"H

## Included

- LED top & shelf lights
- One year parts & labor warranty
- Shelving removable and adjustable on 1" centers
- Stainless steel rear exterior
- Tissue box holder
- Trash chute with pull out front door

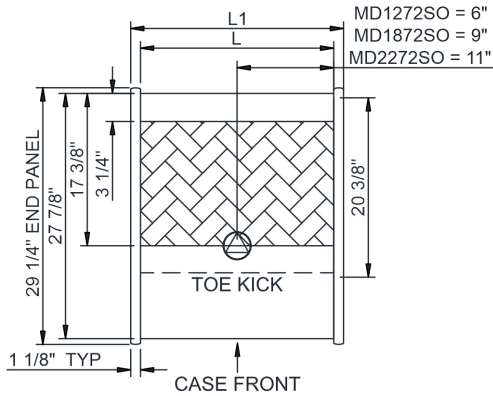


MD2272SO

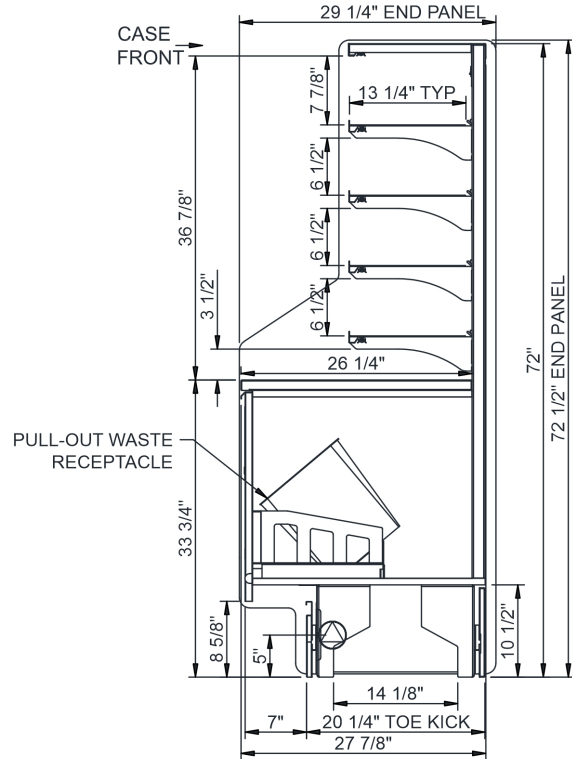
Specify	Standard Features	Additional Options
<b>EXTERIOR COLOR</b>	• Powder coated Silversan Black	• Powder coated (stock/non-stock colors)
<b>INTERIOR COLOR</b>	• Powder coated Silversan Black	• Stainless steel
<b>LOWER FRONT PANEL COLOR</b>	• Powder coated Silversan Black	• Powder coated (stock/non-stock colors) • Stainless steel
<b>BASE</b>	• Base w/storage for packaging supplies	
<b>BASE SUPPORT</b>	• Rail system for shims	
<b>BUMPER FRONT</b>	• 1" Boston bumper (specify color)	• 1" Stainless steel plate rail bumper
<b>END PANELS</b>	• Full w/stainless steel mirror interior	• None (specify per line-up)
<b>SHELVING</b>	• (4) Lighted solid shelves	
<b>LIGHTS</b>	• LED 3500K w/ frosted lens	
<b>ELECTRICAL CONNECTION</b>	• Leads	
<b>MISCELLANEOUS</b>		• Second year parts & labor warranty

<b>Intended Environment:</b> Type I - Designed to operate in ambient conditions of 75°F with 55% relative humidity unless noted otherwise in system information below.	
<b>Zone</b>	<b>Intended Product To Be Displayed</b>
1	Warmest Avg Prod Temp ° F

### PLAN VIEW



### SIDE VIEW



NOTE: ALL DIMENSIONS APPROXIMATE

- ELECTRICAL JUNCTION BOX (SUPPLIED WITH 6\"/>
- LOCATION OF DRAIN TUBE FOR REMOTE REF. ONLY (SUPPLIED WITH 3/4\"/>

- REFRIGERATION LINE CONNECTION.
- REMOTE FLOOR SINK & UTILITIES ACCESS AREA.

- SELF-CONTAINED CASE SERVICE ACCESS AREA.
- DRY CASE SERVICE ACCESS AREA.

Model Technical Specifications																
Model	L"	L1"	L2"	System Circuit Volts		Phs	Freq	Amps ***	Watts	Wires	NEMA Plug	SST	Conv. Rack BTUH	Para. Rack BTUH	Est Wt	
MD1272SO	12.00	14.25	.00	Ambient/Lights (N/A)	Circuit #1	110-120	1	60	0.70	6	2+G	Leads Single	N/A	N/A	N/A	300
MD1872SO	18.00	20.25	.00	Ambient/Lights (N/A)	Circuit #1	110-120	1	60	0.70	10	2+G	Leads Single	N/A	N/A	N/A	400
MD2272SO	22.00	24.25	.00	Ambient/Lights (N/A)	Circuit #1	110-120	1	60	0.70	13	2+G	Leads Single	N/A	N/A	N/A	500

\*\*\* Does not include electric defrost on freezer models.

#### Regulatory Approvals:

All Models ETL Listed to UL 65  
ETL Sanitation to NSF/ANSI 2



#### Important Notes:

- ELECTRICAL NOTE: If GFCI is required, a GFCI breaker MUST be used in lieu of a GFCI receptacle.
- ⚠ WARNING:** This product can expose you to chemicals, including Urethane (Ethyl Carbamate), which are known to the State of California to cause cancer and birth defects or other reproductive harm. For more information go to [www.P65Warnings.ca.gov](http://www.P65Warnings.ca.gov).