

WORLD'S BEST
EVOLUTION™
BOILERLESS STEAMER



EVOLUTION GAS PARTS MANUAL

CONTACT INFORMATION

800.480.0415 - PARTS

260.493.8914 - PARTS FAX

service@accutemp.net - PARTS EMAIL

www.accutemp.net - WEB SITE

SP8015-1012

DESCRIPTION	PAGE
HISTORY	1
STEAMER MODEL STRING	2
STEAMER BOM MODULE	3
COMMON COMPONENTS	4-8
GAS TRAIN ASSEMBLY	9
GAS BLOWER ASSEMBLY	10
GAS BURNER ASSEMBLY	11
GAS VOLTAGE MODULE	12
DOOR MODULE CONFIGURATION	13
DOOR ASSEMBLY	14
INNER DOOR ASSEMBLY	15
WIRE HARNESS ASSEMBLY	16

HISTORY

CURRENT REVISION	DATE	PRIOR REVISION	DATE	CHANGE
1012	12/14/10	N/A	N/A	Initial release of manual

STEAMER MODEL STRING

SP8015-1012

EVOLUTION GAS PARTS MANUAL

PAGE 2

MODEL STRING DIGIT:

BASE MODEL		SUPPLY VOLTAGE			PHASE / FREQUENCY		CONTROL SERIES		ENERGY INPUT (WATT)		TIMER CONFIGURATION	THERMOSTAT CONFIGURATION	DOOR CONFIGURATION	LEG CONFIGURATION	HDWR CONFIGURATION
E	6	2	0	8	3	E	0	8	0	0	0	2	0	0	
1	2	3	4	5	6	7	8	9	10	11	12	13	14	15	

BASE MODEL

- Ⓐ A6 = Evolution, 6 Pan ESPEK
- S3 = Steam-N-Hold, 3 Pan
- S6 = Steam-N-Hold, 6 Pan
- Ⓜ E3 = Evolution, 3 Pan
- Ⓜ E6 = Evolution, 6 Pan
- Ⓝ N3 = Natural Gas Evolution 3 Pan
- Ⓝ N6 = Natural Gas Evolution 6 Pan
- Ⓝ P3 = Propane Gas Evolution 3 Pan
- Ⓝ P6 = Propane Gas Evolution 6 Pan

SUPPLY VOLTAGE

- Ⓝ 120 = 120V (Gas Only)
- 208 = 208V
- 230 = 230V (1 Phase Only)
- 240 = 240V
- Ⓝ 380 = 380V (Except Gas)
- Ⓝ 400 = 400V (Except Gas)
- Ⓝ 415 = 415V (Except Gas)
- Ⓝ 440 = 440V (Except Gas)
- Ⓝ 480 = 480V (Except Gas)

PHASE / FREQUENCY

- 1 = 1 Phase / 50/60 Hz.
- 3 = 3 Phase / 50/60 Hz.
- 5 = 3 Phase / 50/60 Hz. / 4 wire + GND

CONTROL SERIES

- Ⓝ D = Connectionless (Except Flush Mount)
- Ⓝ E = Auto-Fill/Drain
- Ⓝ F = CE Connectionless (Except Flush Mount)
- Ⓝ G = CE Auto-Fill/Drain

ENERGY INPUT

- Ⓝ 060 = 6 KW or 60,000 BTUH
- Ⓜ 070 = 7 KW
- 074 = 7.4 KW
- 080 = 8 KW
- 090 = 9 KW
- 100 = 10 KW
- Ⓜ 110 = 11 KW
- 120 = 12 KW
- 130 = 13 KW
- 140 = 14 KW
- Ⓜ 150 = 15 KW
- 160 = 16 KW
- Ⓜ 170 = 17 KW

TIMER CONFIGURATION

- 0 = None (Electronic Control)
- 3 = 90 Minute Timer (S Base Model only)
- 4 = 180 Minute Timer (S Base Model only)
- 5 = 20 Minute Timer (S Base Model only)

HDWR CONFIGURATION [Ⓜ]

- 0 = Standard
- 1 = Tamper-Proof
- Ⓜ 2 = Standard HDWR, Military Markings (See Drawing AT1T-3840)

LEG CONFIGURATION [Ⓜ]

- 0 = Drain Pan Rails
- Ⓝ 1 = Flush Mount (Gas Only)
- 2 = 4" Legs w/Flanged Feet
- Ⓜ 3 = 4" Legs w/Flanged Feet and ESPEK Lift Kit
- 5 = 4" Legs w/Bullet Feet

DOOR CONFIGURATION [Ⓜ]

- 2 = Right-Hand Hinge
- 3 = Left-Hand Hinge
- 4 = Right-Hand Hinge + Hold Open Door
- 5 = Left-Hand Hinge + Hold Open Door
- 6 = Right-Hand Hinge + Crack Open
- 7 = Left-Hand Hinge + Crack Open
- 8 = Right-Hand Hinge + Hold Open Door + Crack Open
- 9 = Left-Hand Hinge + Hold Open Door + Crack Open

THERMOSTAT CONFIGURATION [Ⓜ]

- 0 = External Thermostat
- 1 = Internal Thermostat, 200°F / 93°C Setting (S Base Model only)
- 2 = Internal Thermostat, 190°F / 88°C Setting (S Base Model only)
- 3 = Internal Thermostat, 185°F / 85°C Setting (S Base Model only)
- 4 = Internal Thermostat, 180°F / 82°C Setting (S Base Model only)
- 5 = Internal Thermostat, 175°F / 79°C Setting (S Base Model only)
- 6 = Internal Thermostat, 170°F / 77°C Setting (S Base Model only)

ACUTEMP STEAMER MODEL STRING



STEAMER MODEL STRING NUMBER CONFIGURATION

STEAMER MODULE BOM

NOTES:

1. SHEET 2 SHOWS COMPONENT AND MODULE ASSEMBLY ORIENTATIONS.

AT1A-3710 MODULAR BOM FOR 6 PAN STEAMERS

To build up a complete 6 pan steamer assembly BOM, begin with the desired steamer model number, created from the Steamer Model String Number Configuration (AT1T-2611), and follow steps 1 through 5.

Example: N61201E06030200

STEP 1. MODULE, VOLTAGE BTUH GAS TYPE

Using model string digits 1 through 10, locate the generic model number in the chart and find the corresponding Module, Voltage Wattage Phase (Digits 2-10).

Example:
Generic Model No. = N61201E060XXXX
Voltage Wattage Phase Module No. = AT1A-3711-1

DIGITS 1-10 GENERIC MODEL NO.	MODULE VOLTAGE BTUH GAS TYPE	MODEL NO. DIGITS 1-10	DATA TAG INFORMATION							MANIFOLD PRESS IN./SQ.
			VOLTAGE	AMPS	HERTZ	PHASE	BTUH	GAS TYPE		
N61201X060XXXX	AT1A-3711-1	N61201X060	120	1	50/60	1	60,000	NATURAL	5	
P61201X060XXXX	AT1A-3711-2	P61201X060	120	1	50/60	1	60,000	PROPANE	10	
N62401X060XXXX	AT1A-3711-3	N62401X060	240	1/2	50/60	1	60,000	NATURAL	5	
P62401X060XXXX	AT1A-3711-4	P62401X060	240	1/2	50/60	1	60,000	PROPANE	10	

STEP 2. MODULE, COMMON COMPONENTS

Add the Module, Common Components derived from the model string digit 7 and digit 15.

Examples:
(N61201E06030200)
E,0 = AT1A-3712-2

DIGIT 7,15	COMMON COMPONENTS MODULE	MODULE DESCRIPTION
D,0	AT1A-3712-1	CONNECTIONLESS
E,0	AT1A-3712-2	AUTO-FILL
D,1	AT1A-3712-3	CONNECTIONLESS + TAMPER-PROOF
E,1	AT1A-3712-4	AUTO-FILL + DRAIN + TAMPER-PROOF

STEP 3. MODULE, DOOR CONFIGURATION

Add the Module, Door Configuration derived from model string digit 13 and digit 15.

Example:
(N61201E06030200)
2 = AT1A-3600-1

DIGIT 13,15	MODULE DOOR CONFIGURATION	MODULE DESCRIPTION & ASSEMBLY ORIENTATION
2,0	AT1A-3600-1	RH STD DOOR + STD STRIKER PLT
3,0	AT1A-3600-1	LH STD DOOR + STD STRIKER PLT
2,1	AT1A-3600-2	RH TAMPER-PROOF DOOR + STD STRIKER PLT
3,1	AT1A-3600-2	LH TAMPER-PROOF DOOR + STD STRIKER PLT
4,0	AT1A-3600-3	RH HOLD OPEN DOOR + STD STRIKER PLT
5,0	AT1A-3600-3	LH HOLD OPEN DOOR + STD STRIKER PLT
6,0	AT1A-3600-4	RH STD DOOR + CRACK OPEN
7,0	AT1A-3600-4	LH STD DOOR + CRACK OPEN
8,0	AT1A-3600-5	RH HOLD OPEN DOOR + CRACK OPEN
9,0	AT1A-3600-5	LH HOLD OPEN DOOR + CRACK OPEN
6,1	AT1A-3600-6	RH TAMPER-PROOF DOOR + CRACK OPEN
7,1	AT1A-3600-6	LH TAMPER-PROOF DOOR + CRACK OPEN

STEP 4. MODULE, LEG CONFIGURATION

Add the Module, Leg Configuration derived from model string digit 14 and digit 15 for modification of a standard model steamer.

Example:
(N61201E06030200)
0 = AT1A-3500-1

DIGIT 14,15	MODULE CONFIGURATION	MODULE DESCRIPTION
0,0	AT1A-3500-1	DRAIN PAN RAILS
0,1	AT1A-3500-2	DRAIN PAN RAILS + TAMPER-PROOF SCREWS
1,0	NONE	FLUSH MOUNT
1,1	NONE	FLUSH MOUNT + TAMPER-PROOF SCREWS
2,0	AT1A-3500-3	4" LEGS + FLANGED FEET
2,1	AT1A-3500-4	4" LEGS + FLANGED FEET + TAMPER-PROOF SCREWS
5,0	AT1A-3500-5	4" LEGS + BULLET FEET
5,1	AT1A-3500-6	4" LEGS + BULLET FEET + TAMPER-PROOF SCREWS

EXAMPLE RESULT:

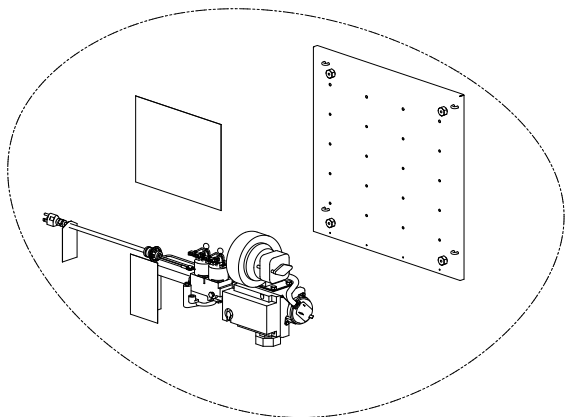
N61201E06030200 is made from parts and modules AT1A-3711-1 + AT1A-3712-2 + AT1A-3600-1 + AT1A-3500-1

STEAMER MODULE BOM

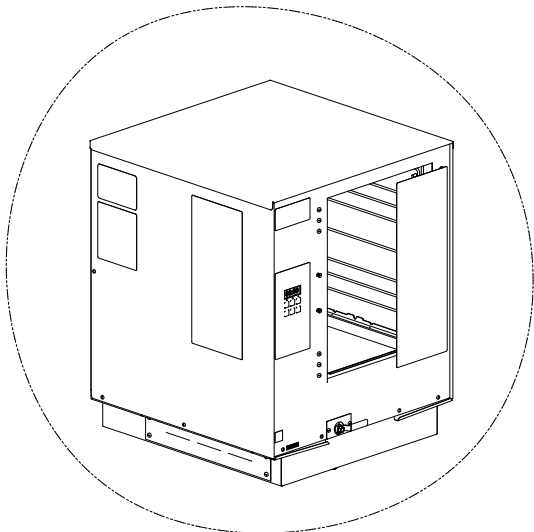
SP8015-1012

EVOLUTION GAS PARTS MANUAL

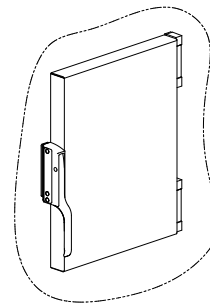
PAGE 4



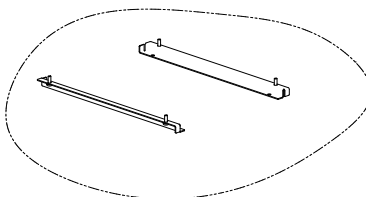
AT1A-3711
MODULE, VOLTAGE BTUH GAS TYPE



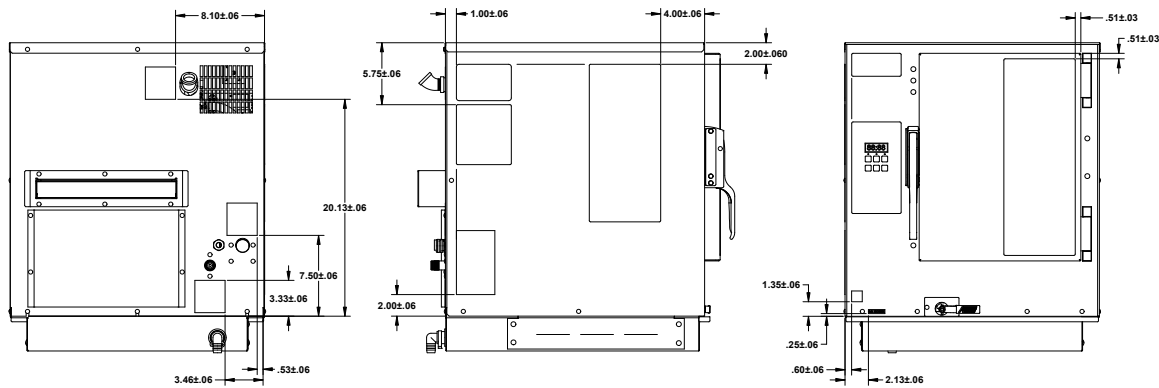
AT1A-3712
MODULE, COMMON COMPONENTS



AT1A-3600
MODULE, DOOR CONFIGURATION



AT1A-3500
MODULE, LEG CONFIGURATION



LOCATION FOR OVERLAYS

STEAMER MODULE BOM

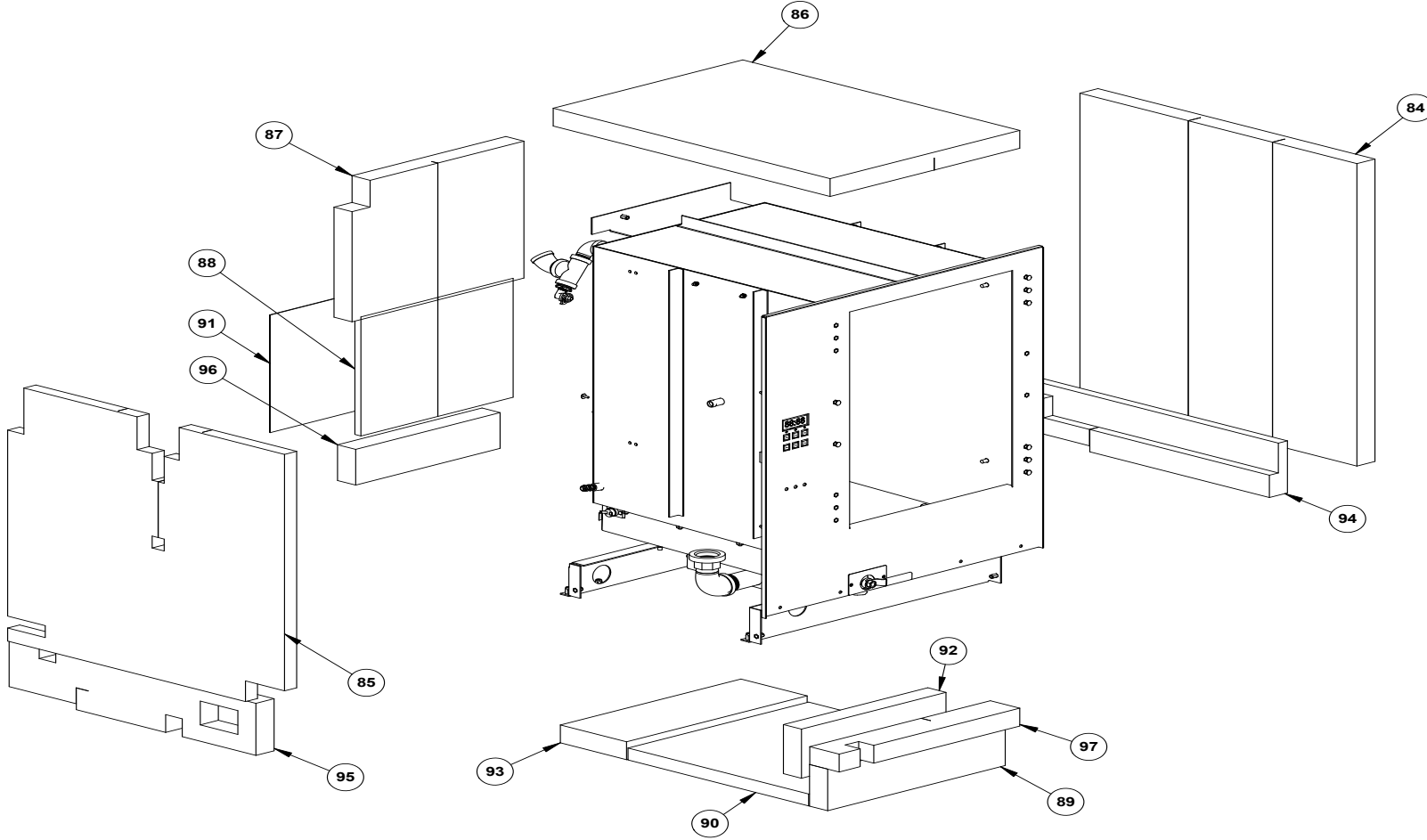
EVOLUTION GAS COMMON COMPONENTS ITEM LIST

1	-	1	-	70	AT0P-3498-1	WASHER, GARDEN HOSE
1	-	1	-	69	AT0P-3497-1	CAP, 3/4" GARDEN HOSE
1	1	1	1	68	AT1L-3801-1	SUPPLEMENTAL DATA TAG
1	1	1	1	67	AT1L-3665-3	LABEL, GAS INLET CONNECTION
1	1	1	1	66	AT1L-3665-2	LABEL, STEAM EXHAUST VENT
1	-	1	-	65	AT1L-3665-1	LABEL, WATER BACKFLOW
1	1	1	1	64	AT1L-3369-1	LABEL, SERIAL NUMBER
1	1	1	1	63	AT0L-3682-1	DECAL, ENERGY STAR
1	1	1	1	62	AT1L-3608-1	OVERLAY, STEAMER CONTROL PANEL
3	1	1	1	61	AT0L-3659-1	OVERLAY, ACCUTEMP LOGO
1	1	1	1	60	AT1L-3658-2	OVERLAY, STEAMER CLEANING INSTRUCTIONS
1	1	1	1	59	AT1L-3658-1	OVERLAY, STEAMER OPERATING INSTRUCTIONS
2	2	2	2	58	AT1A-3601-1	WIRE RACK ASSEMBLY
1	-	1	-	57	AT0A-3519-3	REED SWITCH WIRING HARNESS
-	1	-	1	56	AT0H-3643-2	PLUG, DOME 1.50 DIA
1	1	1	1	55	AT0H-3643-1	PLUG, DOME 1.25 DIA
1	-	1	-	54	AT0A-2736-9	MOV- TERMINALS ASSEMBLY
1	-	1	-	53	AT1M-3510-1	BRACKET, WATER CONTROL VALVE
6	-	6	-	52	AT0P-2714-3	HOSE CLAMP 3/4" ID
2	2	2	2	51	AT0P-2714-5	HOSE CLAMP 1/2" ID
1	1	1	1	50	AT0P-2714-1	HOSE CLAMP 1/4" ID
1	1	1	1	49	AT0P-3613-1	BUSHING, 1/2 NPT X 1/4NPT HEX
1	1	1	1	48	AT0P-3614-1	TEE, BULLHEAD 1/2 X 3/4 X 1/2 NPT
1	-	1	-	47	AT0P-3481-1	ELBOW, 90° NPT TO BEADED HOSE BARB
1	1	1	1	46	AT0P-3616-1	ELBOW, 90° HOSE BARB 1/2 X 1/4
1	-	1	-	45	AT0P-3488-1	ELBOW, 90° HOSE BARB 3/4 X 3/4
1	1	1	1	44	AT0P-2628-1	ELBOW, 90° FITTING 1/4" NPTM TO 1/4" HOSE BARB
1	1	1	1	43	AT0P-3811-1	ELBOW, 45° STREET 3/4 NPT
1	1	1	1	42	AT0P-3615-1	ELBOW, 90° STREET 1/2 NPT
1	1	1	1	41	AT0P-3833-63122	SILICONE HOSE, 1/2"ID X 12.5" LG
2	-	1	-	40	AT0P-3477-83210	SILICONE HOSE
1	-	1	-	39	AT0P-3477-83022	SILICONE HOSE
-	1	-	1	38	AT1P-2555-32242	SILICONE HOSE 1/4 ID 1/8 WALL 24.5 LONG
1	-	1	-	37	AT1P-2555-32200	SILICONE HOSE 1/4 ID 1/8 WALL 20.0 LONG
1	1	1	1	36	AT1P-2555-32011	SILICONE HOSE 1/4" ID X 1.25" LG
1	-	1	-	35	AT0P-3504-40060	TUBING, PVDF, 1/4" OD x 6" LONG
1	-	1	-	34	AT0P-3477-83040	SILICONE HOSE
1	-	1	-	33	AT0P-3233-1	FLOAT, ROUND
1	-	1	-	32	AT1M-3797-1	DRIP PAN
-	2	-	2	32	AT1M-2573-3	DRIP EDGE
1	1	1	1	31	AT0A-3660-1	SENSOR MAGNETIC PROXIMITY ASSEMBLY
1	1	1	1	30	AT1M-3684-1	PLATE, HEAT TRANSFER MACHINE
1	1	1	1	29	AT0E-3617-2	SWITCH, AIR PRESSURE
1	1	1	1	28	AT1M-3775-1	BRACKET, PIPE MOUNTING
1	1	1	1	27	AT0F-3776-1	U-BOLT
3	-	3	-	26	AT0H-2576-3	GROMMET, 1½" NYLON
3	3	3	3	25	AT0E-1800-2	INDICATOR LAMP RED LED 28V
1	1	1	1	24	AT1A-3663-1	ENCLOSURE, STEAM COLLECTOR ASSEMBLY
1	1	1	1	23	AT1E-2653-4	OVERTEMP SWITCH
1	1	1	1	22	AT1P-2239-1	BALL VALVE
1	1	1	1	21	AT0E-3625-1	CONTROLLER, QUANTEM SERIES 130
1	1	1	1	20	AT1M-3607-1	BRACKET, INDICATOR LAMP
1	1	1	1	19	AT1A-3746-2	COMPONENT BRACKET ASSEMBLY
1	1	1	1	18	AT1A-3746-1	COMPONENT BRACKET ASSEMBLY
2	2	2	2	17	AT1I-3771-4	GASKET, BURNER SIDE
2	2	2	2	16	AT1I-3771-3	GASKET, BURNER FRONT
1	1	1	1	15	AT1A-3748-1	BURNER BOX ASSEMBLY
1	1	1	1	14	AT1M-3348-1	COVER, STEAMER DRAIN
1	1	1	1	13	AT1M-3770-1	HEATSINK, OVERTEMP SWITCH
1	1	1	1	12	AT1M-3774-1	PANEL SHIELD REAR FLUE
1	1	1	1	11	AT1M-3773-1	BEZEL REAR FLUE
1	1	1	1	10	AT1A-3816-1	BRACKET REAR SUPPORT ASSEMBLY
1	1	1	1	9	AT1A-3753-1	FLUE WELDMENT
1	1	1	1	8	AT1A-3742-2	BRACKET, REAR SUPPORT ASSEMBLY
1	1	1	1	7	AT1A-3742-1	BRACKET, FRONT SUPPORT ASSEMBLY
				6		
1	1	1	1	5	AT1A-3757-1	PANEL BOTTOM ASSEMBLY
2	2	2	2	4	AT1M-3587-1	PANEL, SIDE
1	1	1	1	3	AT1A-3629-1	ASSEMBLY, TOP PANEL
1	1	1	1	2	AT1M-3588-5	PANEL, BACK
1	1	1	1	1	AT1A-3573-03	CHAMBER WELD ASSEMBLY
AT1A-3712-4	AT1A-3712-3	AT1A-3712-2	AT1A-3712-1	ITEM	PART NUMBER	DESCRIPTION

EVOLUTION GAS COMMON COMPONENTS ITEM LIST

3	3	3	3	130	AT0P-2714-7	HOSE CLAMP .500+ O.D. HOSE
1	1	1	1	129	AT0E-2500-2	TIMER RELAY
1	1	1	1	128	AT0E-2500-1	TIMER RELAY
1	1	1	1	127	AT1M-3815-1	PLATE, REAR FLUE COVER
8	8	-	-	126	AT0F-3480-41080	SCREW, #10-24 x 1" DRL SPAN FLT HD MACH
-	-	8	8	126	AT0F-2061-41080	SCREW, #10-24 x 1" FLAT HD MACHINE
1	1	1	1	125	AT0L-2799-1	OVERLAY, WARNING, GAS FIRED GRIDDLE
1	-	1	-	124	AT0H-3643-3	PLUG, DOME .687 DIA
1	1	1	1	123	AT0L-2802-1	OVERLAY, NOTICE, MOBILE APPLIANCE
1	1	1	1	122	AT0E-3626-1	TEMPERATURE SENSOR, RTD
1	1	1	1	121	AT1A-3714	STEAMER WIRING HARNESS
AR	AR	AR	AR	120	AT0H-3102-1	PIPE THREAD SEALANT
AR	AR	AR	AR	119	AT0H-3412-1	WAKEFIELD 120 THERMAL JOINT COMPOUND
AR	AR	AR	AR	118	AT0H-3065-3	THREAD LOCKER 248
27	27	27	27	117	AT0F-1052-51002	WASHER 1/4 TYPE B PLAIN ZINC PLATED
30	30	30	30	116	AT0F-2666-51002	WASHER, 1/4 ZINC PLATED EXTERNAL TOOTH LOCK
5	5	5	5	115	AT0F-2666-40000	WASHER, #10 INTERNAL TOOTH LOCK
12	11	12	11	114	AT0F-2666-21006	WASHER, #6 EXTERNAL TOOTH LOCK
-	2	-	2	113	AT0F-3405-2	WASHER, ROUND FLAT
2	2	2	2	112	AT0F-2666-10006	WASHER, #4 INTERNAL TOOTH LOCK
30	30	30	30	111	AT0F-2778-51002	NUT, 1/4-20UNC-2B ZINC PLATED HEX MACHINE SCREW
1	1	1	1	110	AT0F-2778-41001	NUT, #10-24UNC-2B SS HEX MACHINE SCREW
21	21	21	21	109	AT0F-1017-41002	NUT, #10-24UNC HEX SERRATED
12	11	12	11	108	AT0F-3621-1	NUT, #6-32UNC-2B UNDERSIZE MACHINE SCREW HEX
6	6	6	6	107	AT0F-2691-21002	NUT, #6-32 NYLOC
2	2	2	2	106	AT0F-2778-11002	NUT, #4-40UNC-2B ZINC PLATED HEX MACHINE SCREW
13	13	-	-	105	AT0F-3448-41036	SCREW, #10-24x3/8" DRL SPAN PAN HD MACH
-	-	13	13	105	AT0F-1046-41030	SCREW, #10-24 x 3/8 PHLP TRUSS HEAD
2	-	2	-	104	AT0F-3740-31035	SCREW, #8-32 TYPE 23 X 3/8 PHLP PAN HD
25	25	-	-	103	AT0F-2451-32036	SCREW, #8 TYPE AB X 3/8 DRL SPAN PAN HD
-	-	25	25	103	AT0F-2777-31030	SCREW, #8 TYPE AB X 3/8 TRUSS HD
10	6	-	-	102	AT0F-3448-31036	SCREW, #8-32x3/8" DRL SPAN PAN HD MACH
-	-	10	6	102	AT0F-1046-31030	SCREW, #8-32 x 3/8 PHLP TRUSS HEAD
2	2	2	2	101	AT0F-2755-21030	SCREW, #6-32UNC x 3/8 PHILIPS ROUND HEAD MACHINE
-	1	-	1	100	AT0P-2841-2	HEX HEAD PLUG CORED
-	-	-	1	99	AT0P-3798-1	PIPE, 1/2" NPT BRASS
1	1	1	1	98	AT1A-3387-3	LOOSE PIECES, STEAMER
1	1	1	1	97	AT0I-3799-6	INSULATION THERMAL CERAMIC BOTTOM FRONT
1	1	1	1	96	AT0I-3799-5	INSULATION THERMAL CERAMIC REAR BOTTOM
1	1	1	1	95	AT0I-3799-4	INSULATION THERMAL CERAMIC LEFT SIDE
1	1	1	1	94	AT0I-3799-3	INSULATION THERMAL CERAMIC RIGHT SIDE
1	1	1	1	93	AT0I-3799-2	INSULATION THERMAL CERAMIC BOTTOM BACK
1	1	1	1	92	AT0I-3799-1	INSULATION THERMAL CERAMIC BACK FRONT BRKT
1	1	1	1	91	AT1I-3771-5	INSULATION CERAMIC FIBER PAPER REAR FLUE BACK
1	1	1	1	90	AT1I-2866-37	INSULATION, BOTTOM MIDDLE
1	1	1	1	89	AT1I-2866-36	INSULATION, BOTTOM FRONT
1	1	1	1	88	AT1I-2866-35	INSULATION, REAR BOTTOM FRONT
1	1	1	1	87	AT1I-2866-34	INSULATION, REAR TOP
1	1	1	1	86	AT1I-2866-33	INSULATION, TOP
1	1	1	1	85	AT1I-2866-32	INSULATION, LEFT SIDE WALLS
1	1	1	1	84	AT1I-2866-23	INSULATION, RIGHT SIDE
-	1	-	1	83	AT0P-3613-2	BUSHING, 3/8 NPT X 1/4NPT HEX
1	1	1	1	82	AT0P-1456-3	FITTING FEMALE 3/8 NPT x 1/4 BARB
1	-	1	-	81	AT0P-2618-4	FITTING, 3/8" NPT TO 3/4" HOSE BARB
1	-	1	-	80	AT0P-2987-3	BARBED TEE FITTING, 3/4 X 3/4 X 3/4
7	7	7	7	79	AT0H-3623-1	SPACER, ROUND CLEAR HOLE
2	2	2	2	78	AT0H-3623-2	SPACER, ROUND CLEAR HOLE
1	-	1	-	77	AT0P-3495-2	MALE CONNECTOR, 1/4" TUBE TO 1/8" NPTM
2	2	2	2	76	AT1E-2652-1	PROBE, WATER SENSOR
1	-	1	-	75	AT0P-3518-1	MALE ELBOW, 1/4" TUBE TO 1/4" NPTM
1	-	1	-	74	AT0P-3509-2	SOLENOID VALVE, 1/4"-24VAC
1	-	1	-	73	AT0P-3512-12000	NIPPLE, CLOSE, BRASS-1/4" NPT
1	-	1	-	72	AT0P-3430-1	FITTING, GARDEN HOSE TO NTPF
AT1A-3712-4	AT1A-3712-3	AT1A-3712-2	AT1A-3712-1	ITEM	PART NUMBER	DESCRIPTION

EVOLUTION GAS COMMON COMPONENTS



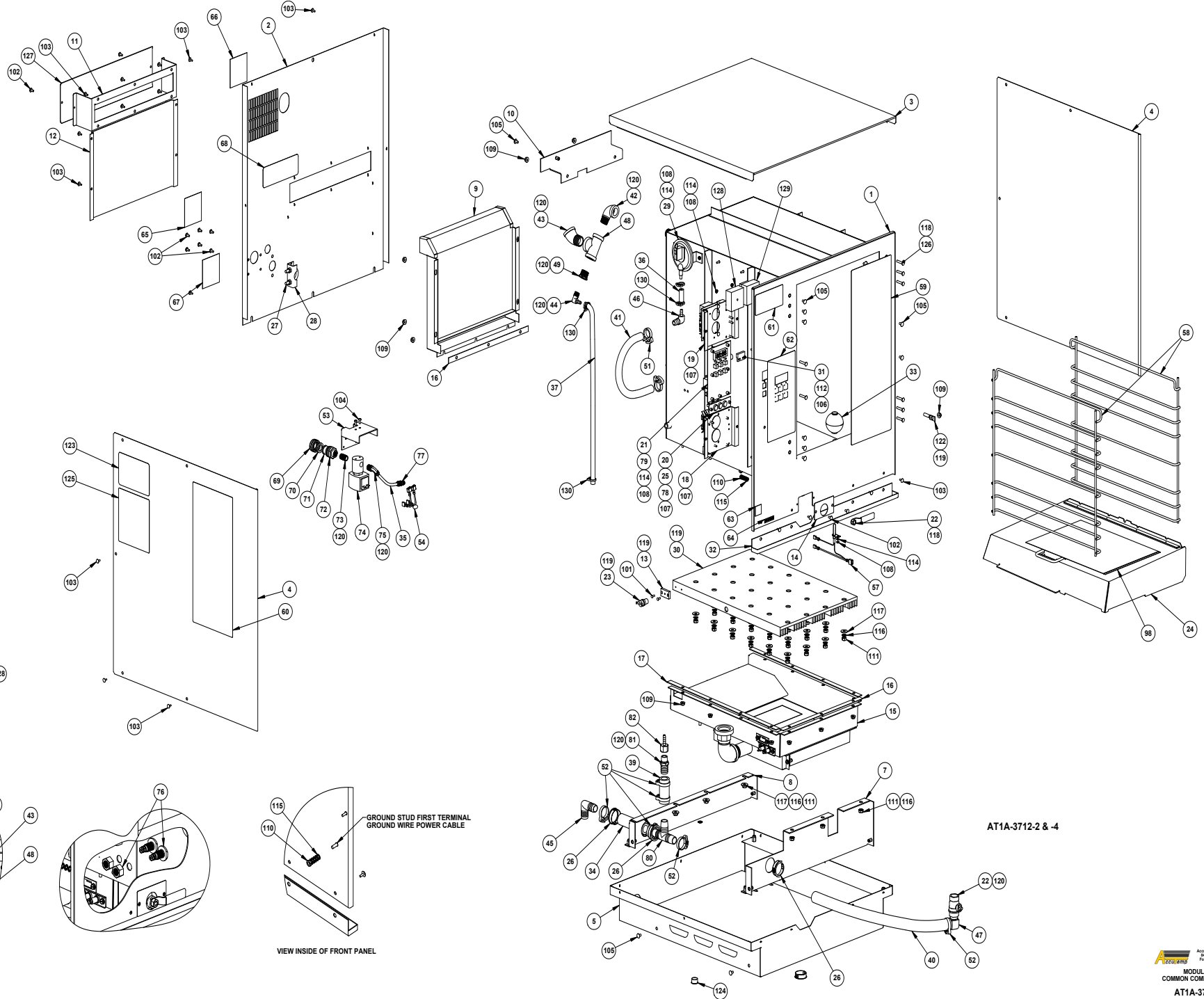
AT1A-3712-1 THRU -4
SOME COMPONENTS REMOVE FOR CLARITY

EVOLUTION GAS COMMON COMPONENTS

SP8015-1012

EVOLUTION GAS PARTS MANUAL

PAGE 8



EVOLUTION GAS COMMON COMPONENTS

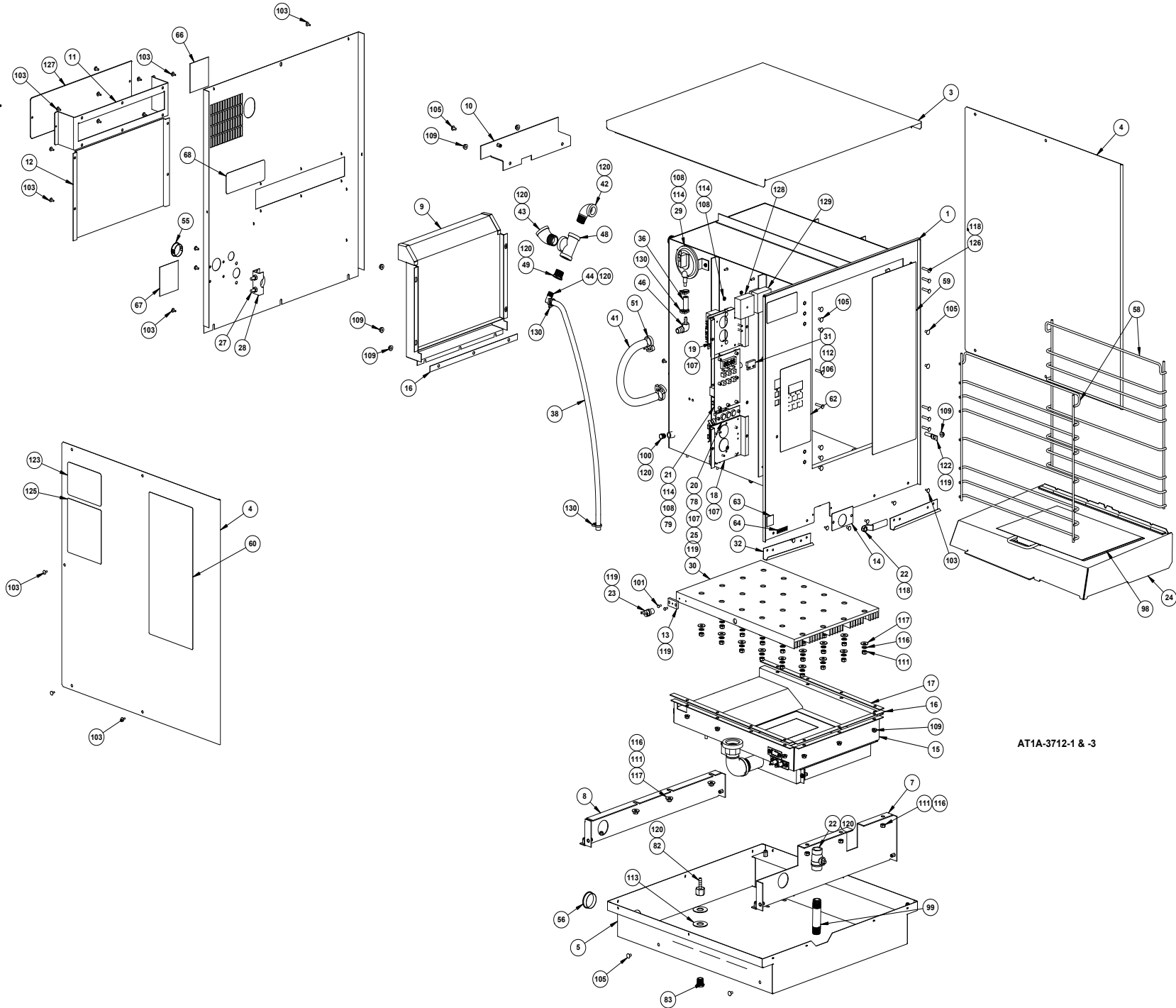
AT1A-3712-2 & -4

EVOLUTION GAS COMMON COMPONENTS

SP8015-1012

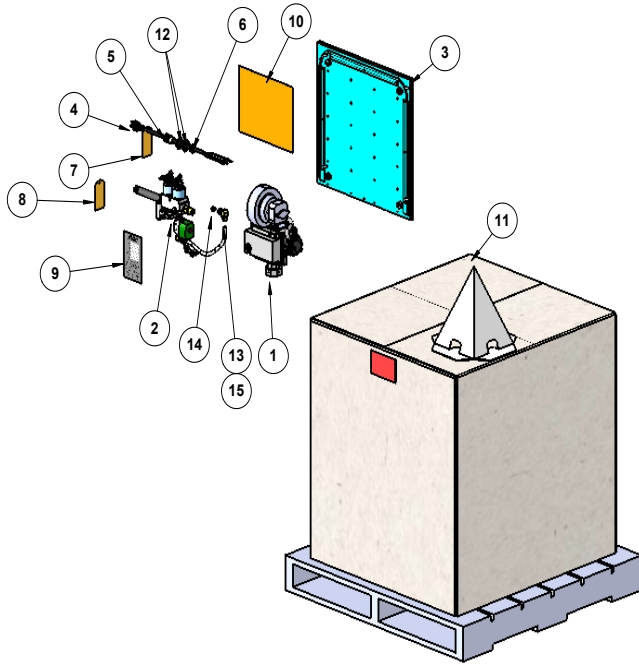
EVOLUTION GAS PARTS MANUAL

PAGE 9



EVOLUTION GAS COMMON COMPONENTS

EVOLUTION GAS VOLTAGE MODULE

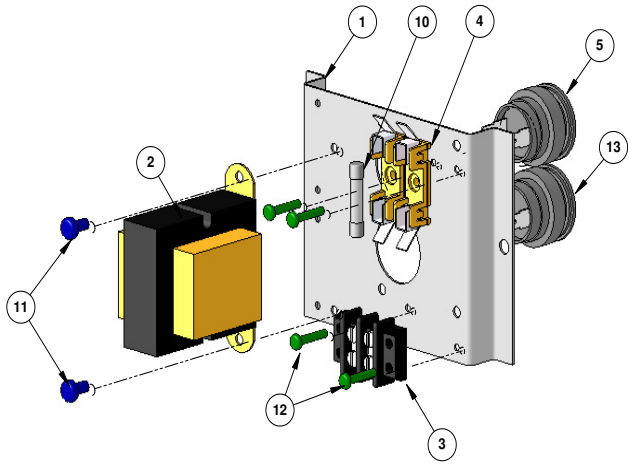


AR	AR	AR	AR	15	AT0H-3102-1	PIPE THREAD SEALANT
1	-	1	-	14	AT0B-2888-68	SPUD, ORIFICE - LP
-	1	-	1	14	AT0B-2888-60	SPUD, ORIFICE - NAT
1	1	1	1	13	AT0B-2891-1	ELBOW 90° COMPRESSION
2	2	2	2	12	AT0H-3641-3	WASHER, 3/4 X 1/2 REDUCING
1	1	1	1	11	AT1A-2806-2	PALLET BUILD STEAMER 6 PAN
1	1	1	1	10	AT1T-3736-1	SCHEMATIC, GAS STEAMER
1	1	1	1	9	AT1L-3116-4	DATA TAG, GAS STEAMER
1	1	1	1	8	AT0L-2936-2	TAG GAS REGULATOR
1	1	1	1	7	AT0L-2936-1	TAG POWER CORD
1	1	1	1	6	AT0E-2086-1	CORD GRIP LOCKNUT
1	1	1	1	5	AT0E-1049-3	CONNECTOR, 1/2" HUB STRAIN RELIEF
1	1	-	-	4	AT0A-2911-2	AC POWER CORD
-	-	1	1	4	AT0A-2911-1	AC POWER CORD
1	1	1	1	3	AT1A-3667-2	DISTRIBUTION PANEL ASSEMBLY
1	-	1	-	2	AT1A-3767-2	VALVE, PROPANE GAS TRAIN ASSEMBLY
-	1	-	1	2	AT1A-3767-1	VALVE, NATURAL GAS TRAIN ASSEMBLY
1	1	-	-	1	AT1A-3761-2	BLOWER, 120V GAS TRAIN ASSEMBLY
-	-	1	1	1	AT1A-3761-1	BLOWER, 120V GAS TRAIN ASSEMBLY
AT1A-3711-4						
AT1A-3711-3						
AT1A-3711-2						
AT1A-3711-1						
	ITEM				PART NUMBER	DESCRIPTION

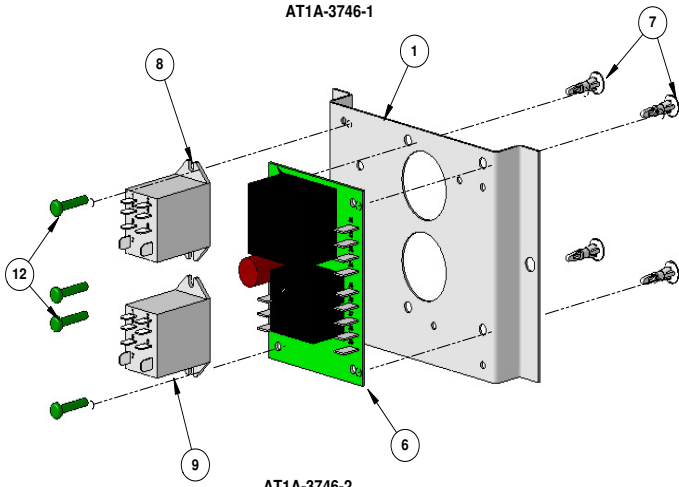


AccuTemp Products, Inc.
8416 N. Clifton Park
Fort Wayne, IN 46825

MODULE, VOLTAGE
BTUH GAS TYPE
Rev.
AT1A-3711 B



AT1A-3746-1



AT1A-3746-2

-	1	ATOE-3654-2	13	ALARM, PIEZO ELECTRIC 5-24VAC
4	4	ATOF-3620-21052	12	SCREW, #6-32UNC X 5/8" SWAGEFORM PHILLIPS PAN HEAD
-	2	ATOF-3620-40032	11	SCREW, #10-32UNF X 3/8" SWAGEFORM PHILLIPS PAN HEAD
-	1	ATOE-2731-1	10	FUSE 3 AMP 250V
1	-	ATOE-2825-6	9	GENERAL PURPOSE RELAY 24VDC
1	-	ATOE-2825-5	8	GENERAL PURPOSE RELAY 24VAC
4	-	ATOH-3407-1	7	C B SUPPORT, REVERSE MT'G.
1	-	ATOE-3230-2	6	PCB, DUAL PURPOSE WATER SENSOR
-	1	ATOE-3654-1	5	ALARM, PIEZO ELECTRIC 5-15VDC
-	1	ATOE-2708-1	4	3AG OMNI-BLOK FUSE BLOCK 2 POS
-	1	ATOE-1134-2	3	2 POSITION TERMINAL BLOCK
-	1	ATOA-2779-3	2	TRANSFORMER TERMINAL ASSEMBLY
1	1	AT1M-3747-1	1	BRACKET, COMPONENT MTG
AT1A-3746-2				
AT1A-3746-1	PART NUMBER	ITEM	DESCRIPTION	



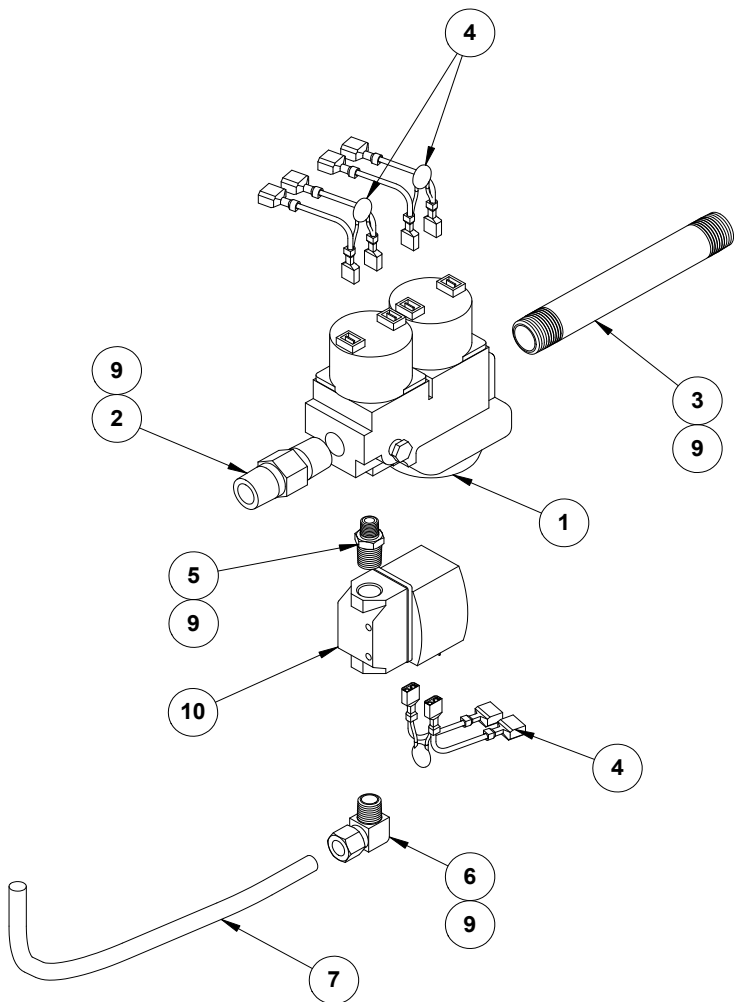
AccuTemp Products, Inc.
2415 N. Clinton Park
Fort Wayne, IN 46825

COMPONENT BRACKET
ASSEMBLY

Rev. B
AT1A-3746

EVOLUTION GAS VALVE TRAINING ASSEMBLY

NOTES:
 1. ALL PIPE THREADS TO BE SEALED WITH THREAD SEALANT OR THREAD TAPE APPROVED FOR GAS



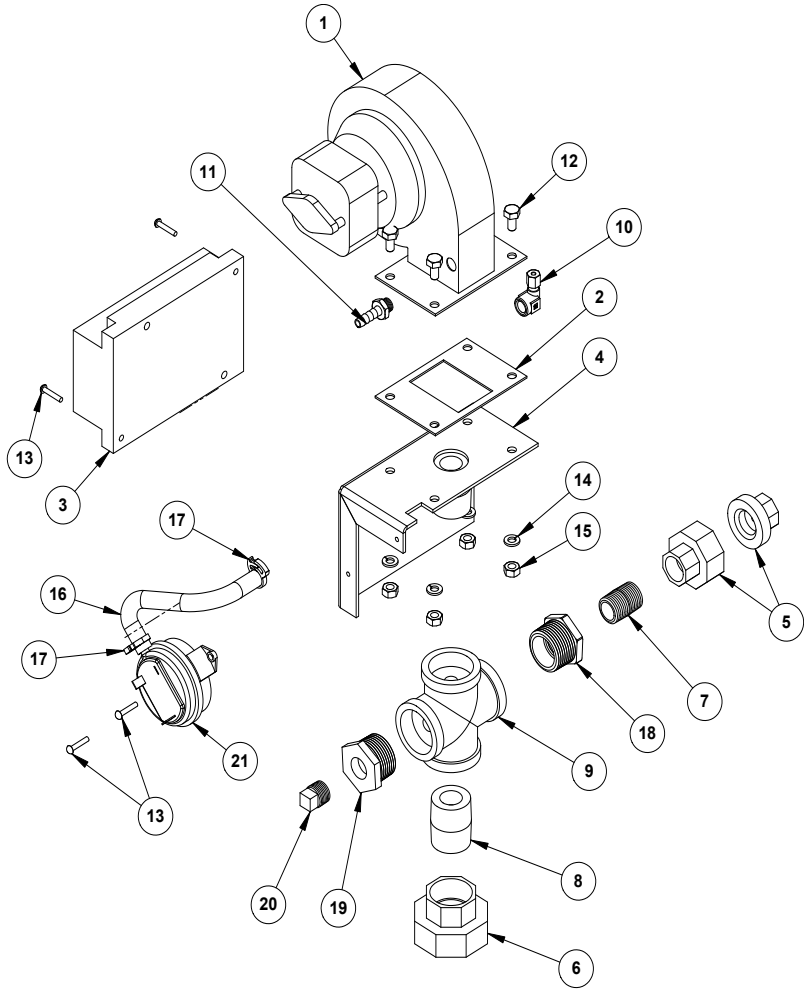
**AT1A-3767-1
&
AT1A-3767-2**

			11		
1	1	10	AT0P-3818-1	VALVE, SOLENOID GAS SHUTOFF	
AR	AR	9	AT0H-3102-1	PIPE THREAD SEALANT	
			8		
1	1	7	AT2P-2104-1	TUBING, CORRUGATED COMPRESSION FITTING	
1	1	6	AT0P-2096-2	ELBOW 90° 1/4 NPT TO 3/8 TUBE	
1	1	5	AT0P-2848-1	REDUCING HEX NIPPLE	
3	3	4	AT0A-2736-9	MOV- TERMINALS ASSEMBLY	
1	1	3	AT2P-2447-4	PIPE, 1/2" NPT X 6.0" BLACK	
1	-	2	AT0B-3758-2	ORIFICE, GAS STEAMER	
-	1	2	AT0B-3758-1	ORIFICE, GAS STEAMER	
1	-	1	AT2E-1806-3	CONTROL VALVE, GAS 10" W.C. PROPANE GAS	
-	1	1	AT2E-1806-2	CONTROL VALVE, GAS 5" W.C. NATURAL GAS	
AT1A-3767-2	AT1A-3767-1	ITEM	PART NUMBER	DESCRIPTION	

 AccuTemp Products, Inc.
 8415 N. Clinton Park
 Fort Wayne, IN 46825

**VALVE,
GAS TRAIN ASSEMBLY**
 Rev. **C**
AT1A-3767

EVOLUTION GAS BLOWER ASSEMBLY



AT1A-3761-1

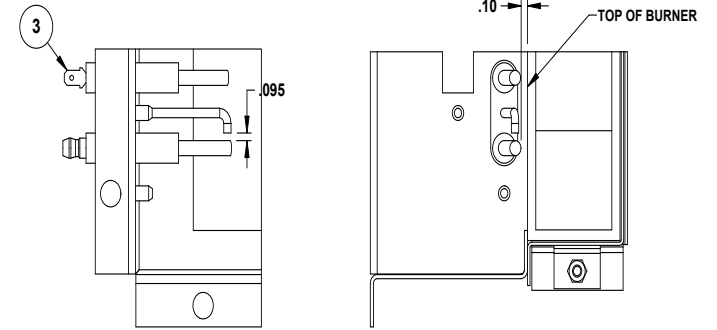
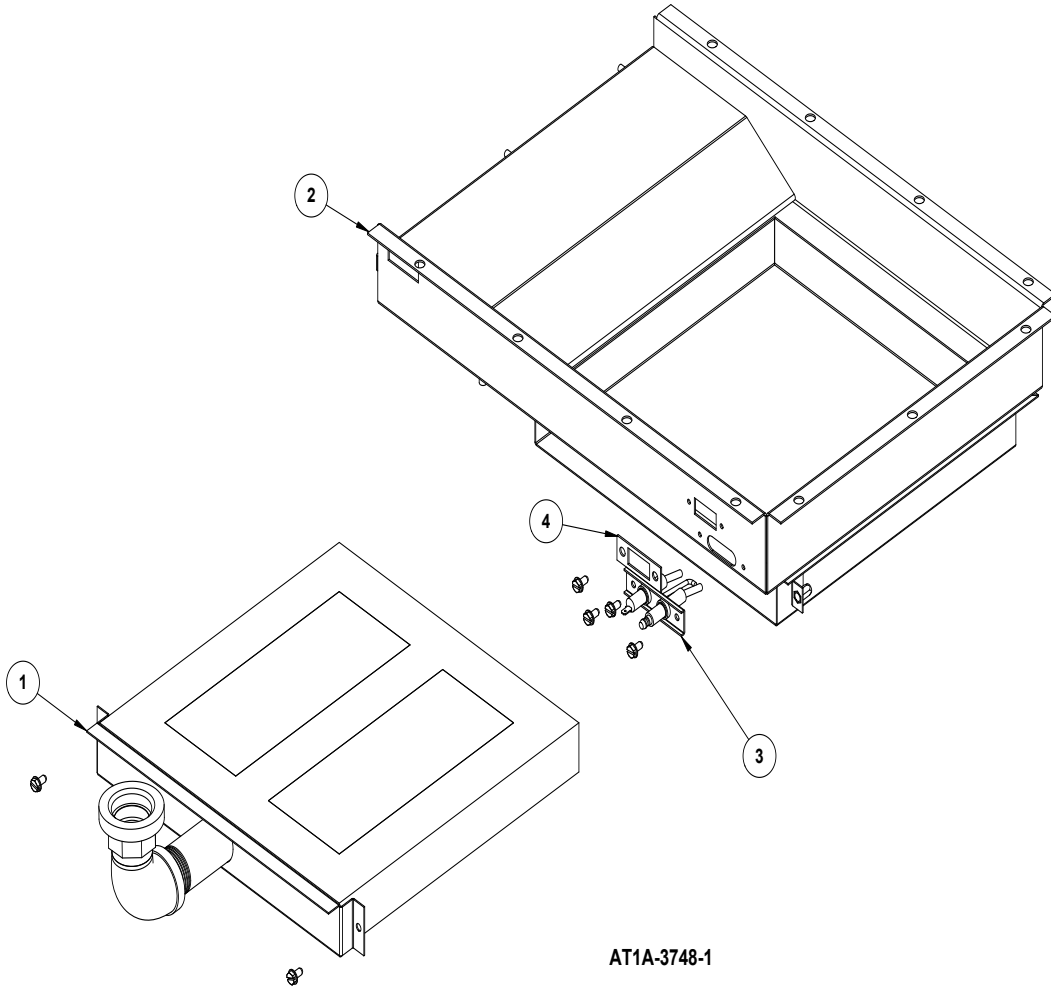
1	1	AT0E-3617-1	21	SWITCH, AIR PRESSURE
1	1	AT0P-3822-1	20	PLUG, 3/8 NPT SQUARE HEAD PIPE
1	1	AT0P-3817-2	19	1" X 3/8" HEX BUSHING
1	1	AT0P-3817-1	18	1" X 1/2" HEX BUSHING
2	2	AT0P-2714-1	17	HOSE CLAMP 1/4" ID
1	1	AT1P-2555-32062	16	SILICONE HOSE
4	4	AT0F-2778-51000	15	NUT, 1/4-20UNC-2B SS HEX MACHINE SCREW
4	4	AT0F-1922-50000	14	WASHER, 1/4" HELICAL SPRING LOCK
4	4	AT0F-2755-21062	13	SCREW, #6-32UNC x 3/4 PHILIPS ROUND HEAD MACHINE
4	4	AT0F-2875-51040	12	SCREW, 1/4-20UNC X 1/2 HEX HEAD MACHINE
1	1	AT0P-2618-5	11	FITTING, 1/8" NPT TO 1/4" HOSE BARB
1	1	AT0P-3762-1	10	ELBOW, FEMALE
1	1	AT0P-2844-2	9	CROSS, 1" NPT SCH 40
1	1	AT2P-2465-3	8	PIPE, 1" NPT CLOSE NIPPLE
1	1	AT0P-2091-4	7	CLOSE NIPPLE PIPE
1	1	AT0P-2843-2	6	UNION BLACK IRON
1	1	AT0P-2843-1	5	UNION BLACK IRON
1	1	AT1A-3744-1	4	BRACKET, BLOWER MTG ASSEMBLY
1	1	AT0E-3760-1	3	AUTOMATIC IGNITION SYSTEM
1	1		2	GASKET, BLOWER
1	-	AT0E-3759-2	1	BLOWER
-	1	AT0E-3759-1	1	BLOWER
AT1A-3761-2				
AT1A-3761-1				
		PART NUMBER	ITEM	DESCRIPTION



AccuTemp Products, Inc.
8415 N. Clinton Park
Fort Wayne, IN 46825

BLOWER,
GAS TRAIN ASSEMBLY
Rev.
AT1A-3761 B

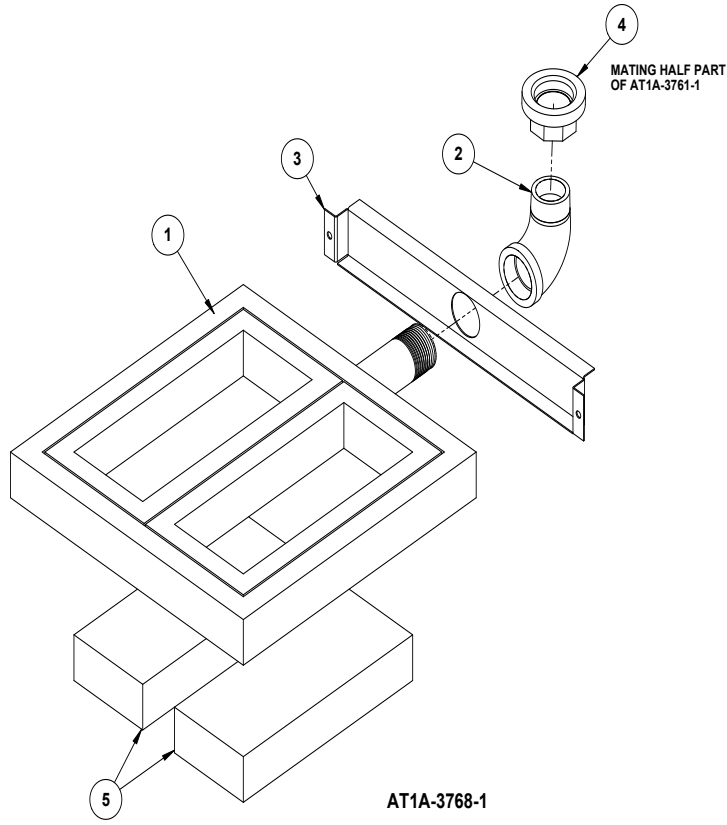
EVOLUTION GAS BURNER ASSEMBLY



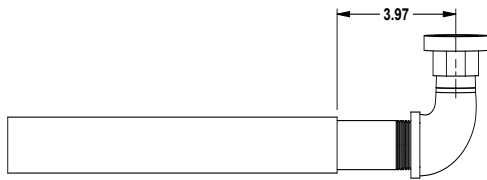
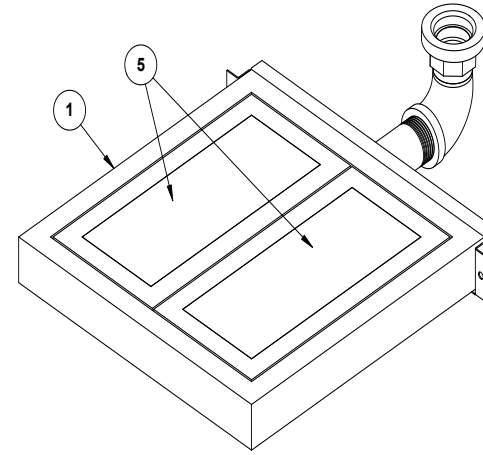
1	AT1M-3796-1	4	SITE GLASS AND HOLDER
1	AT1E-3795-1	3	IGNITOR/SENSOR PROBE ASSEMBLY
1	AT1A-3769-1	2	COMBUSTION BOX WELDMENT
1	AT1A-3768-1	1	BURNER ASSEMBLY
AT1A-3748-1	PART NUMBER	ITEM	DESCRIPTION

AccuTemp AccuTemp Products, Inc.
8415 N. Clinton Park
Fort Wayne, IN 46825

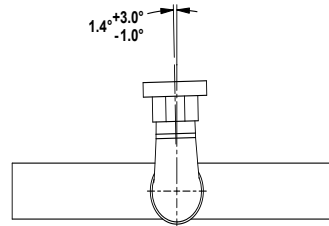
BURNER BOX ASSEMBLY
Rev. **A**
AT1A-3748



AT1A-3768-1



ITEM #3 NOT SHOWN

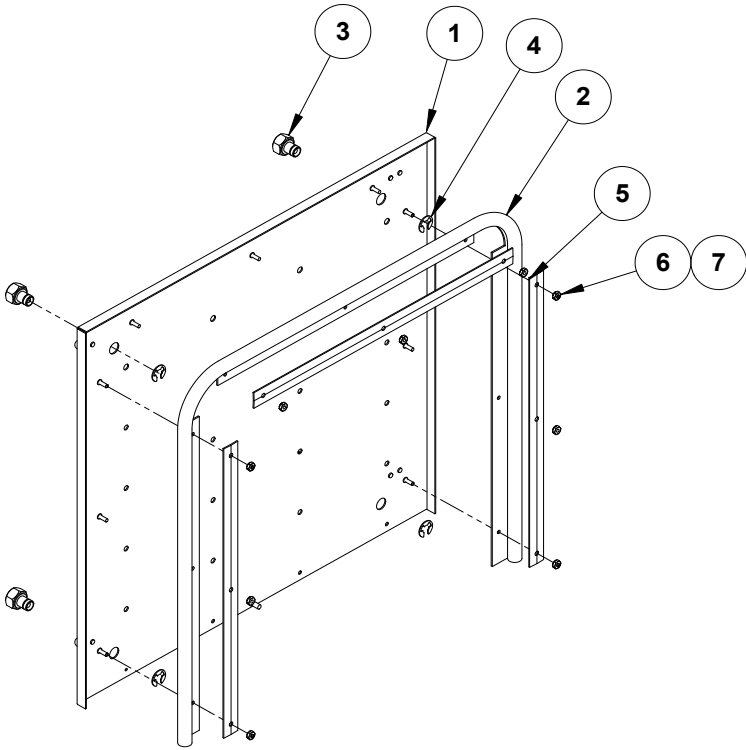


2		5	INSULATION, BURNER
1	AT0P-2843-2	4	UNION BLACK IRON
1	AT1M-3752-1	3	BRACKET, OUTSIDE BURNER SIDE COVER
1	AT0P-2089-2	2	ELBOW STREET 90° 1" NTP
1	AT0B-3763-1	1	BURNER GAS STEAMER
AT1A-3768-1	PART NUMBER	ITEM	DESCRIPTION

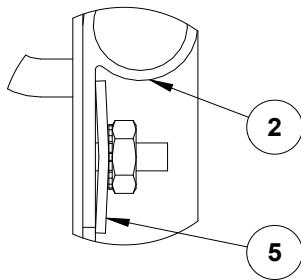


BURNER ASSEMBLY

AT1A-3768 Rev. A



AT1A-3667-1
 AT1A-3667-2
 AT1A-3667-3



**BOTTOM VIEW
 SHOWING ITEM 5
 ORIENTATION**

9	9	9	7	AT0F-2666-21006	WASHER, #6 EXTERNAL TOOTH LOCK
9	9	9	6	AT0F-2778-21007	NUT, #6-32UNC-2B BRASS HEX MACHINE SCREW
3	3	3	5	AT1M-3619-1	STRIP, GASKET HOLD DOWN
4	4	4	4	AT0F-3657-1	E-RING, RETAINING
4	4	4	3	AT0H-3656-1	KNOB
1	1	1	2	AT1G-3669-1	GASKET, DISTRIBUTION PANEL
1	-	-	1	AT1A-3603-3	DISTRIBUTION PANEL ASSEMBLY
-	1	-	1	AT1A-3603-2	DISTRIBUTION PANEL ASSEMBLY
-	-	1	1	AT1A-3603-1	DISTRIBUTION PANEL ASSEMBLY
QTY AT1A-3667-3	QTY AT1A-3667-2	QTY AT1A-3667-1	ITEM	PART NUMBER	DESCRIPTION

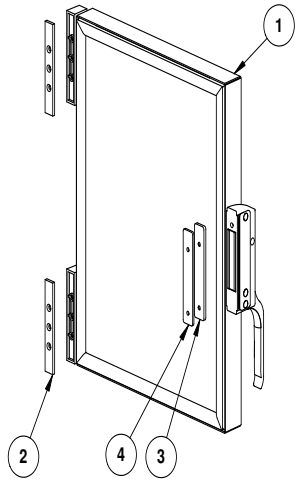


**PANEL, DISTRIBUTION
 ASSEMBLY**

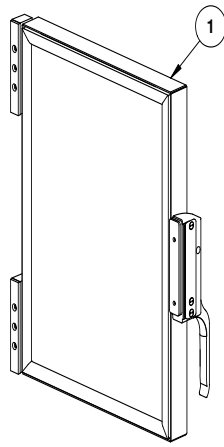
AT1A-3667

Rev.
B

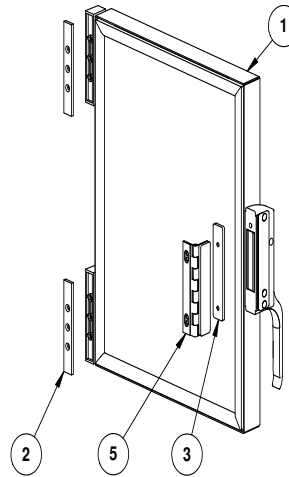
EVOLUTION DOOR MODULE CONFIGURATION



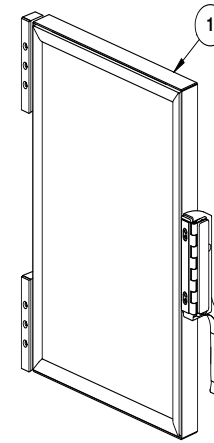
AT1A-3600-1



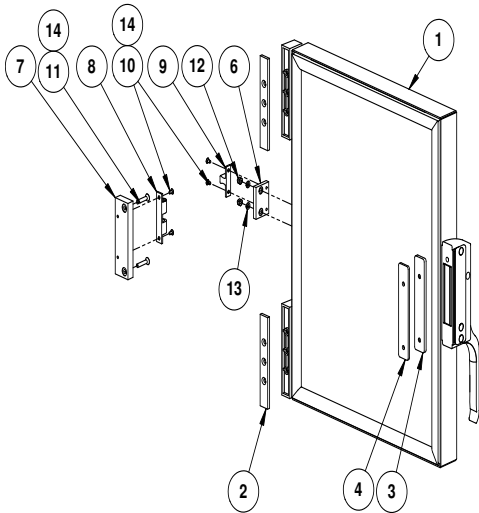
AT1A-3600-2
OTHERWISE SAME AS AT1A-3600-1



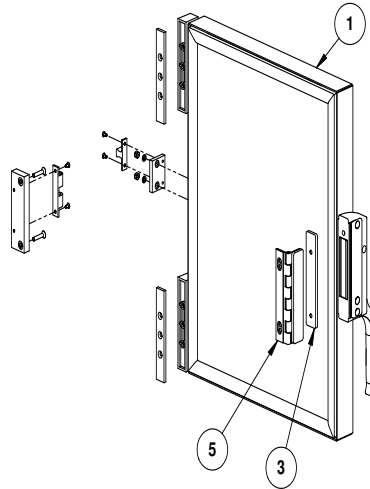
AT1A-3600-4



AT1A-3600-6
OTHERWISE SAME AS AT1A-3600-4



AT1A-3600-3



AT1A-3600-5
OTHERWISE SAME AS AT1A-3600-3

-	AR	-	AR	-	-	14	AT0H-3065-3	THREAD LOCKER 248					
-	2	-	2	-	-	13	AT0F-1922-40000	WASHER, #10 SS HELICAL SPRING LOCK					
-	2	-	2	-	-	12	AT0F-2632-41001	NUT, #10-24 ACORN					
-	2	-	2	-	-	11	AT0F-2061-41080	SCREW, #10-24 x 1" FLAT HD MACHINE					
-	4	-	4	-	-	10	AT0F-2061-21020	SCREW, #6-32 X 1/4" FLAT HEAD MACHINE					
-	1	-	1	-	-	9	AT0H-3443-3	CATCH, BALL-STYLE GRAB					
-	1	-	1	-	-	8	AT0H-3443-2	CATCH, BALL-STYLE GRAB					
-	1	-	1	-	-	7	AT1M-3670-1	PLATE, HOLD OPEN FRONT					
-	1	-	1	-	-	6	AT1M-3671-1	PLATE, HOLD OPEN DOOR					
1	1	1	-	-	-	5	AT1A-3442-1	CRACK OPEN HINGE ASSEMBLY					
-	-	-	1	1	1	4	AT1H-3609-J	LATCH - SPACER					
1	1	1	1	1	1	3	AT1H-3609-H	LATCH - STRIKE					
2	2	2	2	2	2	2	AT1M-3655-1	SPACER HINGE					
-	1	-	1	-	-	1	AT1A-3645-3	DOOR ASSEMBLY					
1	-	-	-	1	-	1	AT1A-3645-2	DOOR ASSEMBLY					
-	-	1	-	-	1	1	AT1A-3645-1	DOOR ASSEMBLY					
AT1A-3600-6	QTY	AT1A-3600-5	QTY	AT1A-3600-4	QTY	AT1A-3600-3	QTY	AT1A-3600-2	QTY	AT1A-3600-1	ITEM	PART NUMBER	DESCRIPTION



AccuTemp Products, Inc.
9415 N. Clinton Park
Fort Wayne, IN 46825

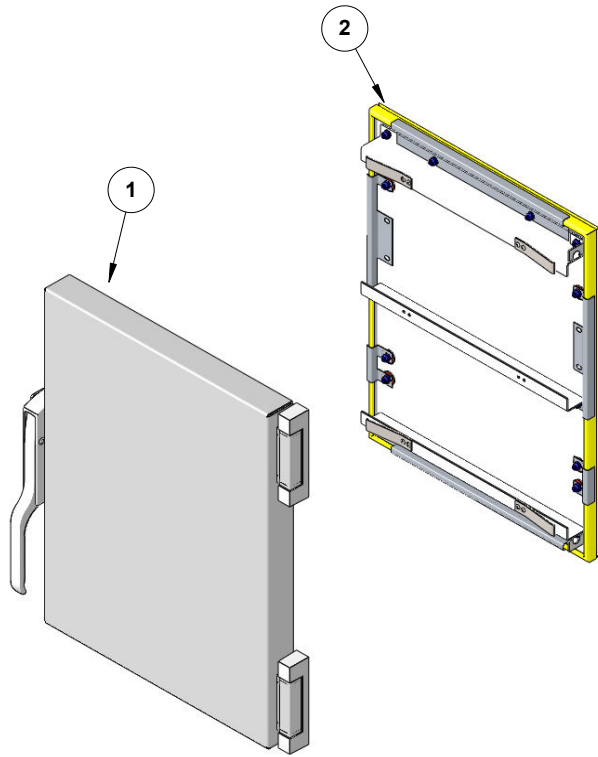
MODULE, DOOR
CONFIGURATION

Rev.

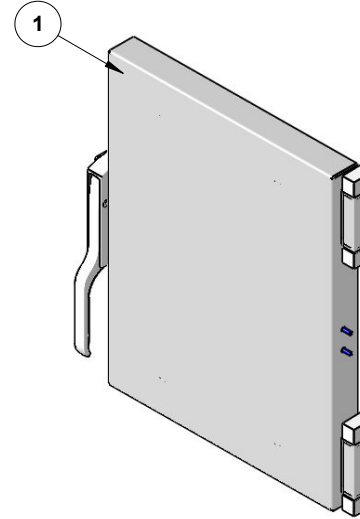
AT1A-3600

E

EVOLUTION DOOR ASSEMBLY



**AT1A-3645-1
AT1A-3645-2**



**AT1A-3645-3
OTHERWISE SAME AS AT1A-3645-1**

1	1	1	2	AT1A-3647-1	INNER DOOR ASSEMBLY
1	-	-	1	AT1A-3646-3	OUTER DOOR ASSEMBLY
-	1	-	1	AT1A-3646-2	OUTER DOOR ASSEMBLY
-	-	1	1	AT1A-3646-1	OUTER DOOR ASSEMBLY
QTY	QTY	QTY	ITEM	PART NUMBER	DESCRIPTION
AT1A-3645-3	AT1A-3645-2	AT1A-3645-1			



DOOR ASSEMBLY

AT1A-3645

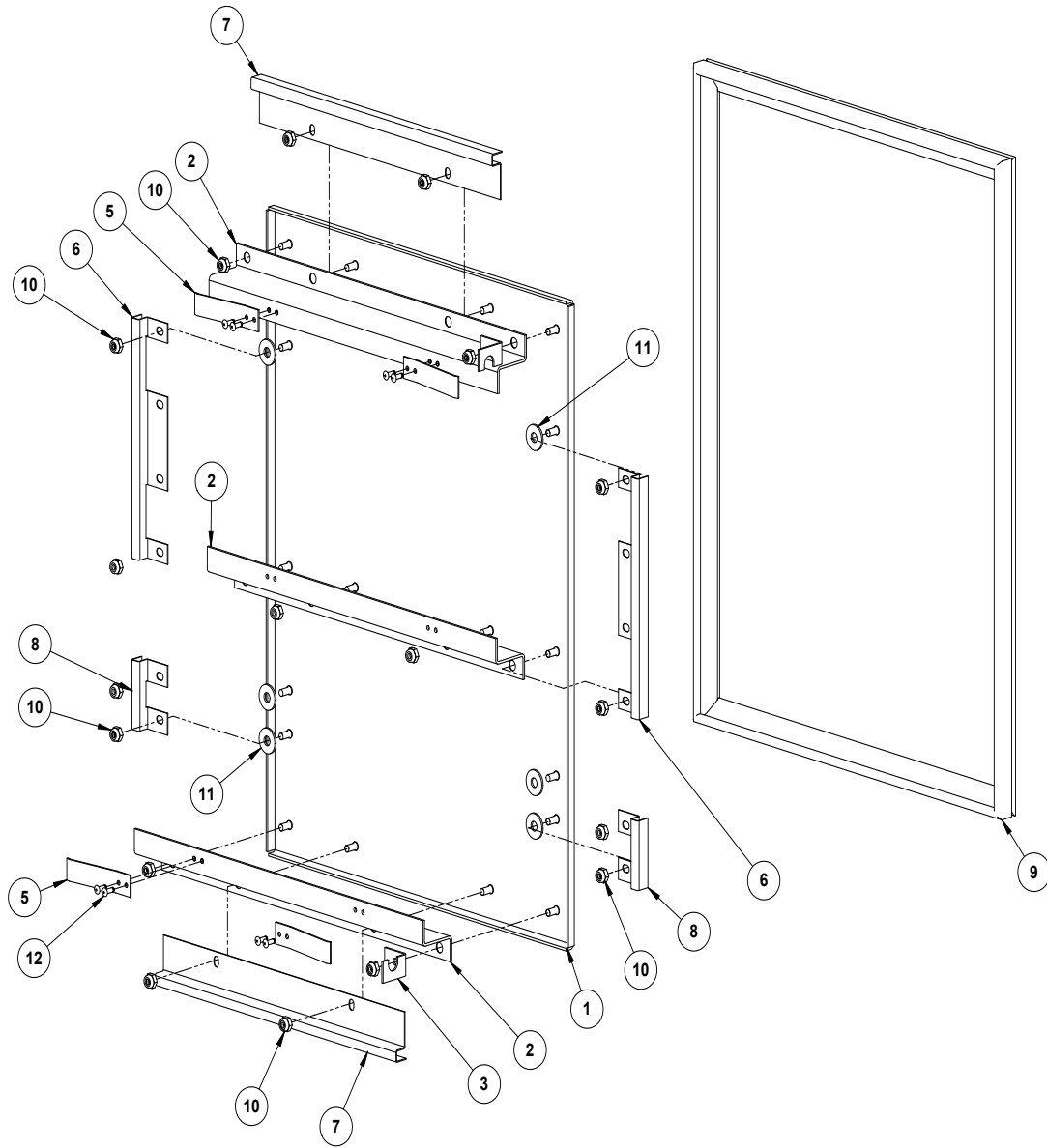
Rev.
A

EVOLUTION GAS INNER DOOR ASSEMBLY

SP8015-1012

EVOLUTION GAS PARTS MANUAL

PAGE 19



AT1A-3647-1

QTY	ITEM	PART NUMBER	DESCRIPTION
8	12	AT0F-3368-2	BLIND RIVET
6	11	AT0F-1052-51000	WASHER 1/4 TYPE B PLAIN STAINLESS STEEL
18	10	AT0F-2691-41011	NUT, #10-24 WAXED NYLOC
1	9	AT1G-2633-1	INNER DOOR GASKET (6 PAN)
2	8	AT1M-3507-1	RETAINER, SIDE SMALL DOOR GASKET
2	7	AT1M-3652-1	RETAINER, DOOR GASKET
2	6	AT1M-3524-1	RETAINER, SIDE DOOR GASKET
4	5	AT1M-3653-1	SPRING, INNER DOOR
1	4	AT1M-3466-2	BRACKET, DOOR
1	3	AT1M-3466-1	BRACKET, DOOR
3	2	AT1M-3651-1	Z BRACKET, INNER DOOR
1	1	AT1A-3649-1	PANEL, INNER DOOR WELDMENT
QTY AT1A-3647-1			



AccuTemp Products, Inc.
3415 N. Clinton Park
Fort Wayne, IN 46825

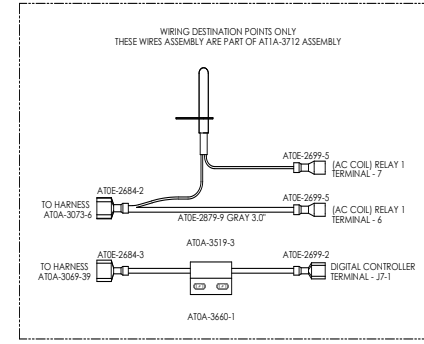
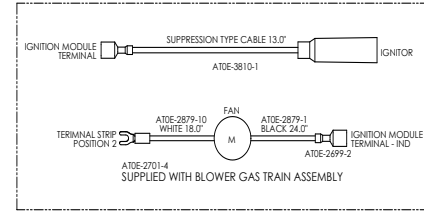
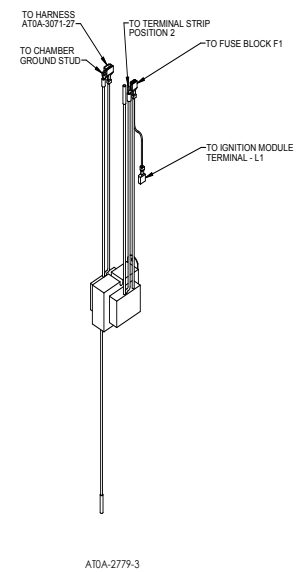
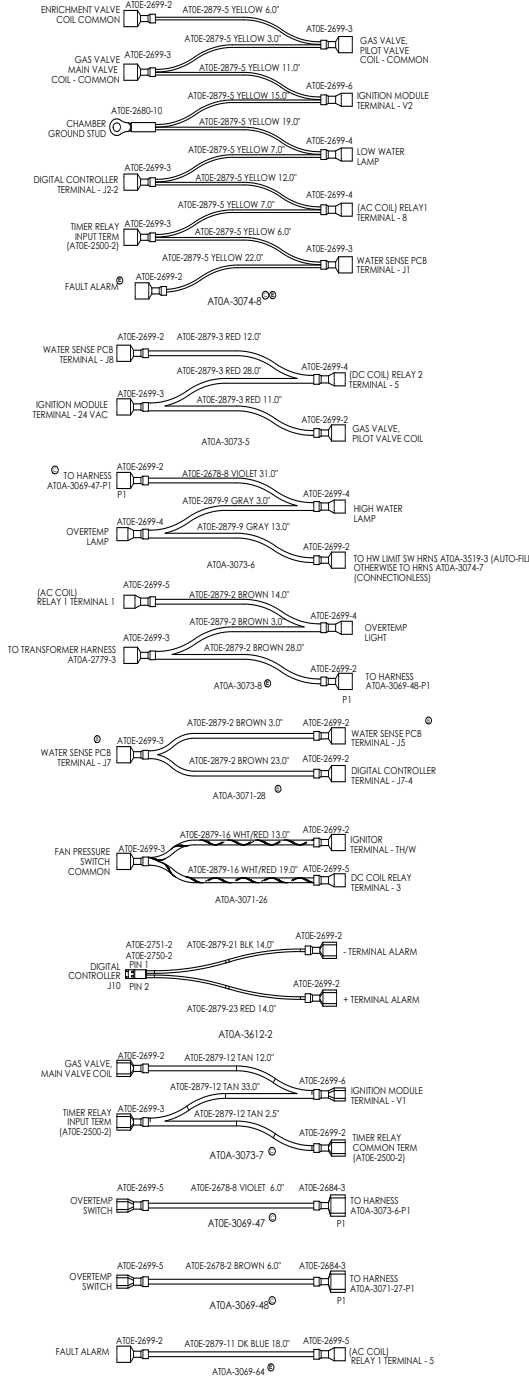
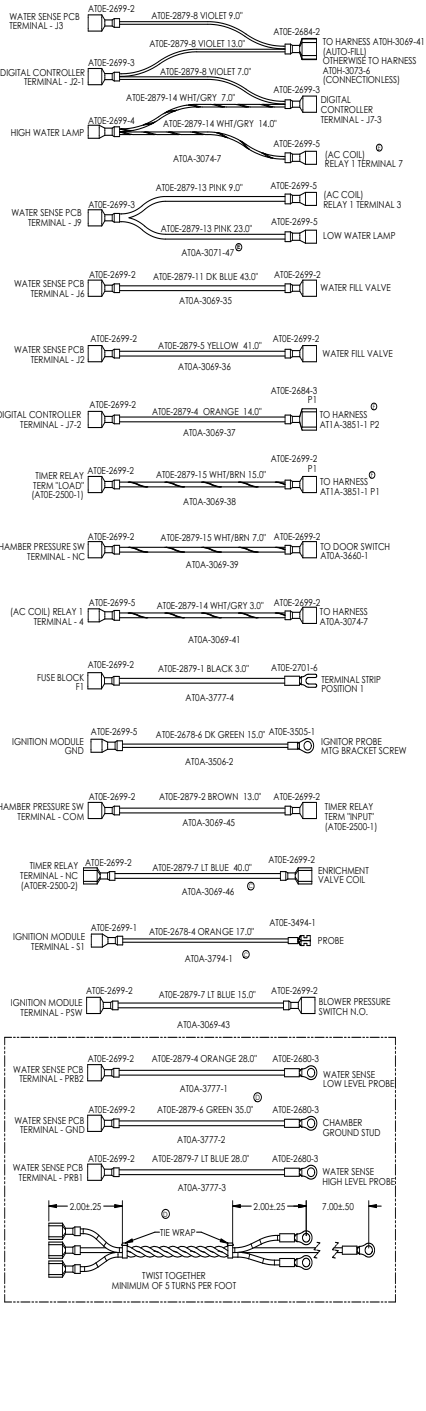
INNER DOOR

AT1A-3647 A

EVOLUTION GAS INNER DOOR ASSEMBLY

EVOLUTION GAS WIRE HARNESS ASSEMBLIES

SP8015-1012



EVOLUTION GAS PARTS MANUAL

PAGE 20

EVOLUTION GAS WIRE HARNESS ASSEMBLIES



TECHNICAL SERVICES

OFFICE	800.480.0415
FAX	260.469.3045
PARTS FAX	260.493.8914
EMAIL	service@accutemp.net
WEB SITE	www.accutemp.net