



Safe & Secure PPE Storage & Access

Metro® PPE Check-In Station

Mobile and secure storage of PPE for employee check-in or shift access.

- Convenient access to sanitizer and PPE
- Additional supplies and high value items such as infrared thermometers can be stored and secured in the unit
- Unit can be rolled to entry points or stored out of the way when not in use
- Reconfigurable and can be repurposed as needs change



Nominal Dimension

Model No.	Inches (D x W x H)	Millimeters (D x W x H)
CR243033-CKST	24 x 43 x 40	610 x 1092 x 1016

Note: Bins included with station

NSF Components

Sanitizer, Locks, and Gloves not included

Visit www.metro.com or call 1-800-992-1776.

L11-025

© 2020 InterMetro Industries Corporation, Wilkes-Barre, PA 18705



We put space to work.

an Ali Group Company



The Spirit of Excellence



We put space to work.

Item # _____

Job _____



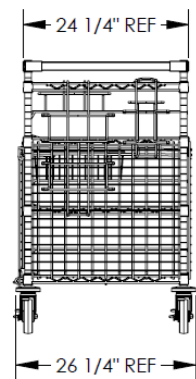
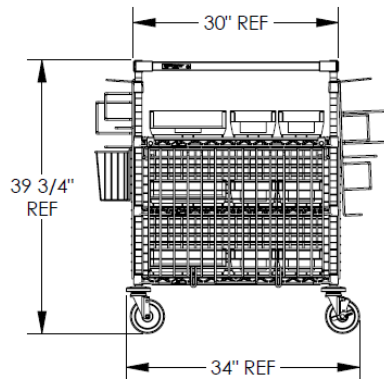
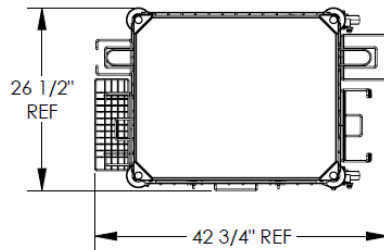
PPE Check-In Station

Metro® PPE Check-In Station

Comes with:

- (1) 2430FS - Stainless Steel Solid Shelf
- (3) 2430NC - Chrome Shelves
- (4) 33UP - Chrome Posts
- (2) H124C - Chrome Hanger Rails
- (2) 5MP - Casters
- (2) 5MPB - Caster
- (1) SECM2430NC - Security Module
- (1) GBHKK4-S - Single Glove Box Holder*
- (1) GBHKK4-T - Triple Glove Box Holder*
- (1) SHK4-1G - 1 Gallon Sanitizer Holder*
- (1) SHK4-2L - 2 Liter Sanitizer Holder*
- (6) MB30164CLN - Clear Bins
- (3) MB30174CLN - Clear Bins
- (1) H209K4 - Basket*

*Metroseal Gray with Microban®
Antimicrobial Protection



Unit Weighs: 116lbs
NSF Components

All Metro Catalog Sheets are available on our website: www.metro.com



InterMetro Industries Corporation
 North Washington Street, Wilkes-Barre, PA 18705
 Product Information. U.S. and Canada: 1.800.992.1776
 Outside U.S. and Canada: www.metro.com/contactus

Information and specifications are subject to change without notice. Please confirm at time of order.

Copyright © 2020 InterMetro Industries Corp.