



T&S BRASS AND BRONZE WORKS, INC.
 2 Saddleback Cove / P.O. Box 1088
 Travelers Rest, SC 29690

Model No.
B-0296-LN

Item No.

Travelers Rest, SC: 800-476-4103 • Simi Valley, CA: 800-423-0150 • Fax: 864-834-3518 • www.tsbrass.com



ADA Compliant

This Space for Architect/Engineer Approval

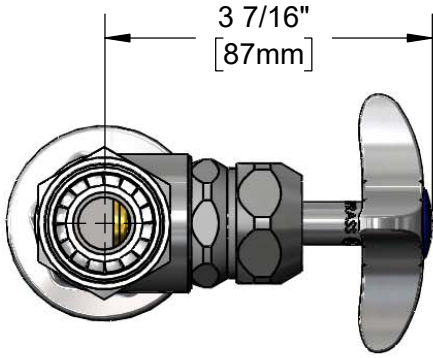
Job Name _____ Date _____

Model Specified _____ Quantity _____

Customer/Wholesaler _____

Contractor _____

Architect/Engineer _____

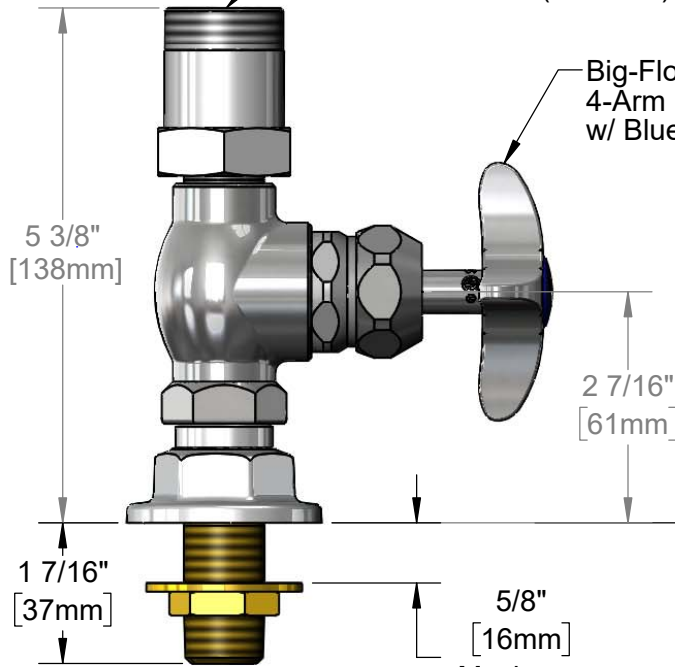


3 7/16"
[87mm]



Swivel Outlet Accepts
 T&S Big-Flo Swing Nozzles,
 Converts to Rigid w/ 016807-45
 Lock Washer (Included)

Big-Flo Cartridge &
 4-Arm Kitchen Handle
 w/ Blue Color Coded Index

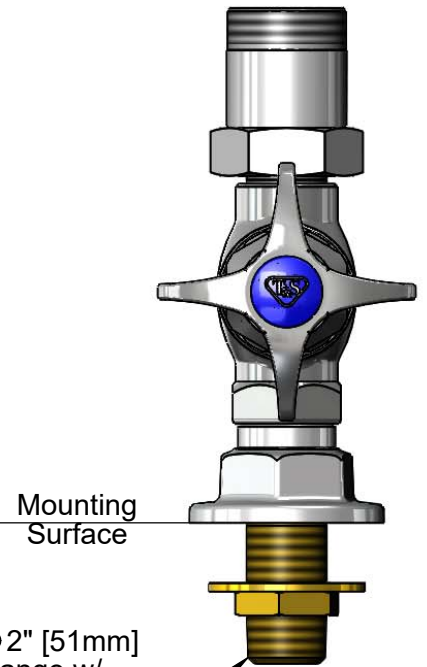


5 3/8"
[138mm]

2 7/16"
[61mm]

1 7/16"
[37mm]

5/8"
[16mm]
Maximum
Thickness



Mounting
Surface

Ø 2" [51mm]
Flange w/
1/2" NPT
Male Inlet

Rough-in Requirement:
 Ø 1" [25mm] Mounting Hole

Product Specifications:
 Single Hole Single Temperature Big-Flo Faucet Less Nozzle, 4-Arm Handle &
 1/2" NPT Supply Nipple Kit

Product Compliance:
 ASME A112.18.1 / CSA B125.1
 NSF 61 - Section 9
 NSF 372 (Low Lead Content)
 ANSI A117.1 (ADA)



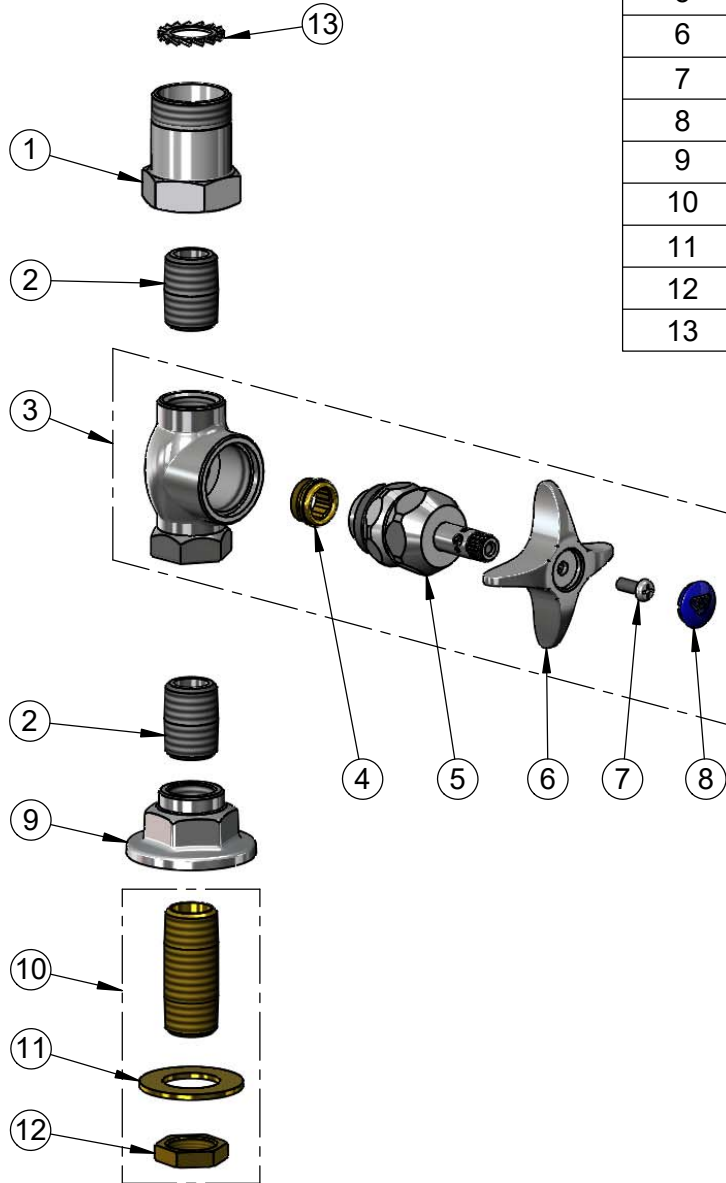
T&S BRASS AND BRONZE WORKS, INC.
 2 Saddleback Cove / P.O. Box 1088
 Travelers Rest, SC 29690

Model No.
B-0296-LN

Item No.

Travelers Rest, SC: 800-476-4103 • Simi Valley, CA: 800-423-0150 • Fax: 864-834-3518 • www.tsbrass.com

ITEM NO.	SALES NO.	DESCRIPTION
1	000594-25	Swivel Body x 1/2-14 NPT
2	002534-25	Close Nipple, 1/2" NPT
3	002900-40	Valve Assembly w/ 4-Arm Handle
4	000764-20	Seat, Big-Flo
5	006482-40NS	Big-Flo Cartridge, RTC
6	002521-45NS	4-Arm Handle (New Style)
7	000925-45	Lab Handle Screw
8	018506-19NS	Blue Button Index, Press-in
9	000013-40	Flange, 1/2" NPT Wall Mount
10	B-0425	1/2" NPT Supply Nipple Kit
11	000999-45	Brass Lock Washer
12	002954-45	Shank Lock Nut
13	016807-45	Serrated Lock Washer



Product Specifications:
 Single Hole Single Temperature Big-Flo Faucet Less Nozzle, 4-Arm Handle & 1/2" NPT Supply Nipple Kit

Product Compliance:
 ASME A112.18.1 / CSA B125.1
 NSF 61 - Section 9
 NSF 372 (Low Lead Content)
 ANSI A117.1 (ADA)