

# NXP-HTD

High Temperature Sanitizing Door-type

## Standard Features

- ▶ Built-in 70 °F (38.9 °C) rise booster heater with Sani-Sure™ final rinse system
- ▶ Automatic tank fill
- ▶ Door-actuated start
- ▶ Single 57 second wash cycle
- ▶ Top-mounted controls for ease of operation
- ▶ Delime cycle
- ▶ 17-1/4" (438 mm) vertical chamber clearance
- ▶ Specially designed stainless steel nozzles provide superior cleaning action
- ▶ Interchangeable wash/rinse arms screw out for simple cleanup
- ▶ Door switch
- ▶ 1 HP self-draining stainless steel wash pump
- ▶ Vent fan control shuts vent fan off when machine is idle
- ▶ Large scrap basket
- ▶ Single point connections for all utilities
- ▶ Field convertible from straight through to corner and vice versa (kit required)
- ▶ Field convertible from 3-phase to single-phase and vice versa (kit required)
- ▶ Low watt density electric wash tank heater
- ▶ Hi-limit thermostat and low water protection
- ▶ Detergent/rinse additive signal connection fuse box
- ▶ Uses standard 20" X 20" (508 mm X 508 mm) racks
- ▶ Adjustable stainless steel bullet feet
- ▶ Durable stainless steel construction



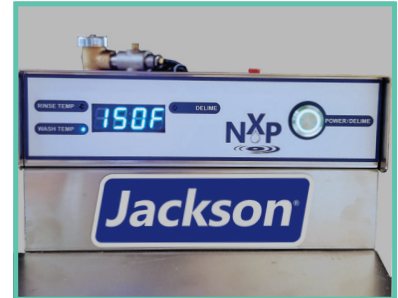
## Specification Statement

Specified unit will be a Jackson NXP-HTD high temperature sanitizing door-type dishwasher, rated by ETL Sanitation to NSF/ANSI Standard 3. Unit will be ENERGY STAR® certified. Unit to be rated for 63 racks per hour, 0.89 gallons per rack, and will include a built-in 70 °F rise booster heater with Sani-Sure™ final rinse system, one 57 second cycle, and top mounted controls. Other features include a digital LED display, automatic tank fill, delime cycle, vent fan control, interchangeable wash/rinse arms, and 1 HP stainless steel wash pump motor. Constructed of durable stainless steel with adjustable bullet feet.

**1-year parts and labor warranty.**

## Options & Accessories

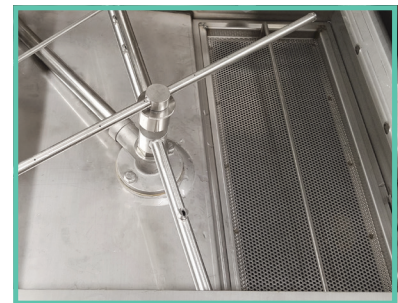
- ▶ Single Phase
- ▶ Pressure Regulator
- ▶ Drain Water Tempering Kit
- ▶ Water Hammer Arrestor
- ▶ Flanged Feet
- ▶ Door Interlock
- ▶ False Panel (for corner installations)
- ▶ Scaltril
- ▶ Replacement Cartridge for Scaltril
- ▶ 36-Compartment Rack  
4-1/8" tall (105 mm)
- ▶ 5-5/8" tall (143 mm)
- ▶ 7" tall (178 mm)
- ▶ Combination Rack
- ▶ Peg Rack



Digital LED Display



Interchangeable Wash/Rinse Arms



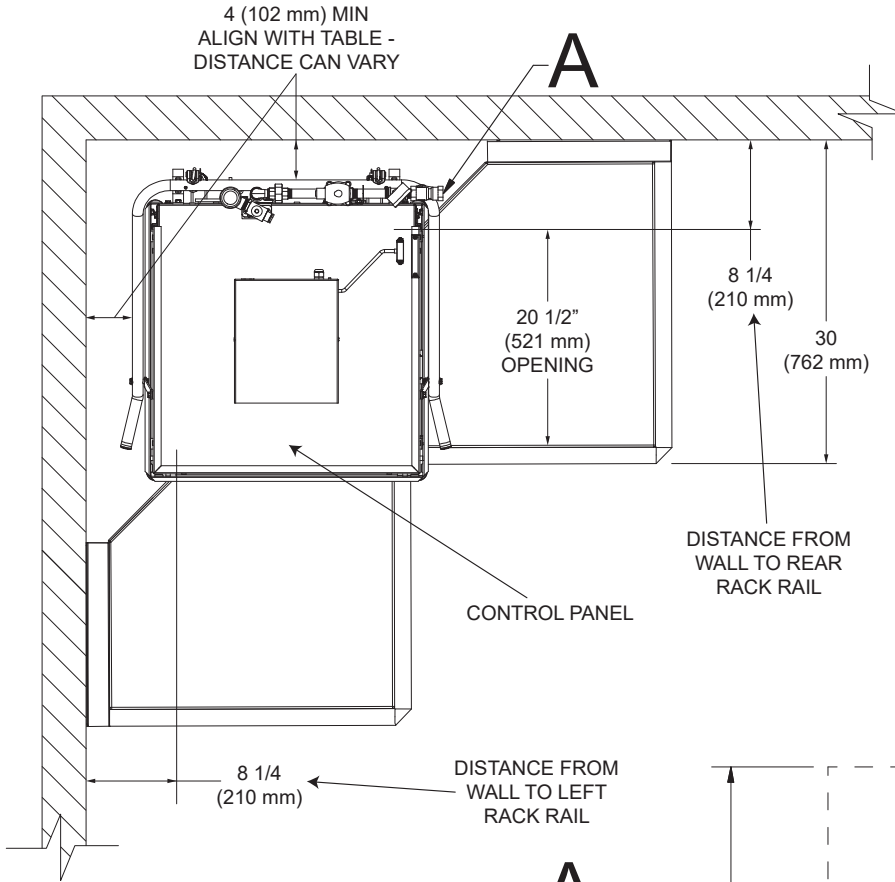
Large Scrap Basket

The NXP-HTD is a basic, high temperature sanitizing dishmachine that comes at a great price point, for an easy step-up from a low temp to a high temp machine. We call it basic, but it's far from that! It is loaded with features like Sani-Sure™ final rinse system, a delime cycle, vent fan control, digital LED display, hi-limit thermostat with low water protection, and more! It's super simple to operate, and provides first-rate results. *Clean the First Time®* results!

High Temp

0.88

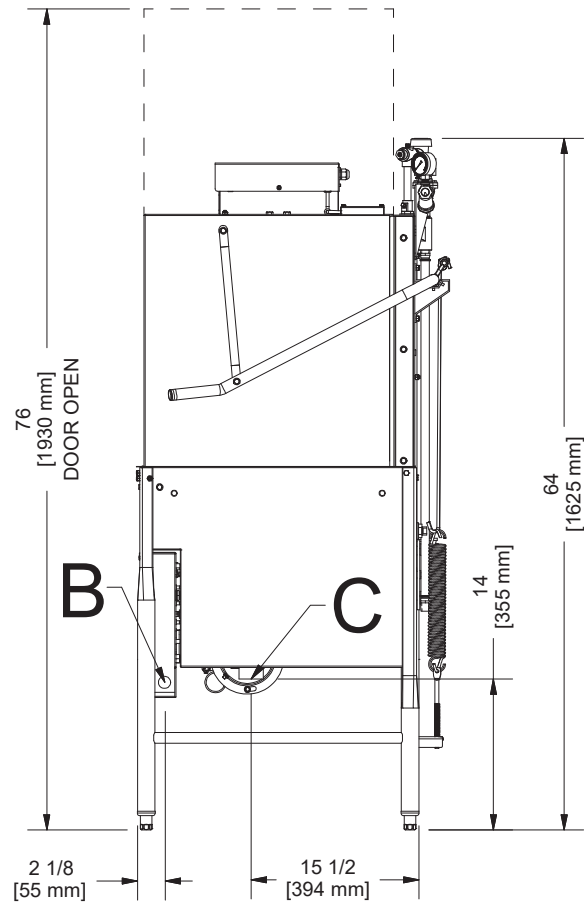
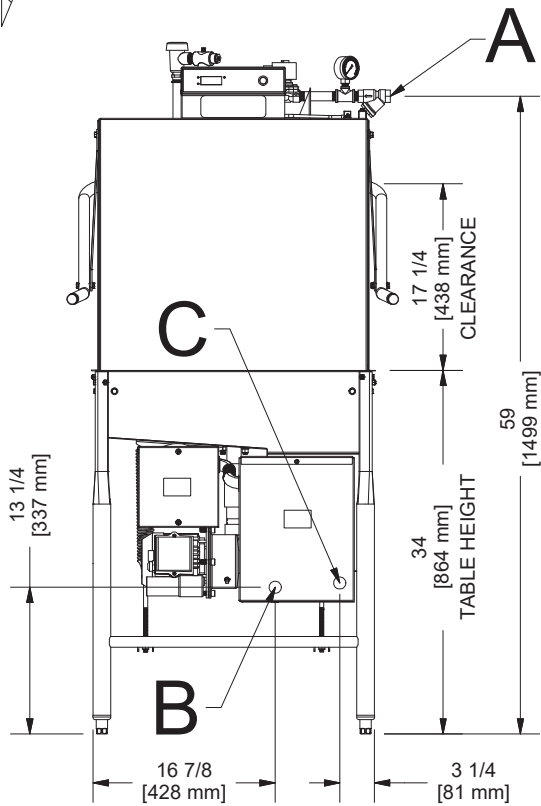
63



**LEGEND**

- A - Water Inlet (1/2" NPT)
- B - Electrical Connection Point
- C - Drain (1 1/2" NPT)

*All dimensions from the floor  
can be increased 1 1/8" using  
the machine's adjustable feet.*





Warewashing Systems

High Temperature Sanitizing Door-type

### Operating Capacity (Normal Cycle)

Racks per Hour	63 (58)*
Dishes per Hour	1,575
Glasses per Hour	2,268

### Operating Temperature

Wash Temperature (minimum)	150 °F/66 °C
Rinse Temperature (minimum)	180 °F/82 °C

### Operating Cycle (seconds)

	Wash	Rinse	Dwell	Total Cycle
Normal	40	13	04	57

### Water Consumption

Gallons per Rack	0.89 (3.4 L)
Gallons per Hour	56.07 (212.3 L)
Gallons per Hour**	51.62 (195.4 L)
Wash Tank Capacity (gallons)	8.00 (30.3 L)
Booster Tank Capacity (gallons)	2.00 (7.6 L)

### Water Requirements

Incoming Water Temperature	110 °F/43 °C
Flow Pressure (PSI)	10 ± 2
Incoming Water Connection (NPT)	1/2"
Drain Connection (ID)	1 1/2"

### Electrical Specifications

Wash Pump Motor (HP)	1
Wash Tank Heater (kW)	
208V	4.1
230V	5.0
Rinse Tank Heater (kW)	
208V	10.5
230V	12.9

Power Supply	Total Load	Minimum Circuit Ampacity	Maximum Overcurrent Protection
208/60/3	45.6 A	46.8 A	50.0 A
230/60/3	49.8 A	51.1 A	55.0 A
208/60/1	75.2 A	76.5 A	80.0 A
230/60/1	82.7 A	83.9 A	85.0 A

### Dimensions

Width	30 5/8" (779 mm)
Depth	29" (737 mm)
Height	64" (1625 mm)
Height with Door Open	76" (1930 mm)
Inside Clearance Height	17 1/4" (438 mm)
Wall Clearance	
Rear	4" (102 mm)
Side	4" (102 mm)
Drain Height	14" (355 mm)
Weight	230 lbs (104 kg)

### Shipping Details

Shipping Weight	255 lbs (116 kg)
Shipping Width	42" (1067 mm)
Shipping Depth	33" (838 mm)
Shipping Height	70" (1778 mm)
Shipping Cube	56.15 cu ft
Shipping Class	200

Advisory: Jackson WWS, Inc. DOES NOT endorse "Tankless On-Demand" water heaters for use with our dishmachines. Jackson WWS, Inc. DOES endorse, and highly recommends, standard "tank" style water heaters, sized to properly handle the water heating requirements of the facility.

\*Racks per hour calculated with NSF suggested load time of :05 for door-type dishmachines (straight through)

\*\*Gallons per hour calculated with NSF suggested load time of :05 for door type dishmachines (straight through)

## Contact Jackson

07610-004-90-31 [04/20/23]

#### Address

6209 N U.S. Highway 25E  
Gray, Kentucky 40734

#### Telephone & Fax

T 888.800.5672  
F 606.523.1799

#### Email

customer.service@jacksonwws.com



We reserve the right to change specifications in this document without incurring any obligation for equipment previously or subsequently sold.